

**The smallest baseboard on the market**

The smallest baseboard the industry has to offer is at the hands of Stelpro Design Inc.: the **ALC1B** mini architectural baseboard heater.

At just 4 1/2 in. high and 2 in. deep, this solid little heater lives up to the expectations of designers, architects and consulting engineers. Baseboard heaters can now be installed in areas where it was previously thought impossible to do so.



**{features}**

<b>color</b>	white (W) or almond (A)
<b>finish</b>	epoxy-polyester powdercoat
<b>manufacturing</b>	<ul style="list-style-type: none"> <li>· heavy-duty, 18-gauge steel cabinet</li> <li>· bottom air intake and top air discharge</li> <li>· thermal protection with automatic reset</li> <li>· full-length wireway</li> </ul>
<b>wattage &amp; voltage</b>	see the selection table
<b>element</b>	<ul style="list-style-type: none"> <li>· single tubular, stainless steel sheathed element with boxed aluminum fins for improved heat dissipation</li> <li>· securely fastened at its center, floating in nylon sleeves at each end, eliminating expansion and contraction noises</li> </ul>
<b>control</b>	<ul style="list-style-type: none"> <li>· built-in tamper-proof thermostat accessible without removing front grill - optional (not included)</li> <li>· low voltage relay kit - optional (not included)</li> </ul>
<b>installation</b>	<ul style="list-style-type: none"> <li>· surface mount</li> <li>· wall and floor mounting with pedestals - optional (not included)</li> <li>· installation at least 2 in. from the floor</li> <li>· blank sections and fillers available for a continuous effect - optional (not included)</li> </ul>
<b>warranty</b>	<ul style="list-style-type: none"> <li>· 10 years (element)</li> <li>· 1 year (unit)</li> </ul>

**{accessories}**

code	description
<b>ALC1BT12*</b>	built-in tamper-proof single pole thermostat
<b>ALC1BRE153</b>	built-in electronic low voltage relay [15 A @ 120, 208, 277 or 347 V]
<b>ALC1BRE156*</b>	built-in electronic low voltage relay [6 A @ 600 V]
<b>ALC1BRE153T*</b>	built-in electronic low voltage relay c/w transformer 24 V [15 A @ 208, 277 or 347 V]
<b>ALC1BR841C1151*</b>	built-in mechanical low voltage relay c/w transformer 24 V [6000 W @ 600 V]
<b>PK1*</b>	pedestal kit (kit of two)
<b>ALC1BJS*</b>	joiner strip (2 in.)
<b>ALC1BIC90*</b>	inside corner (back measures 5 7/8" long on each side)
<b>ALC1BOC90*</b>	outside corner (back measures 5 7/8" long on each side)
<b>ALC1BCB**</b>	clean back (fully finished, no mounting holes or knockouts)

electronic relays can receive a pulsed or on/off signal

\* add **W** for white or **A** for almond

\* factory installed

\* factory installation is strongly recommended



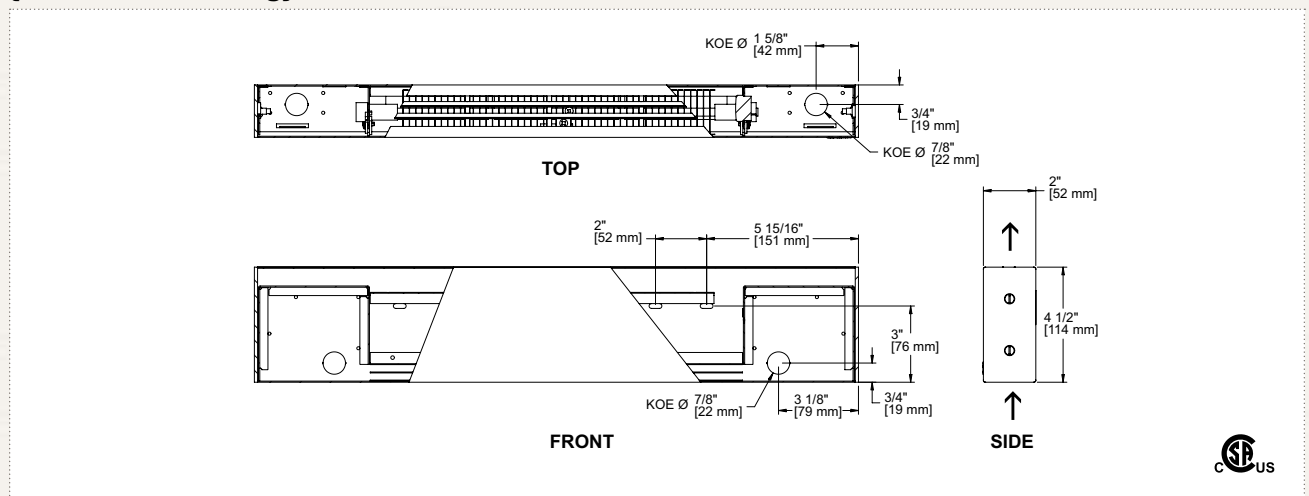
pages 90 to 96  
wall thermostats &  
accessories

**{selection table}**

150 W density per linear foot		voltage		width		weight	
code	watts	volts	mm	in.	kg	lb	
ALC1B6038	300	208	600	23 5/8	6.4	14	
ALC1B6032	300	240	600	23 5/8	6.4	14	
---	300	277	600	23 5/8	6.4	14	
---	300	347	600	23 5/8	6.4	14	
---	300	480	600	23 5/8	6.4	14	
---	300	600	600	23 5/8	6.4	14	
ALC1B9048	450	208	900	35 7/16	9.1	20	
ALC1B9042	450	240	900	35 7/16	9.1	20	
ALC1B9047	450	277	900	35 7/16	9.1	20	
ALC1B9043	450	347	900	35 7/16	9.1	20	
---	450	480	900	35 7/16	9.1	20	
---	450	600	900	35 7/16	9.1	20	
ALC1B12068	600	208	1200	47 1/4	13.6	30	
ALC1B12062	600	240	1200	47 1/4	13.6	30	
ALC1B12067	600	277	1200	47 1/4	13.6	30	
ALC1B12063	600	347	1200	47 1/4	13.6	30	
---	600	480	1200	47 1/4	13.6	30	
---	600	600	1200	47 1/4	13.6	30	
ALC1B15078	750	208	1500	59 1/16	16.8	37	
ALC1B15072	750	240	1500	59 1/16	16.8	37	
ALC1B15077	750	277	1500	59 1/16	16.8	37	
ALC1B15073	750	347	1500	59 1/16	16.8	37	
ALC1B15075	750	480	1500	59 1/16	16.8	37	
ALC1B15076	750	600	1500	59 1/16	16.8	37	
ALC1B18098	900	208	1800	70 7/8	20.0	44	
ALC1B18092	900	240	1800	70 7/8	20.0	44	
ALC1B18097	900	277	1800	70 7/8	20.0	44	
ALC1B18093	900	347	1800	70 7/8	20.0	44	
ALC1B18095	900	480	1800	70 7/8	20.0	44	
ALC1B18096	900	600	1800	70 7/8	20.0	44	
ALC1B21108	1050	208	2100	82 11/16	23.1	51	
ALC1B21102	1050	240	2100	82 11/16	23.1	51	
ALC1B21107	1050	277	2100	82 11/16	23.1	51	
ALC1B21103	1050	347	2100	82 11/16	23.1	51	
ALC1B21105	1050	480	2100	82 11/16	23.1	51	
ALC1B21106	1050	600	2100	82 11/16	23.1	51	
ALC1B24128	1200	208	2400	94 1/2	26.7	59	
ALC1B24122	1200	240	2400	94 1/2	26.7	59	
ALC1B24127	1200	277	2400	94 1/2	26.7	59	
ALC1B24123	1200	347	2400	94 1/2	26.7	59	
ALC1B24125	1200	480	2400	94 1/2	26.7	59	
ALC1B24126	1200	600	2400	94 1/2	26.7	59	
ALC1B27148	1350	208	2700	106 5/16	26.7	59	
ALC1B27142	1350	240	2700	106 5/16	26.7	59	
ALC1B27147	1350	277	2700	106 5/16	26.7	59	
ALC1B27143	1350	347	2700	106 5/16	26.7	59	
ALC1B27145	1350	480	2700	106 5/16	26.7	59	
ALC1B27146	1350	600	2700	106 5/16	26.7	59	

add W for white or A for almond.  
 --- not available

**{technical drawing}**



**ALC1B**

