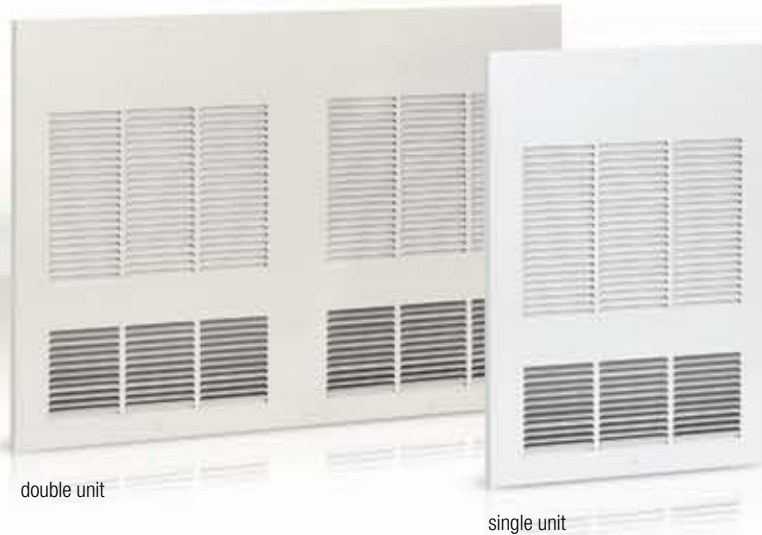


Heat from above

Designed for a ceiling installation, the **CF** forced-air ceiling heater pushes the heat down. Ideal for glassed-in vestibules and lobbies that cannot accommodate a wall installation.



double unit

single unit

{features}

color	white (W) or almond (A)
finish	epoxy-polyester powdercoat
manufacturing	<ul style="list-style-type: none"> - 20-gauge steel cabinet - 18-gauge steel grilles - fan : <ul style="list-style-type: none"> - 1 x 160 cfm (single unit) - 2 x 160 cfm (double unit) - thermal protection with automatic reset
wattage & voltage	see the selection table
element	open-coil, nichrome element producing instant heat
control	see the selection table
installation	<ul style="list-style-type: none"> - ceiling - recessed or surface-mounted with surface adapter - optional (not included)
warranty	<ul style="list-style-type: none"> - 10 years (element) - 1 year (unit)

{accessories}

code	description
WFT1	built-in single pole thermostat
WFT2	built-in double pole thermostat
WFSA1*	surface adapter (single unit)
WFSA2*	surface adapter (double unit)
CFTBA1*	T-Bar adapter (single unit)
CFTBA2*	T-Bar adapter (double unit)

* add **W** for white or **A** for almond

 **a ceiling heating source**
increases comfort and safety levels

 **pages 90 to 96**
wall thermostats & accessories



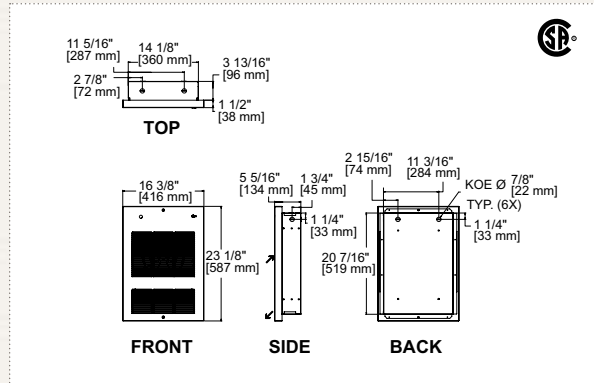
{selection table}

without control	built-in thermostat	240 V contactor	240 V contactor & built-in thermostat	24 V control	power	voltage	phase	power	weight	model	
code	code	code	code	code	watts	volts	nb.	btu/h	kg	lb	unit
CF1502	CF1502T	CF1502C	---	CF1502C24	1500/1125	240/208	1	5120	9	20	single
CF1508	CF1508T	CF1508C	---	CF1508C24	1500	208	1	5120	9	20	single
CF1507	CF1507T	CF1507C	---	CF1507C24	1500	277	1	5120	9	20	single
---	CF1503T	CF1503C	---	CF1503C24	1500	347	1	5120	9	20	single
---	CF1505T	CF1505C	---	CF1505C24	1500	480	1	5120	9	20	single
---	CF1506T	CF1506C	---	CF1506C24	1500	600	1	5120	10	22	single
CF2002	CF2002T	CF2002C	---	CF2002C24	2000/1500	240/208	1	6826	9	20	single
CF2008	CF2008T	CF2008C	---	CF2008C24	2000	208	1	6826	9	20	single
CF2007	CF2007T	CF2007C	---	CF2007C24	2000	277	1	6826	9	20	single
---	CF2003T	CF2003C	---	CF2003C24	2000	347	1	6826	9	20	single
---	CF2005T	CF2005C	---	CF2005C24	2000	480	1	6826	9	20	single
---	CF2006T	CF2006C	---	CF2006C24	2000	600	1	6826	10	22	single
CF3002	CF3002T	CF3002C	---	CF3002C24	3000/2250	240/208	1	10239	9	20	single
CF3008	CF3008T	CF3008C	---	CF3008C24	3000	208	1	10239	9	20	single
CF3007	CF3007T	CF3007C	---	CF3007C24	3000	277	1	10239	9	20	single
---	CF3003T	CF3003C	---	CF3003C24	3000	347	1	10239	9	20	single
---	CF3005T	CF3005C	---	CF3005C24	3000	480	1	10239	9	20	single
---	CF3006T	CF3006C	---	CF3006C24	3000	600	1	10239	10	22	single
CF4002	CF4002T	CF4002C	---	CF4002C24	4000/3000	240/208	1	13652	9	20	single
CF4008	CF4008T	CF4008C	---	CF4008C24	4000	208	1	13652	9	20	single
CF4007	CF4007T	CF4007C	---	CF4007C24	4000	277	1	13652	9	20	single
---	CF4003T	CF4003C	---	CF4003C24	4000	347	1	13652	9	20	single
---	CF4005T	CF4005C	---	CF4005C24	4000	480	1	13652	9	20	single
---	CF4006T	CF4006C	---	CF4006C24	4000	600	1	13652	10	22	single
---	CF6002T	CF6002C	---	CF6002C24	6000/4500	240/208	1	20478	18	40	double
---	---	CF6008C	CF6008CT	CF6008C24	6000	208	1	20478	18	40	double
---	CF6007T	CF6007C	---	CF6007C24	6000	277	1	20478	18	40	double
---	CF6003T	CF6003C	---	CF6003C24	6000	347	1	20478	18	40	double
---	CF6005T	CF6005C	---	CF6005C24	6000	480	1	20478	18	40	double
---	CF6006T	CF6006C	---	CF6006C24	6000	600	1	20478	20	44	double
---	---	CF8002C	CF8002CT	CF8002C24	8000/6000	240/208	1	27304	18	40	double
---	---	CF8008C	CF8008CT	CF8008C24	8000	208	1	27304	18	40	double
---	---	CF8007C	CF8007CT	CF8007C24	8000	277	1	27304	18	40	double
---	---	CF8003C	CF8003CT	CF8003C24	8000	347	1	27304	18	40	double
---	---	CF8005C	CF8005CT	CF8005C24	8000	480	1	27304	18	40	double
---	---	CF8006C	CF8006CT	CF8006C24	8000	600	1	27304	20	44	double

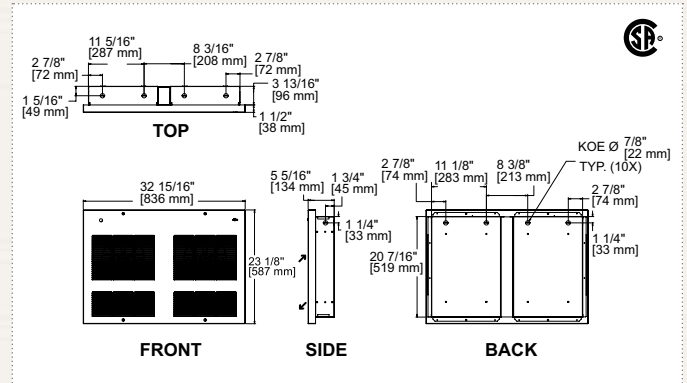
add **W** for white or **A** for almond
 --- not available

{technical drawings}

single unit



double unit



CF