



A discreet way to heat

More and more, open-concept living is what people are looking for in their new homes and even in their old homes. The walls are coming down and being replaced by bright, wide-open spaces.

Where do we put the heaters, you ask? The answer is the kick-space. The **Kick Space Heater** sneaks under kitchen cabinets, bathroom vanities and even into stair risers.

Comfortable, forced-air heating from a most unexpected source.

{features}

color	white (W) or almond (A)
finish	epoxy-polyester powdercoat
manufacturing	<ul style="list-style-type: none"> · 22-gauge steel cabinet · quiet, 80 cfm capacity · thermal protection with automatic reset · added thermal protection with fuse link (must be replaced after blow-out)
wattage & voltage	see the selection table
element	tubular element sheathed with spiral-wound fins for improved heat dissipation
control	<ul style="list-style-type: none"> · thermostat mural (not included) · built-in thermostat (not included)
installation	recessed with trim frame (included)
warranty	1 year

{selection table}

product code	power watts	voltage volts	weight	
			kg	lb
CH0501	500	120	5.9	13
CH0502	500/375	240/208	5.9	13
CH1001	1000	120	5.9	13
CH1002	1000/750	240/208	5.9	13

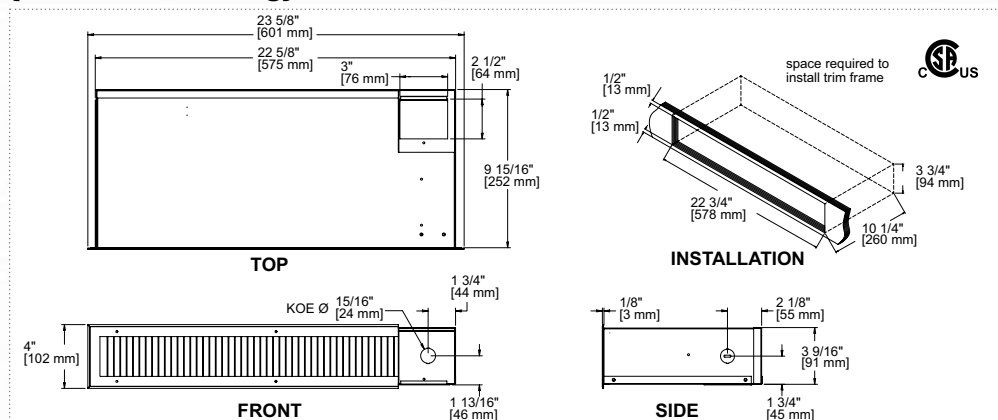
add W for white or A for almond

{accessories}

code	description
CHT1	built-in single pole thermostat
CHT2	built-in double pole thermostat

add W for white or A for almond

{technical drawing}



pages 90 to 96
wall thermostats &
accessories