

**A powerful sloped top cabinet convector**

The **CWS1000** is the ideal choice for heating large areas requiring a higher than normal heat-loss recovery. With its high power density of 1000 W per linear foot, engineers, architects and designers who have the task of heating large spaces with high ceilings but little room to install heaters, will highly appreciate this heater.

Its sloped top adds dimension to an already dynamic design and limits the chances that it will be sat on, stepped on, or used as a shelf.

A powerful performer, the **CWS1000** heats by natural convection, so you don't have to worry about noise.



**{features}**

<b>color</b>	white (W) or almond (A)
<b>finish</b>	epoxy-polyester powdercoat
<b>manufacturing</b>	<ul style="list-style-type: none"> <li>· 18-gauge steel cabinet</li> <li>· 16-gauge steel front panel</li> <li>· 13-gauge extruded aluminum grills</li> <li>· front air intake and top air discharge</li> <li>· thermal protection with automatic reset</li> <li>· full-length wireway (double wireway optional)</li> </ul>
<b>wattage &amp; voltage</b>	see the selection table
<b>element</b>	<ul style="list-style-type: none"> <li>· four tubular elements, stainless steel sheathed with boxed aluminum fins for improved heat dissipation</li> <li>· securely fastened at their centers, floating in nylon sleeves at each end, eliminating expansion and contraction noises</li> </ul>
<b>control</b>	<ul style="list-style-type: none"> <li>· built-in tamper-proof thermostat accessible without removing front grill - optional (not included)</li> <li>· low voltage relay kit - optional (not included)</li> </ul>
<b>installation</b>	<ul style="list-style-type: none"> <li>· surface mount</li> <li>· wall and floor mounting with pedestals - optional (not included)</li> <li>· wiring compartments at both ends of unit</li> <li>· blank sections and fillers available for a continuous effect - optional (not included)</li> </ul>
<b>warranty</b>	<ul style="list-style-type: none"> <li>· 10 years (element)</li> <li>· 1 year (unit)</li> </ul>

**{accessories}**

code	description
<b>CWS1000T12*</b>	built-in tamper-proof single pole thermostat
<b>CWS1000T22*</b>	built-in tamper-proof double pole thermostat
<b>CWS1000RE153*</b>	built-in electronic low voltage relay [15 A @ 120, 208, 277 or 347 V]
<b>CWS1000RE156*</b>	built-in electronic low voltage relay [6 A @ 600 V]
<b>CWS1000RE153T*</b>	built-in electronic low voltage relay c/w transformer 24 V [15 A @ 208, 277 or 347 V]
<b>CWS1000R841C1011*</b>	built-in mechanical low voltage relay c/w transformer 24 V [5000 W @ 208 V]
<b>CWS1000R841C1029*</b>	built-in mechanical low voltage relay c/w transformer 24 V [6000 W @ 240 V]
<b>CWS1000R841C1144*</b>	built-in mechanical low voltage relay c/w transformer 24 V [6000 W @ 347 V]
<b>CWS1000R841C1151*</b>	built-in mechanical low voltage relay c/w transformer 24 V [6000 W @ 600 V]
<b>CWS1000R841D1028*</b>	built-in mechanical relay w/o transformer 24 V
<b>PK3*</b>	pedestal kit (kit of two)
<b>CWS1000JS*</b>	joiner strip (2 in.)
<b>CWS1000C90*</b>	inside corner (back measures 9 13/16" long on each side)
<b>CWS1000C90*</b>	outside corner (back measures 9 13/16" long on each side)
<b>CWS1000CB**</b>	clean back (fully finished, no mounting holes or knockouts)

electronic relays can receive a pulsed or on/off signal

\* add **W** for white or **A** for almond

\* factory installed

\* factory installation is strongly recommended



**sloped top**  
making it less likely to be sat on, stepped on, or used as a shelf



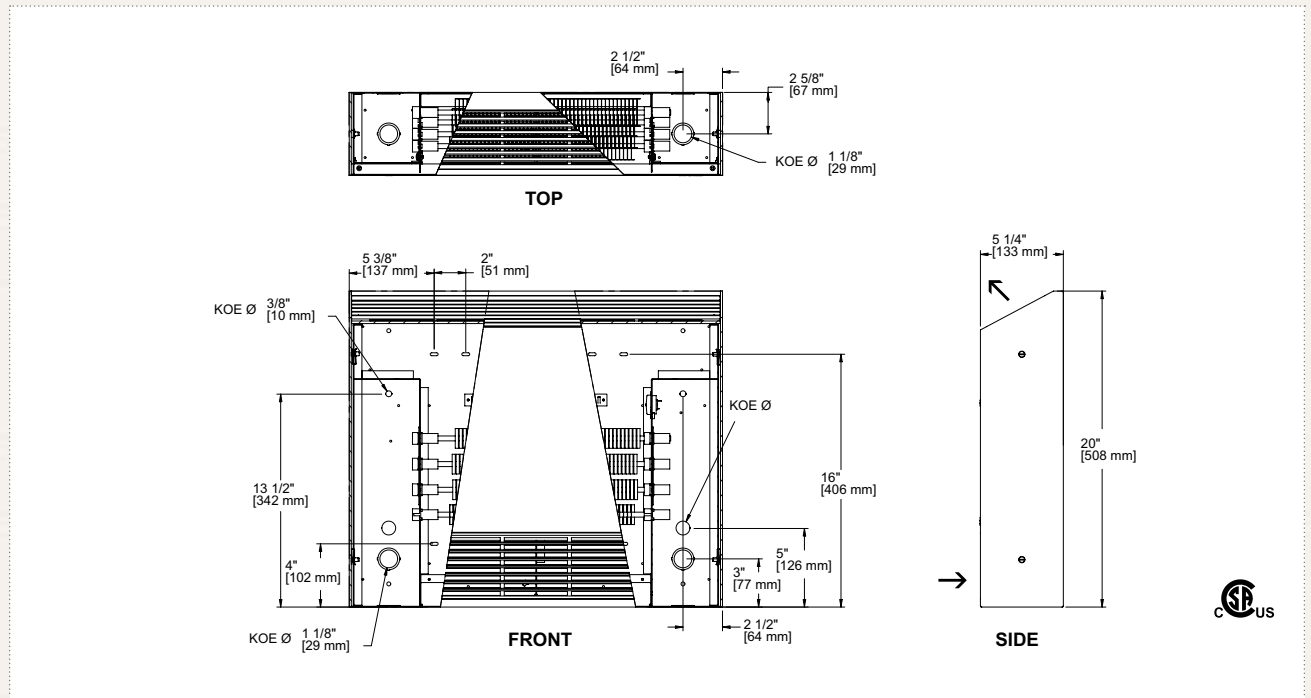
**pages 90 to 96**  
wall thermostats & accessories

**{selection table}**

1000 W density per linear foot		800 W density per linear foot		600 W density per linear foot		voltage	width		weight	
code	watts	code	watts	code	watts	volts	mm	in.	kg	lb
---	2000	---	1600	<b>CWS10006128</b>	1200	208	600	23 5/8	15.8	35
---	2000	---	1600	<b>CWS10006122</b>	1200	240	600	23 5/8	15.8	35
---	2000	---	1600	<b>CWS10006127</b>	1200	277	600	23 5/8	15.8	35
---	2000	---	1600	<b>CWS10006123</b>	1200	347	600	23 5/8	15.8	35
---	2000	---	1600	<b>CWS10006125</b>	1200	480	600	23 5/8	15.8	35
---	2000	---	1600	<b>CWS10006126</b>	1200	600	600	23 5/8	15.8	35
<b>CWS10009308</b>	3000	<b>CWS10009248</b>	2400	<b>CWS10009188</b>	1800	208	900	35 7/16	24.1	53
<b>CWS10009302</b>	3000	<b>CWS10009242</b>	2400	<b>CWS10009182</b>	1800	240	900	35 7/16	24.1	53
<b>CWS10009307</b>	3000	<b>CWS10009247</b>	2400	<b>CWS10009187</b>	1800	277	900	35 7/16	24.1	53
<b>CWS10009303</b>	3000	<b>CWS10009243</b>	2400	<b>CWS10009183</b>	1800	347	900	35 7/16	24.1	53
<b>CWS10009305</b>	3000	<b>CWS10009245</b>	2400	<b>CWS10009185</b>	1800	480	900	35 7/16	24.1	53
<b>CWS10009306</b>	3000	<b>CWS10009246</b>	2400	<b>CWS10009186</b>	1800	600	900	35 7/16	24.1	53
<b>CWS100012408</b>	4000	<b>CWS100012328</b>	3200	<b>CWS100012248</b>	2400	208	1200	47 1/4	31.2	69
<b>CWS100012402</b>	4000	<b>CWS100012322</b>	3200	<b>CWS100012242</b>	2400	240	1200	47 1/4	31.2	69
<b>CWS100012407</b>	4000	<b>CWS100012327</b>	3200	<b>CWS100012247</b>	2400	277	1200	47 1/4	31.2	69
<b>CWS100012403</b>	4000	<b>CWS100012323</b>	3200	<b>CWS100012243</b>	2400	347	1200	47 1/4	31.2	69
<b>CWS100012405</b>	4000	<b>CWS100012325</b>	3200	<b>CWS100012245</b>	2400	480	1200	47 1/4	31.2	69
<b>CWS100012406</b>	4000	<b>CWS100012326</b>	3200	<b>CWS100012246</b>	2400	600	1200	47 1/4	31.2	69
<b>CWS100015508</b>	5000	<b>CWS100015408</b>	4000	<b>CWS100015308</b>	3000	208	1500	59 1/16	38.1	84
<b>CWS100015502</b>	5000	<b>CWS100015402</b>	4000	<b>CWS100015302</b>	3000	240	1500	59 1/16	38.1	84
<b>CWS100015507</b>	5000	<b>CWS100015407</b>	4000	<b>CWS100015307</b>	3000	277	1500	59 1/16	38.1	84
<b>CWS100015503</b>	5000	<b>CWS100015403</b>	4000	<b>CWS100015303</b>	3000	347	1500	59 1/16	38.1	84
<b>CWS100015505</b>	5000	<b>CWS100015405</b>	4000	<b>CWS100015305</b>	3000	480	1500	59 1/16	38.1	84
<b>CWS100015506</b>	5000	<b>CWS100015406</b>	4000	<b>CWS100015306</b>	3000	600	1500	59 1/16	38.1	84
<b>CWS100018608</b>	6000	<b>CWS100018488</b>	4800	<b>CWS100018368</b>	3600	208	1800	70 7/8	44.4	98
<b>CWS100018602</b>	6000	<b>CWS100018482</b>	4800	<b>CWS100018362</b>	3600	240	1800	70 7/8	44.4	98
<b>CWS100018607</b>	6000	<b>CWS100018487</b>	4800	<b>CWS100018367</b>	3600	277	1800	70 7/8	44.4	98
<b>CWS100018603</b>	6000	<b>CWS100018483</b>	4800	<b>CWS100018363</b>	3600	347	1800	70 7/8	44.4	98
<b>CWS100018605</b>	6000	<b>CWS100018485</b>	4800	<b>CWS100018365</b>	3600	480	1800	70 7/8	44.4	98
<b>CWS100018606</b>	6000	<b>CWS100018486</b>	4800	<b>CWS100018366</b>	3600	600	1800	70 7/8	44.4	98

add **W** for white or **A** for almond  
 --- not available

**{technical drawing}**



**CWS1000**