

Compact and rounded extruded aluminum baseboard

This is the **DBI**. Ideal for, but not limited to, commercial and institutional establishments where both style and security are important considerations. Well-suited to private residences as well, the **DBI** is the "all-star" of baseboards, a classy alternative for those homeowners who want to highlight their decors with a timeless baseboard heater.



{features}

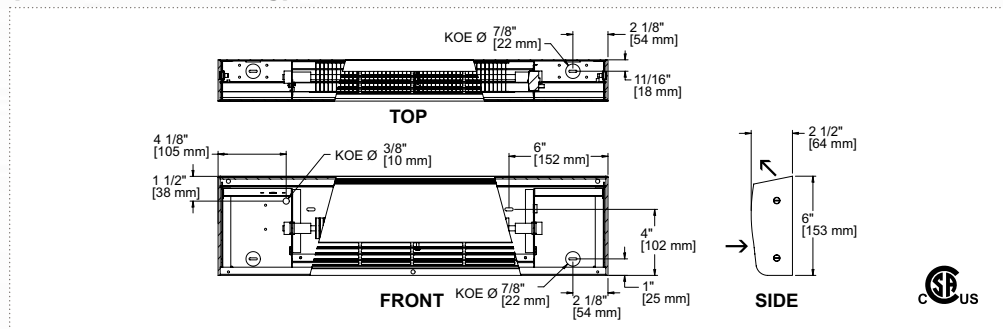
color	· white (W), almond (A) or clear anodized (CA) · other colors available on request
finish	epoxy-polyester powdercoat or clear anodized finish
manufacturing	· 18-gauge steel cabinet · 9-gauge aluminium front panel · front air intake and top air discharge (bottom air intake available on demand [BT]) · thermal protection with automatic reset · full-length wireway
wattage & voltage	see the selection table
element	· single tubular, stainless steel sheathed element with boxed aluminum fins for improved heat dissipation · securely fastened at its center, floating in nylon sleeves at each end, eliminating expansion and contraction noises
control	· built-in tamper-proof thermostat accessible without removing front grill - optional (not included) · low voltage relay kit - optional (not included)
installation	· surface mount · wall and floor mounting with pedestals - optional (not included) · wiring compartments at both ends of unit · blank sections and fillers available for a continuous effect - optional (not included)
warranty	· 10 years (element) · 1 year (unit)

{accessories}

code	description
DBIT12*	built-in tamper-proof single pole thermostat
DBIT22*	built-in tamper-proof double pole thermostat
DBIRE153*	built-in electronic low voltage relay [15 A @ 120, 208, 277 or 347 V]
DBIRE156*	built-in electronic low voltage relay [6 A @ 600 V]
DBIRE153T*	built-in electronic low voltage relay c/w transformer 24 V [15 A @ 208, 277 or 347 V]
DBIR841C1151*	built-in mechanical low voltage relay c/w transformer 24 V [6000 W @ 600 V]
PK1*	pedestal kit (kit of two)
DBIJS*	joiner strip (2 in.)
DBIIC90**	inside corner (back measures 5 7/8" long on each side)
DBIOC90**	outside corner (back measures 5 7/8" long on each side)
DBIBT***	bottom air intake/top air discharge
DBICB**	clean back (fully finished, no mounting holes or knockouts)

electronic relays can receive a pulsed or on/off signal
 * add **W** for white, **A** for almond or **CAP** for clear anodized paint
 * add **CA** for clear anodized
 * factory installed
 * factory installation is strongly recommended

{technical drawing}



{selection table}

250 W density per linear foot		200 W density per linear foot		150 W density per linear foot		voltage volts	width		weight	
code	watts	code	watts	code	watts		mm	in.	kg	lb
DBI6051	500	DBI6041	400	DBI6031	300	120	600	23 5/8	3.1	6.7
DBI6058	500	DBI6048	400	DBI6038	300	208	600	23 5/8	3.1	6.7
DBI6052	500	DBI6042	400	DBI6032	300	240	600	23 5/8	3.1	6.7
DBI6057	500	---	400	---	300	277	600	23 5/8	3.1	6.7
DBI6053	500	---	400	---	300	347	600	23 5/8	3.1	6.7
---	500	---	400	---	300	480	600	23 5/8	3.1	6.7
---	500	---	400	---	300	600	600	23 5/8	3.1	6.7
DBI9071	750	DBI9061	600	DBI9041	450	120	900	35 7/16	4.6	10.1
DBI9078	750	DBI9068	600	DBI9048	450	208	900	35 7/16	4.6	10.1
DBI9072	750	DBI9062	600	DBI9042	450	240	900	35 7/16	4.6	10.1
DBI9077	750	DBI9067	600	DBI9047	450	277	900	35 7/16	4.6	10.1
DBI9073	750	DBI9063	600	DBI9043	450	347	900	35 7/16	4.6	10.1
DBI9075	750	---	600	---	450	480	900	35 7/16	4.6	10.1
DBI9076	750	---	600	---	450	600	900	35 7/16	4.6	10.1
DBI12101	1000	DBI12081	800	DBI12061	600	120	1200	47 1/4	6.8	13.4
DBI12108	1000	DBI12088	800	DBI12068	600	208	1200	47 1/4	6.8	13.4
DBI12102	1000	DBI12082	800	DBI12062	600	240	1200	47 1/4	6.8	13.4
DBI12107	1000	DBI12087	800	DBI12067	600	277	1200	47 1/4	6.8	13.4
DBI12103	1000	DBI12083	800	DBI12063	600	347	1200	47 1/4	6.8	13.4
DBI12105	1000	DBI12085	800	---	600	480	1200	47 1/4	6.8	13.4
DBI12106	1000	DBI12086	800	---	600	600	1200	47 1/4	6.8	13.4
DBI15121	1250	DBI15101	1000	DBI15071	750	120	1500	59 1/16	7.6	16.8
DBI15128	1250	DBI15108	1000	DBI15078	750	208	1500	59 1/16	7.6	16.8
DBI15122	1250	DBI15102	1000	DBI15072	750	240	1500	59 1/16	7.6	16.8
DBI15127	1250	DBI15107	1000	DBI15077	750	277	1500	59 1/16	7.6	16.8
DBI15123	1250	DBI15103	1000	DBI15073	750	347	1500	59 1/16	7.6	16.8
DBI15125	1250	DBI15105	1000	DBI15075	750	480	1500	59 1/16	7.6	16.8
DBI15126	1250	DBI15106	1000	DBI15076	750	600	1500	59 1/16	7.6	16.8
DBI18151	1500	DBI18121	1200	DBI18091	900	120	1800	70 7/8	9.1	20.1
DBI18158	1500	DBI18128	1200	DBI18098	900	208	1800	70 7/8	9.1	20.1
DBI18152	1500	DBI18122	1200	DBI18092	900	240	1800	70 7/8	9.1	20.1
DBI18157	1500	DBI18127	1200	DBI18097	900	277	1800	70 7/8	9.1	20.1
DBI18153	1500	DBI18123	1200	DBI18093	900	347	1800	70 7/8	9.1	20.1
DBI18155	1500	DBI18125	1200	DBI18095	900	480	1800	70 7/8	9.1	20.1
DBI18156	1500	DBI18126	1200	DBI18096	900	600	1800	70 7/8	9.1	20.1
---	1750	DBI21141	1400	DBI21101	1050	120	2100	82 11/16	10.6	23.4
DBI21178	1750	DBI21148	1400	DBI21108	1050	208	2100	82 11/16	10.6	23.4
DBI21172	1750	DBI21142	1400	DBI21102	1050	240	2100	82 11/16	10.6	23.4
DBI21177	1750	DBI21147	1400	DBI21107	1050	277	2100	82 11/16	10.6	23.4
DBI21173	1750	DBI21143	1400	DBI21103	1050	347	2100	82 11/16	10.6	23.4
DBI21175	1750	DBI21145	1400	DBI21105	1050	480	2100	82 11/16	10.6	23.4
DBI21176	1750	DBI21146	1400	DBI21106	1050	600	2100	82 11/16	10.6	23.4
---	2000	---	1600	DBI24121	1200	120	2400	94 1/2	12.2	26.8
DBI24208	2000	DBI24168	1600	DBI24128	1200	208	2400	94 1/2	12.2	26.8
DBI24202	2000	DBI24162	1600	DBI24122	1200	240	2400	94 1/2	12.2	26.8
DBI24207	2000	DBI24167	1600	DBI24127	1200	277	2400	94 1/2	12.2	26.8
DBI24203	2000	DBI24163	1600	DBI24123	1200	347	2400	94 1/2	12.2	26.8
DBI24205	2000	DBI24165	1600	DBI24125	1200	480	2400	94 1/2	12.2	26.8
DBI24206	2000	DBI24166	1600	DBI24126	1200	600	2400	94 1/2	12.2	26.8
---	2250	---	1800	DBI27131	1350	120	2700	106 5/16	13.6	30.1
DBI27228	2250	DBI27188	1800	DBI27138	1350	208	2700	106 5/16	13.6	30.1
DBI27222	2250	DBI27182	1800	DBI27132	1350	240	2700	106 5/16	13.6	30.1
DBI27227	2250	DBI27187	1800	DBI27137	1350	277	2700	106 5/16	13.6	30.1
DBI27223	2250	DBI27183	1800	DBI27133	1350	347	2700	106 5/16	13.6	30.1
DBI27225	2250	DBI27185	1800	DBI27135	1350	480	2700	106 5/16	13.6	30.1
DBI27226	2250	DBI27186	1800	DBI27136	1350	600	2700	106 5/16	13.6	30.1
---	2500	---	2000	DBI27151	1500	120	2700	106 5/16	13.6	30.1
DBI27258	2500	DBI27208	2000	DBI27158	1500	208	2700	106 5/16	13.6	30.1
DBI27252	2500	DBI27202	2000	DBI27152	1500	240	2700	106 5/16	13.6	30.1
DBI27257	2500	DBI27207	2000	DBI27157	1500	277	2700	106 5/16	13.6	30.1
DBI27253	2500	DBI27203	2000	DBI27153	1500	347	2700	106 5/16	13.6	30.1
DBI27255	2500	DBI27205	2000	DBI27155	1500	480	2700	106 5/16	13.6	30.1
DBI27256	2500	DBI27206	2000	DBI27156	1500	600	2700	106 5/16	13.6	30.1

add **W** for white, **A** for almond or **CA** for clear anodized.
 --- not available

DBI