

A sloped top aluminum draft barrier

The **DBS** draft barrier has a lot of style and constitutes a top-of-the-line heating unit.

Its sloped top adds another dimension to an already dynamic unit. You will no longer have to compromise on performance!



{features}

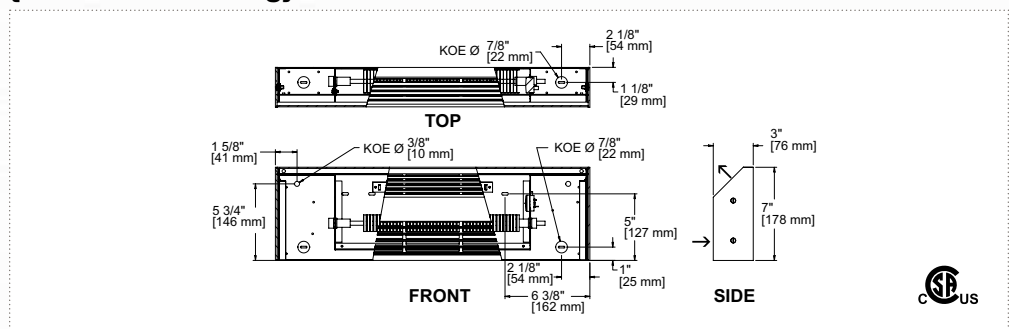
color	· white (W), almond (A) or clear anodized (CA) · other colors available on request
finish	epoxy-polyester powdercoat or clear anodized finish
manufacturing	· 18-gauge steel cabinet · 9-gauge aluminum front panel · front air intake and top air discharge (bottom air intake available on demand [BT]) · thermal protection with automatic reset · full-length wireway (double wireway available upon request)
wattage & voltage	see the selection table
element	· single tubular, stainless steel sheathed element with boxed aluminum fins for improved heat dissipation · securely fastened at its center, floating in nylon sleeves at each end, eliminating expansion and contraction noises
control	· built-in tamper-proof thermostat accessible without removing front grill - optional (not included) · low voltage relay kit - optional (not included)
installation	· surface mount · wall and floor mounting with pedestals - optional (not included) · wiring compartments at both ends of unit · blank sections and fillers available for a continuous effect - optional (not included)
warranty	· 10 years (element) · 1 year (unit)

{accessories}

code	description
DBST12*	built-in tamper-proof single pole thermostat
DBST22*	built-in tamper-proof double pole thermostat
DBSRE153*	built-in electronic low voltage relay [15 A @ 120, 208, 277 or 347 V]
DBSRE156*	built-in electronic low voltage relay [6 A @ 600 V]
DBSRE153T*	built-in electronic low voltage relay c/w transformer 24 V [15 A @ 208, 277 or 347 V]
DBSR841C1151*	built-in mechanical low voltage relay c/w transformer 24 V [6000 W @ 600 V]
PK2*	pedestal kit (kit of two)
DBSJS*	joiner strip (2 in.)
DBSIC90**	inside corner (back measures 5 7/8" long on each side)
DBSOC90**	outside corner (back measures 5 7/8" long on each side)
DBSBT***	bottom air intake/top air discharge
DBSCB**	clean back (fully finished, no mounting holes or knockouts)

electronic relays can receive a pulsed or on/off signal
 * add **W** for white, **A** for almond or **CAP** for clear adonized paint
 * add **CA** for clear anodized
 * factory installed
 * factory installation is strongly recommended

{technical drawing}



pages 90 to 96
 wall thermostats &
 accessories



{selection table}

250 W density per linear foot		200 W density per linear foot		150 W density per linear foot		voltage volts	width		weight	
code	watts	code	watts	code	watts		mm	in.	kg	lb
DBS6051	500	DBS6041	400	DBS6031	300	120	600	23 5/8	3.1	6.7
DBS6058	500	DBS6048	400	DBS6038	300	208	600	23 5/8	3.1	6.7
DBS6052	500	DBS6042	400	DBS6032	300	240	600	23 5/8	3.1	6.7
DBS6057	500	---	400	---	300	277	600	23 5/8	3.1	6.7
DBS6053	500	---	400	---	300	347	600	23 5/8	3.1	6.7
---	500	---	400	---	300	480	600	23 5/8	3.1	6.7
---	500	---	400	---	300	600	600	23 5/8	3.1	6.7
DBS9071	750	DBS9061	600	DBS9041	450	120	900	35 7/16	4.6	10.1
DBS9078	750	DBS9068	600	DBS9048	450	208	900	35 7/16	4.6	10.1
DBS9072	750	DBS9062	600	DBS9042	450	240	900	35 7/16	4.6	10.1
DBS9077	750	DBS9067	600	DBS9047	450	277	900	35 7/16	4.6	10.1
DBS9073	750	DBS9063	600	DBS9043	450	347	900	35 7/16	4.6	10.1
DBS9075	750	---	600	---	450	480	900	35 7/16	4.6	10.1
DBS9076	750	---	600	---	450	600	900	35 7/16	4.6	10.1
DBS12101	1000	DBS12081	800	DBS12061	600	120	1200	47 1/4	6.8	13.4
DBS12108	1000	DBS12088	800	DBS12068	600	208	1200	47 1/4	6.8	13.4
DBS12102	1000	DBS12082	800	DBS12062	600	240	1200	47 1/4	6.8	13.4
DBS12107	1000	DBS12087	800	DBS12067	600	277	1200	47 1/4	6.8	13.4
DBS12103	1000	DBS12083	800	DBS12063	600	347	1200	47 1/4	6.8	13.4
DBS12105	1000	DBS12085	800	---	600	480	1200	47 1/4	6.8	13.4
DBS12106	1000	DBS12086	800	---	600	600	1200	47 1/4	6.8	13.4
DBS15121	1250	DBS15101	1000	DBS15071	750	120	1500	59 1/16	7.6	16.8
DBS15128	1250	DBS15108	1000	DBS15078	750	208	1500	59 1/16	7.6	16.8
DBS15122	1250	DBS15102	1000	DBS15072	750	240	1500	59 1/16	7.6	16.8
DBS15127	1250	DBS15107	1000	DBS15077	750	277	1500	59 1/16	7.6	16.8
DBS15123	1250	DBS15103	1000	DBS15073	750	347	1500	59 1/16	7.6	16.8
DBS15125	1250	DBS15105	1000	DBS15075	750	480	1500	59 1/16	7.6	16.8
DBS15126	1250	DBS15106	1000	DBS15076	750	600	1500	59 1/16	7.6	16.8
DBS18151	1500	DBS18121	1200	DBS18091	900	120	1800	70 7/8	9.1	20.1
DBS18158	1500	DBS18128	1200	DBS18098	900	208	1800	70 7/8	9.1	20.1
DBS18152	1500	DBS18122	1200	DBS18092	900	240	1800	70 7/8	9.1	20.1
DBS18157	1500	DBS18127	1200	DBS18097	900	277	1800	70 7/8	9.1	20.1
DBS18153	1500	DBS18123	1200	DBS18093	900	347	1800	70 7/8	9.1	20.1
DBS18155	1500	DBS18125	1200	DBS18095	900	480	1800	70 7/8	9.1	20.1
DBS18156	1500	DBS18126	1200	DBS18096	900	600	1800	70 7/8	9.1	20.1
---	1750	DBS21141	1400	DBS21101	1050	120	2100	82 11/16	10.6	23.4
DBS21178	1750	DBS21148	1400	DBS21108	1050	208	2100	82 11/16	10.6	23.4
DBS21172	1750	DBS21142	1400	DBS21102	1050	240	2100	82 11/16	10.6	23.4
DBS21177	1750	DBS21147	1400	DBS21107	1050	277	2100	82 11/16	10.6	23.4
DBS21173	1750	DBS21143	1400	DBS21103	1050	347	2100	82 11/16	10.6	23.4
DBS21175	1750	DBS21145	1400	DBS21105	1050	480	2100	82 11/16	10.6	23.4
DBS21176	1750	DBS21146	1400	DBS21106	1050	600	2100	82 11/16	10.6	23.4
---	2000	---	1600	DBS24121	1200	120	2400	94 1/2	12.2	26.8
DBS24208	2000	DBS24168	1600	DBS24128	1200	208	2400	94 1/2	12.2	26.8
DBS24202	2000	DBS24162	1600	DBS24122	1200	240	2400	94 1/2	12.2	26.8
DBS24207	2000	DBS24167	1600	DBS24127	1200	277	2400	94 1/2	12.2	26.8
DBS24203	2000	DBS24163	1600	DBS24123	1200	347	2400	94 1/2	12.2	26.8
DBS24205	2000	DBS24165	1600	DBS24125	1200	480	2400	94 1/2	12.2	26.8
DBS24206	2000	DBS24166	1600	DBS24126	1200	600	2400	94 1/2	12.2	26.8
---	2250	---	1800	DBS27131	1350	120	2700	106 5/16	13.6	30.1
DBS27228	2250	DBS27188	1800	DBS27138	1350	208	2700	106 5/16	13.6	30.1
DBS27222	2250	DBS27182	1800	DBS27132	1350	240	2700	106 5/16	13.6	30.1
DBS27227	2250	DBS27187	1800	DBS27137	1350	277	2700	106 5/16	13.6	30.1
DBS27223	2250	DBS27183	1800	DBS27133	1350	347	2700	106 5/16	13.6	30.1
DBS27225	2250	DBS27185	1800	DBS27135	1350	480	2700	106 5/16	13.6	30.1
DBS27226	2250	DBS27186	1800	DBS27136	1350	600	2700	106 5/16	13.6	30.1
---	2500	---	2000	DBS27151	1500	120	2700	106 5/16	13.6	30.1
DBS27258	2500	DBS27208	2000	DBS27158	1500	208	2700	106 5/16	13.6	30.1
DBS27252	2500	DBS27202	2000	DBS27152	1500	240	2700	106 5/16	13.6	30.1
DBS27257	2500	DBS27207	2000	DBS27157	1500	277	2700	106 5/16	13.6	30.1
DBS27253	2500	DBS27203	2000	DBS27153	1500	347	2700	106 5/16	13.6	30.1
DBS27255	2500	DBS27205	2000	DBS27155	1500	480	2700	106 5/16	13.6	30.1
DBS27256	2500	DBS27206	2000	DBS27156	1500	600	2700	106 5/16	13.6	30.1

add **W** for white, **A** for almond or **CA** for clear anodized
 --- not available

DBS