

**Fan forced heat from an unexpected place**

No wall space to install a heater? No worry – put it in the floor. With its heavy-duty construction, the **FFI** can be recessed into any types of floor. It is small enough to be installed between two joists or directly into concrete.

Whether it lay beneath a bay window, patio door, or in the entranceway, the **FFI** heater performs admirably, offering 80 cfm of warm air effortlessly.



**{features}**

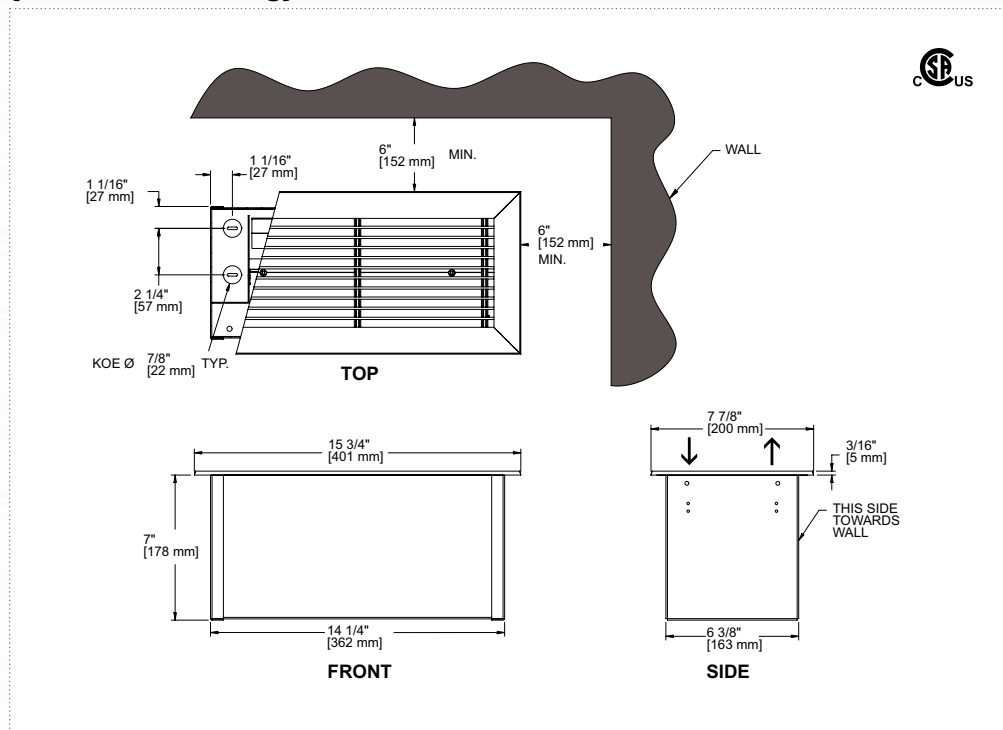
<b>color</b>	white (W) or almond (A)
<b>finish</b>	epoxy-polyester powdercoat
<b>manufacturing</b>	<ul style="list-style-type: none"> <li>· 16-gauge steel cabinet</li> <li>· 9-gauge aluminum extruded grille</li> <li>· quiet, 80 cfm capacity</li> <li>· thermal protection with automatic reset</li> </ul>
<b>wattage &amp; voltage</b>	see the selection table
<b>element</b>	tubular element sheathed with spiral-wound fins for improved heat dissipation
<b>control</b>	wall thermostat only (not included)
<b>installation</b>	<ul style="list-style-type: none"> <li>· recessed between floor joists</li> <li>· recessed in a concrete floor without framing</li> <li>· large wiring compartment</li> </ul>
<b>warranty</b>	1 year

**{selection table}**

product code	power watts	voltage volts	weight kg	weight lb
<b>FFI1002</b>	1000/750	240/208	8.1	18
<b>FFI1502</b>	1500/1125	240/208	8.1	18

add W for white or A for almond

**{technical drawing}**



**grilles**  
now offered with extruded aluminum grilles

**pages 90 to 96**  
wall thermostats & accessories