

LCH4800T

LCH48T

Nichrome open element enables :

- better heat dissipation
- instantaneous heat (without any cold draft on startup)
- more durability (technology proven for more than 50 years!)

Heat at your fingertips

The **LCH** portable heater: 4800 W of forced-air heat that moves with you. Its rugged construction and eye-catching design makes this portable heater the leader in its class. An exclusive, uniquely designed cone-shaped tubular element is encompassed by a tunnel, which helps to concentrate the airflow around the element, generating a higher-density of heat at the output. This affordable heater is a practical backup system that can reliably meet your needs and won't break your budget.

For temporary heating, the **LCH** is the answer.

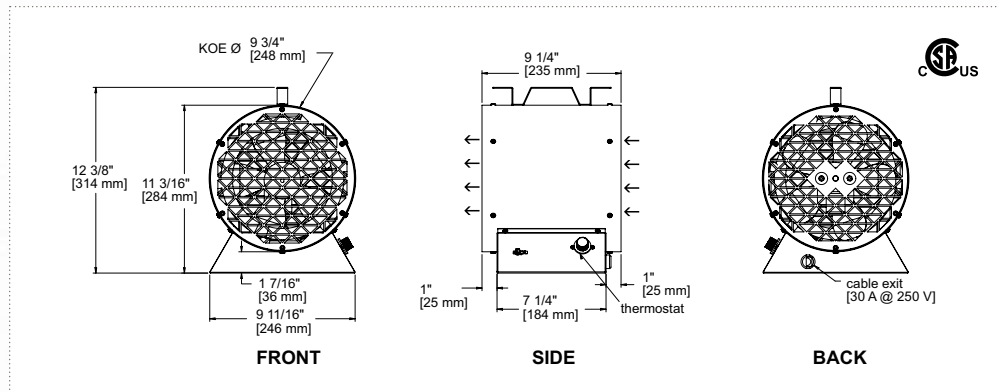
{features}

color	· orange & black (LCH48T model) · yellow & black (LCH4800T model)
finish	epoxy-polyester powdercoat
manufacturing	· 20-gauge steel cabinet · 360 cfm (LCH48T model) ; 250 cfm (LCH4800T model) · sturdy handle for portability that also serves as cord rack · 2 m (6 ft) 12 Awg. molded cable with grounded, 30 A 250 V plug · thermal protection with automatic reset
wattage & voltage	see the selection table
motor	· open (LCH48T model) · enclosed, permanently lubricated motor (LCH4800T model)
element	open-coil, nichrome element producing instant heat
control	built-in thermostat on the right side of the heater
installation	connects to a standard 30 A 250 V grounded receptacle
warranty	1 year

{selection table}

product code	power watts	voltage volts	power btu/h	weight kg	weight lb
LCH48T	4800/3600	240/208	16382/12285	5.4	12
LCH4800T	4800/3600	240/208	16382/12285	5.4	12

{technical drawing}



- tunnel**
unique to Stelpro, a tunnel installed around the cone-shaped element
- element**
open-coil, nichrome element producing instant heat
- motor**
enclosed and permanently lubricated that will prevent it from dust accumulation(LCH4800T)
- installation**
connects to a standard 30 A 250 V grounded receptacle

LCH