

**A bright choice!**

The **SBFL** enables you to evacuate humidity from your bathroom and to light it gently as well. You will save money for sure since you do not have to purchase a separate lamp to light your bathroom. Moreover, its discrete grille will blend with your décor and its powerful motor will ensure an excellent performance.



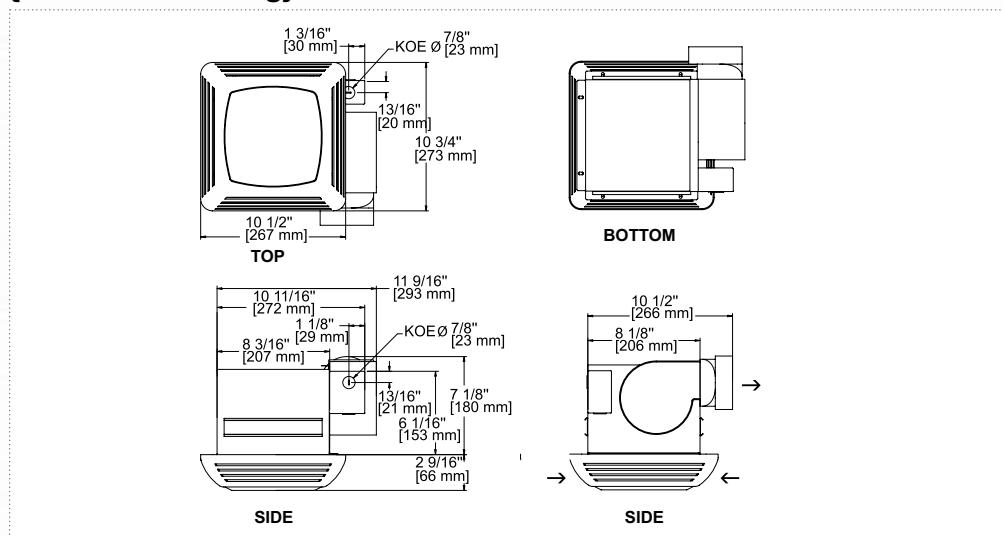
**{features}**

<b>color</b>	white
<b>manufacturing</b>	<ul style="list-style-type: none"> <li>· plastic grille with rounded corners</li> <li>· 4-inch duct</li> <li>· integrated light of 40 W (bulb not included)</li> </ul>
<b>dimensions</b>	10 1/2 x 11 in. grille
<b>control</b>	<ul style="list-style-type: none"> <li>· single switch (not included)</li> <li>· double switch (independently controls the fan and the light) (not included)</li> </ul>
<b>installation</b>	<ul style="list-style-type: none"> <li>· ceiling recessed</li> <li>· installed on the ceiling joist using wooden headers (not included)</li> <li>· installed on the ceiling joist using sliding brackets (included)</li> </ul>
<b>warranty</b>	1 year

**{selection table}**

product	sound level	flow	duct	capacity	weight	
code	sones	cfm	in.	ft²	kg	lb
<b>SBFL070</b>	3.0	70	4	65	2.8	6.1

**{technical drawing}**



@ **ventilation calculator**  
visit our Website!  
[www.stelpro.com](http://www.stelpro.com)

☀ **lighting**  
integrated light (bulb not included)