

{modulating duct heater - SB-M}

The Stelpro duct-heater is designed to guarantee a maximum operational safety while ensuring your comfort and economy.

It can be installed in several different positions and is offered in 2 sizes combined with a deflector kit, for a better performance and more versatility.

The SB-M duct heater, either used as a stand-alone heating unit or combined with a heat-pump, will ensure constant air temperature for maximum comfort.

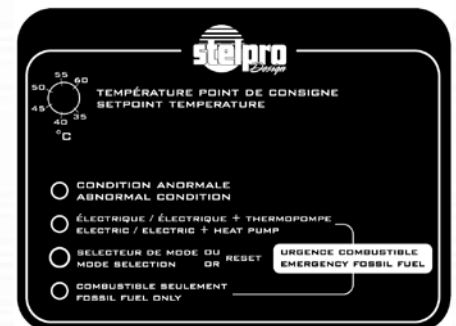


{features}

color	light charcoal (access panel)
finish	powdercoated
manufacturing	<ul style="list-style-type: none"> · robust monopiece galvanized steel cabinet · pilot lights clearly identifies the selected modes · baffle (included) · plenum temperature sensor (abnormal condition detection) · diagnostic light indicator · each element is protected by a set of thermal cut-outs (manual and automatic)
wattage & voltage	see the selection table
heating assembly area	18 X 16 in. 19 X 19 in.
elements	· separately framed elements allowing for quick and easy replacement
control	<ul style="list-style-type: none"> · mode selector · automatic emergency auto-transfer
installation	· multi-position
warranty	<ul style="list-style-type: none"> · 10 years (elements) · 5 years (unit)

{adjustments of the modes}

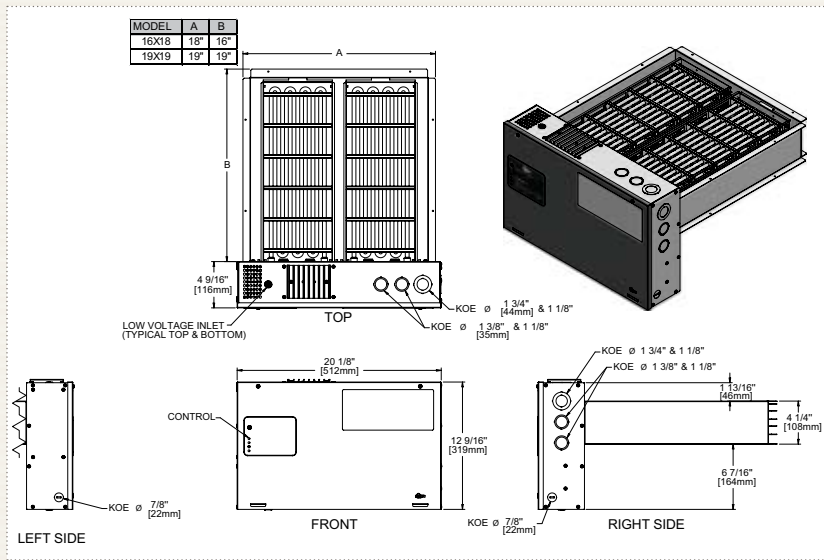
electric mode	uses only the electric duct heater for heating
emergency fossil fuel mode	If the heat pump and electric mode are insufficient, the system will switch to fossil mode
fossil fuel mode	uses only fossil fuel for heating



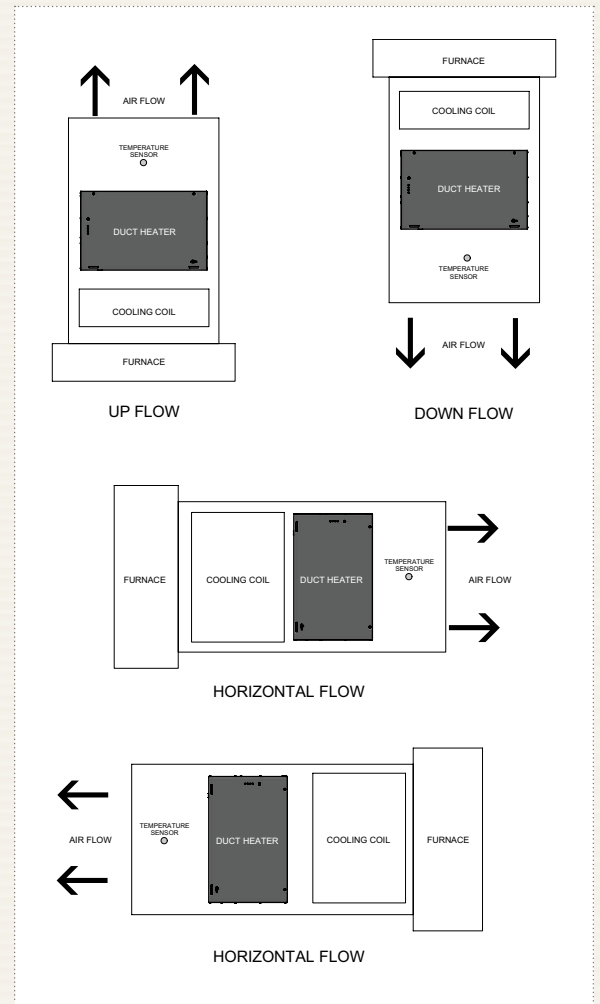
{selection table}

products	power	voltage	amperage	heating assembly area		height OA		width OA		depth OA	
code	kilowatts	volts	amp.	mm	in.	mm	in.	mm	in.	mm	in.
SBM05211	5/3.8	240/208	20.8/18.1	406 X 457	16 X 18	319	12 9/16	511	20 1/8	522 - 548	20 9/16 - 23 9/16
SBM05212	5/3.8	240/208	20.8/18.1	483 X 483	19 X 19	319	12 9/16	511	20 1/8	522 - 548	20 9/16 - 23 9/16
SBM10211	10/7.5	240/208	41.7/36.1	406 X 457	16 X 18	319	12 9/16	511	20 1/8	522 - 548	20 9/16 - 23 9/16
SBM10212	10/7.5	240/208	41.7/36.1	483 X 483	19 X 19	319	12 9/16	511	20 1/8	522 - 548	20 9/16 - 23 9/16
SBM15211	15/11.3	240/208	62.5/54.2	406 X 457	16 X 18	319	12 9/16	511	20 1/8	522 - 548	20 9/16 - 23 9/16
SBM15212	15/11.3	240/208	62.5/54.2	483 X 483	19 X 19	319	12 9/16	511	20 1/8	522 - 548	20 9/16 - 23 9/16
SBM20211	20/15	240/208	83.3/72.2	406 X 457	16 X 18	319	12 9/16	511	20 1/8	522 - 548	20 9/16 - 23 9/16
SBM20212	20/15	240/208	83.3/72.2	483 X 483	19 X 19	319	12 9/16	511	20 1/8	522 - 548	20 9/16 - 23 9/16
SBM25211	25/18.5	240/208	104.2/77.08	406 X 457	16 X 18	319	12 9/16	511	20 1/8	522 - 548	20 9/16 - 23 9/16
SBM25212	25/18.5	240/208	104.2/77.08	483 X 483	19 X 19	319	12 9/16	511	20 1/8	522 - 548	20 9/16 - 23 9/16
SBM30211	30/22.5	240/208	125/108.3	406 X 457	16 X 18	319	12 9/16	511	20 1/8	522 - 548	20 9/16 - 23 9/16
SBM30212	30/22.5	240/208	125/108.3	483 X 483	19 X 19	319	12 9/16	511	20 1/8	522 - 548	20 9/16 - 23 9/16

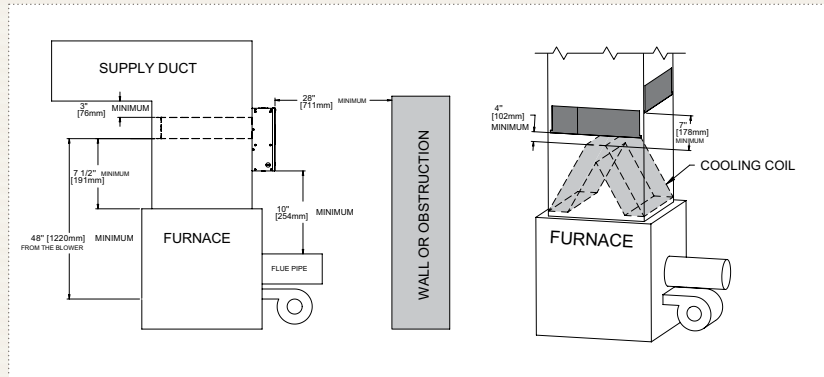
{technical drawing}



{installation}



{installation}



{accessories/filters}

For optimum efficiency and a better air quality: Add a **Stelpro** filter

code	description	dimensions	MERV
SFRF16253	filter rack and filter	16 X 25 X 3 in.	7
SFRF16254	filter rack and filter	16 X 25 X 4 in.	8
SFRF16255	filter rack and filter	16 X 25 X 5 in.	11
SFRF20204	filter rack and filter	20 X 20 X 4 in.	8
SFRF20205	filter rack and filter	20 X 20 X 5 in.	11
SFRF20254	filter rack and filter	20 X 25 X 4 in.	8
SFRF20255	filter rack and filter	20 X 25 X 5 in.	11

