

Perimeter heating with style

Architectural in design, the **SCAS** draft barrier is an excellent choice for complimentary, perimeter heating. Those modern office buildings will highly appreciate what the **SCAS** has to offer: a compact, sloped top design capable of efficiently heating perimeter, glassed surfaces.

The **SCAS** offers a wide array of installation possibilities and is adaptable to all the future rearrangements of office spaces.

Furthermore, thanks to its sloped top, it is less likely to be sat on, stepped on, or used as a shelf.



{features}

| | |
|------------------------------|---|
| color | · white (W) or almond (A) · other colors available on request |
| finish | epoxy-polyester powdercoat |
| manufacturing | · 18-gauge steel cabinet · 16-gauge steel front panel · front air intake and top air discharge · thermal protection with automatic reset · full-length wireway (double wireway available upon request) |
| wattage & voltage | see the selection table |
| element | · single tubular, stainless steel sheathed element with boxed aluminum fins for improved heat dissipation · securely fastened at its center, floating in nylon sleeves at each end, eliminating expansion and contraction noises |
| control | · built-in tamper-proof thermostat accessible without removing front grille - optional (not included) · low voltage relay kit - optional (not included) |
| installation | · surface mount · wall or floor mounted with pedestal kit - optional (not included) · wiring compartments at both ends of unit · blank sections and fillers available for a continuous effect - optional (not included) |
| warranty | · 10 years (element) · 1 year (unit) |

{accessories}

| code | description |
|-----------------------|---|
| SCAST12* | built-in tamper-proof single pole thermostat |
| SCAST22* | built-in tamper-proof double pole thermostat |
| SCASRE153* | built-in electronic low voltage relay [15 A @ 120, 208, 277 or 347 V] |
| SCASRE156* | built-in electronic low voltage relay [6 A @ 600 V] |
| SCASRE153T* | built-in electronic low voltage relay c/w transformer 24 V [15 A @ 208, 277 or 347 V] |
| SCASR841C1151* | built-in mechanical low voltage relay c/w transformer 24 V [6000 W @ 600 V] |
| PK2* | pedestal kit (kit of two) |
| SCASJS* | joiner strip (2 in.) |
| SCASIC90* | inside corner (back measures 5 7/8" long on each side) |
| SCASOC90* | outside corner (back measures 5 7/8" long on each side) |
| SCASCB** | clean back (fully finished, no mounting holes or knockouts) |

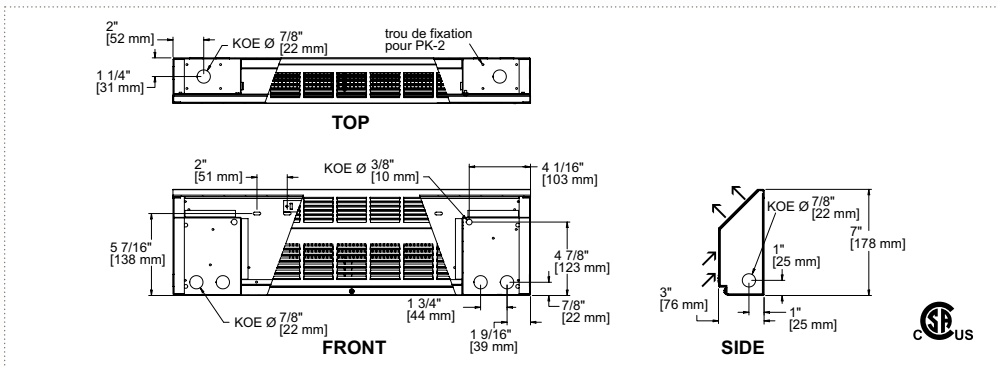
electronic relays can receive a pulsed or on/off signal

* add W for white or A for almond

* factory installed

** factory installation is strongly recommended

{technical drawing}



sloped top
making it less likely to be sat on, stepped on, or used as a shelf

pages 90 to 96
wall thermostats & accessories



{selection table}

| 250 W density per linear foot | | 200 W density per linear foot | | 150 W density per linear foot | | voltage | width | | weight | |
|-------------------------------|-------|-------------------------------|-------|-------------------------------|-------|---------|-------|----------|--------|----|
| code | watts | code | watts | code | watts | volts | mm | in. | kg | lb |
| SCAS6051 | 500 | SCAS6041 | 400 | SCAS6031 | 300 | 120 | 600 | 23 5/8 | 4.1 | 9 |
| SCAS6058 | 500 | SCAS6048 | 400 | SCAS6038 | 300 | 208 | 600 | 23 5/8 | 4.1 | 9 |
| SCAS6052 | 500 | SCAS6042 | 400 | SCAS6032 | 300 | 240 | 600 | 23 5/8 | 4.1 | 9 |
| SCAS6057 | 500 | --- | 400 | --- | 300 | 277 | 600 | 23 5/8 | 4.1 | 9 |
| SCAS6053 | 500 | --- | 400 | --- | 300 | 347 | 600 | 23 5/8 | 4.1 | 9 |
| --- | 500 | --- | 400 | --- | 300 | 480 | 600 | 23 5/8 | 4.1 | 9 |
| --- | 500 | --- | 400 | --- | 300 | 600 | 600 | 23 5/8 | 4.1 | 9 |
| SCAS9071 | 750 | SCAS9061 | 600 | SCAS9041 | 450 | 120 | 900 | 35 7/16 | 5.9 | 13 |
| SCAS9078 | 750 | SCAS9068 | 600 | SCAS9048 | 450 | 208 | 900 | 35 7/16 | 5.9 | 13 |
| SCAS9072 | 750 | SCAS9062 | 600 | SCAS9042 | 450 | 240 | 900 | 35 7/16 | 5.9 | 13 |
| SCAS9077 | 750 | SCAS9067 | 600 | SCAS9047 | 450 | 277 | 900 | 35 7/16 | 5.9 | 13 |
| SCAS9073 | 750 | SCAS9063 | 600 | SCAS9043 | 450 | 347 | 900 | 35 7/16 | 5.9 | 13 |
| SCAS9075 | 750 | --- | 600 | --- | 450 | 480 | 900 | 35 7/16 | 5.9 | 13 |
| SCAS9076 | 750 | --- | 600 | --- | 450 | 600 | 900 | 35 7/16 | 5.9 | 13 |
| SCAS12101 | 1000 | SCAS12081 | 800 | SCAS12061 | 600 | 120 | 1200 | 47 1/4 | 8.0 | 17 |
| SCAS12108 | 1000 | SCAS12088 | 800 | SCAS12068 | 600 | 208 | 1200 | 47 1/4 | 8.0 | 17 |
| SCAS12102 | 1000 | SCAS12082 | 800 | SCAS12062 | 600 | 240 | 1200 | 47 1/4 | 8.0 | 17 |
| SCAS12107 | 1000 | SCAS12087 | 800 | SCAS12067 | 600 | 277 | 1200 | 47 1/4 | 8.0 | 17 |
| SCAS12103 | 1000 | SCAS12083 | 800 | SCAS12063 | 600 | 347 | 1200 | 47 1/4 | 8.0 | 17 |
| SCAS12105 | 1000 | SCAS12085 | 800 | --- | 600 | 480 | 1200 | 47 1/4 | 8.0 | 17 |
| SCAS12106 | 1000 | SCAS12086 | 800 | --- | 600 | 600 | 1200 | 47 1/4 | 8.0 | 17 |
| SCAS15121 | 1250 | SCAS15101 | 1000 | SCAS15071 | 750 | 120 | 1500 | 59 1/16 | 9.0 | 20 |
| SCAS15128 | 1250 | SCAS15108 | 1000 | SCAS15078 | 750 | 208 | 1500 | 59 1/16 | 9.0 | 20 |
| SCAS15122 | 1250 | SCAS15102 | 1000 | SCAS15072 | 750 | 240 | 1500 | 59 1/16 | 9.0 | 20 |
| SCAS15127 | 1250 | SCAS15107 | 1000 | SCAS15077 | 750 | 277 | 1500 | 59 1/16 | 9.0 | 20 |
| SCAS15123 | 1250 | SCAS15103 | 1000 | SCAS15073 | 750 | 347 | 1500 | 59 1/16 | 9.0 | 20 |
| SCAS15125 | 1250 | SCAS15105 | 1000 | SCAS15075 | 750 | 480 | 1500 | 59 1/16 | 9.0 | 20 |
| SCAS15126 | 1250 | SCAS15106 | 1000 | SCAS15076 | 750 | 600 | 1500 | 59 1/16 | 9.0 | 20 |
| SCAS18151 | 1500 | SCAS18121 | 1200 | SCAS18091 | 900 | 120 | 1800 | 70 7/8 | 11.0 | 25 |
| SCAS18158 | 1500 | SCAS18128 | 1200 | SCAS18098 | 900 | 208 | 1800 | 70 7/8 | 11.0 | 25 |
| SCAS18152 | 1500 | SCAS18122 | 1200 | SCAS18092 | 900 | 240 | 1800 | 70 7/8 | 11.0 | 25 |
| SCAS18157 | 1500 | SCAS18127 | 1200 | SCAS18097 | 900 | 277 | 1800 | 70 7/8 | 11.0 | 25 |
| SCAS18153 | 1500 | SCAS18123 | 1200 | SCAS18093 | 900 | 347 | 1800 | 70 7/8 | 11.0 | 25 |
| SCAS18155 | 1500 | SCAS18125 | 1200 | SCAS18095 | 900 | 480 | 1800 | 70 7/8 | 11.0 | 25 |
| SCAS18156 | 1500 | SCAS18126 | 1200 | SCAS18096 | 900 | 600 | 1800 | 70 7/8 | 11.0 | 25 |
| --- | 1750 | SCAS21141 | 1400 | SCAS21101 | 1050 | 120 | 2100 | 82 11/16 | 13.0 | 29 |
| SCAS21178 | 1750 | SCAS21148 | 1400 | SCAS21108 | 1050 | 208 | 2100 | 82 11/16 | 13.0 | 29 |
| SCAS21172 | 1750 | SCAS21142 | 1400 | SCAS21102 | 1050 | 240 | 2100 | 82 11/16 | 13.0 | 29 |
| SCAS21177 | 1750 | SCAS21147 | 1400 | SCAS21107 | 1050 | 277 | 2100 | 82 11/16 | 13.0 | 29 |
| SCAS21173 | 1750 | SCAS21143 | 1400 | SCAS21103 | 1050 | 347 | 2100 | 82 11/16 | 13.0 | 29 |
| SCAS21175 | 1750 | SCAS21145 | 1400 | SCAS21105 | 1050 | 480 | 2100 | 82 11/16 | 13.0 | 29 |
| SCAS21176 | 1750 | SCAS21146 | 1400 | SCAS21106 | 1050 | 600 | 2100 | 82 11/16 | 13.0 | 29 |
| --- | 2000 | --- | 1600 | SCAS24121 | 1200 | 120 | 2400 | 94 1/2 | 16.0 | 34 |
| SCAS24208 | 2000 | SCAS24168 | 1600 | SCAS24128 | 1200 | 208 | 2400 | 94 1/2 | 16.0 | 34 |
| SCAS24202 | 2000 | SCAS24162 | 1600 | SCAS24122 | 1200 | 240 | 2400 | 94 1/2 | 16.0 | 34 |
| SCAS24207 | 2000 | SCAS24167 | 1600 | SCAS24127 | 1200 | 277 | 2400 | 94 1/2 | 16.0 | 34 |
| SCAS24203 | 2000 | SCAS24163 | 1600 | SCAS24123 | 1200 | 347 | 2400 | 94 1/2 | 16.0 | 34 |
| SCAS24205 | 2000 | SCAS24165 | 1600 | SCAS24125 | 1200 | 480 | 2400 | 94 1/2 | 16.0 | 34 |
| SCAS24206 | 2000 | SCAS24166 | 1600 | SCAS24126 | 1200 | 600 | 2400 | 94 1/2 | 16.0 | 34 |
| --- | 2250 | --- | 1800 | SCAS27131 | 1350 | 120 | 2700 | 106 5/16 | 17.0 | 37 |
| SCAS27228 | 2250 | SCAS27188 | 1800 | SCAS27138 | 1350 | 208 | 2700 | 106 5/16 | 17.0 | 37 |
| SCAS27222 | 2250 | SCAS27182 | 1800 | SCAS27132 | 1350 | 240 | 2700 | 106 5/16 | 17.0 | 37 |
| SCAS27227 | 2250 | SCAS27187 | 1800 | SCAS27137 | 1350 | 277 | 2700 | 106 5/16 | 17.0 | 37 |
| SCAS27223 | 2250 | SCAS27183 | 1800 | SCAS27133 | 1350 | 347 | 2700 | 106 5/16 | 17.0 | 37 |
| SCAS27225 | 2250 | SCAS27185 | 1800 | SCAS27135 | 1350 | 480 | 2700 | 106 5/16 | 17.0 | 37 |
| SCAS27226 | 2250 | SCAS27186 | 1800 | SCAS27136 | 1350 | 600 | 2700 | 106 5/16 | 17.0 | 37 |
| --- | 2500 | --- | 2000 | SCAS27151 | 1500 | 120 | 2700 | 106 5/16 | 17.0 | 37 |
| SCAS27258 | 2500 | SCAS27208 | 2000 | SCAS27158 | 1500 | 208 | 2700 | 106 5/16 | 17.0 | 37 |
| SCAS27252 | 2500 | SCAS27202 | 2000 | SCAS27152 | 1500 | 240 | 2700 | 106 5/16 | 17.0 | 37 |
| SCAS27257 | 2500 | SCAS27207 | 2000 | SCAS27157 | 1500 | 277 | 2700 | 106 5/16 | 17.0 | 37 |
| SCAS27253 | 2500 | SCAS27203 | 2000 | SCAS27153 | 1500 | 347 | 2700 | 106 5/16 | 17.0 | 37 |
| SCAS27255 | 2500 | SCAS27205 | 2000 | SCAS27155 | 1500 | 480 | 2700 | 106 5/16 | 17.0 | 37 |
| SCAS27256 | 2500 | SCAS27206 | 2000 | SCAS27156 | 1500 | 600 | 2700 | 106 5/16 | 17.0 | 37 |

add W for white or A for almond.
 --- not available

SCAS