

**Perimeter heating with style**

Architectural in design, the **SCA** draft barrier is an excellent choice for complimentary, perimeter heating.

Those modern office buildings will highly appreciate what the **SCA** has to offer: a low-profile design capable of efficiently heating perimeter, glassed surfaces.

The leader in perimeter heating, the **SCA** offers a wide range of installation possibilities and is custom-made for office spaces and adaptable to their future rearrangements.

Available in white, almond and other colors upon request, the **SCA** will blend in anywhere.



**{features}**

<b>color</b>	· white (W) or almond (A) · other colors available on request
<b>finish</b>	epoxy-polyester powdercoat
<b>manufacturing</b>	· 18-gauge steel cabinet · 16-gauge steel front panel · front air intake and top air discharge · thermal protection with automatic reset · full-length wireway (double wireway available upon request)
<b>wattage &amp; voltage</b>	see the selection table
<b>element</b>	· single tubular, stainless steel sheathed element with boxed aluminum fins for improved heat dissipation · securely fastened at its center, floating in nylon sleeves at each end, eliminating expansion and contraction noises
<b>control</b>	· built-in tamper-proof thermostat may be installed in left end only accessible without removing front grille · optional (not included) · low voltage relay kit - optional (not included)
<b>installation</b>	· surface mount · wall or floor mounted with pedestal kit - optional (not included) · wiring compartments at both ends of unit · blank sections and fillers available for a continuous effect - optional (not included)
<b>warranty</b>	· 10 years (element) · 1 year (unit)

**{accessories}**

code	description
<b>SCAT12*</b>	built-in tamper-proof single pole thermostat
<b>SCAT22*</b>	built-in tamper-proof double pole thermostat
<b>SCARE153*</b>	built-in electronic low voltage relay [15 A @ 120, 208, 277 or 347 V]
<b>SCARE156*</b>	built-in electronic low voltage relay [6 A @ 600 V]
<b>SCARE153T*</b>	built-in electronic low voltage relay c/w transformer 24 V [15 A @ 208, 277 or 347 V]
<b>SCAR841C1151*</b>	built-in mechanical low voltage relay c/w transformer 24 V [6000 W @ 600 V]
<b>PK2*</b>	pedestal kit (kit of two)
<b>SCAJS*</b>	joiner strip (2 in.)
<b>SCAIC90*</b>	inside corner (back measures 5 7/8" long on each side)
<b>SCAOC90*</b>	outside corner (back measures 5 7/8" long on each side)
<b>SCACB**</b>	clean back (fully finished, no mounting holes or knockouts)

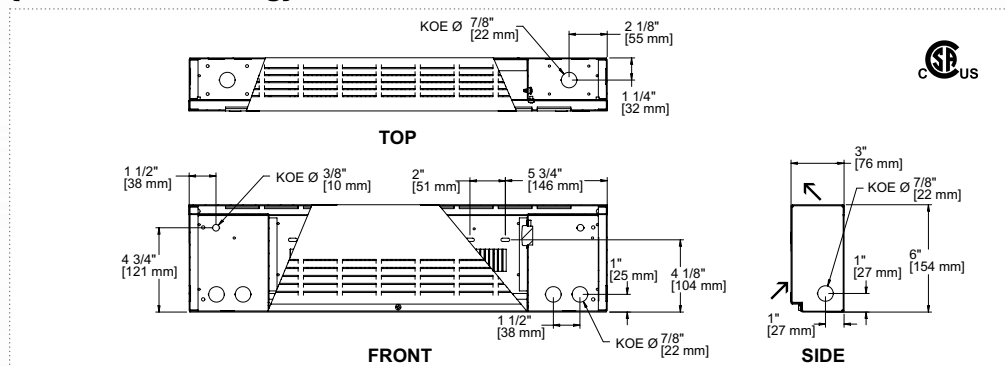
electronic relays can receive a pulsed or on/off signal

\* add **W** for white or **A** for almond

\* factory installed

\* factory installation is strongly recommended

**{technical drawing}**



{selection table}

250 W density per linear foot		200 W density per linear foot		150 W density per linear foot		voltage	width		weight	
code	watts	code	watts	code	watts		volts	mm	in.	kg
SCA6051	500	SCA6041	400	SCA6031	300	120	600	23 5/8	4.1	9
SCA6058	500	SCA6048	400	SCA6038	300	208	600	23 5/8	4.1	9
SCA6052	500	SCA6042	400	SCA6032	300	240	600	23 5/8	4.1	9
SCA6057	500	---	400	---	300	277	600	23 5/8	4.1	9
SCA6053	500	---	400	---	300	347	600	23 5/8	4.1	9
---	500	---	400	---	300	480	600	23 5/8	4.1	9
---	500	---	400	---	300	600	600	23 5/8	4.1	9
SCA9071	750	SCA9061	600	SCA9041	450	120	900	35 7/16	9.1	20
SCA9078	750	SCA9068	600	SCA9048	450	208	900	35 7/16	9.1	20
SCA9072	750	SCA9062	600	SCA9042	450	240	900	35 7/16	9.1	20
SCA9077	750	SCA9067	600	SCA9047	450	277	900	35 7/16	9.1	20
SCA9073	750	SCA9063	600	SCA9043	450	347	900	35 7/16	9.1	20
SCA9075	750	---	600	---	450	480	900	35 7/16	9.1	20
SCA9076	750	---	600	---	450	600	900	35 7/16	9.1	20
SCA12101	1000	SCA12081	800	SCA12061	600	120	1200	47 1/4	8.0	17
SCA12108	1000	SCA12088	800	SCA12068	600	208	1200	47 1/4	8.0	17
SCA12102	1000	SCA12082	800	SCA12062	600	240	1200	47 1/4	8.0	17
SCA12107	1000	SCA12087	800	SCA12067	600	277	1200	47 1/4	8.0	17
SCA12103	1000	SCA12083	800	SCA12063	600	347	1200	47 1/4	8.0	17
SCA12105	1000	SCA12085	800	---	600	480	1200	47 1/4	8.0	17
SCA12106	1000	SCA12086	800	---	600	600	1200	47 1/4	8.0	17
SCA15121	1250	SCA15101	1000	SCA15071	750	120	1500	59 1/16	9.0	20
SCA15128	1250	SCA15108	1000	SCA15078	750	208	1500	59 1/16	9.0	20
SCA15122	1250	SCA15102	1000	SCA15072	750	240	1500	59 1/16	9.0	20
SCA15127	1250	SCA15107	1000	SCA15077	750	277	1500	59 1/16	9.0	20
SCA15123	1250	SCA15103	1000	SCA15073	750	347	1500	59 1/16	9.0	20
SCA15125	1250	SCA15105	1000	SCA15075	750	480	1500	59 1/16	9.0	20
SCA15126	1250	SCA15106	1000	SCA15076	750	600	1500	59 1/16	9.0	20
SCA18151	1500	SCA18121	1200	SCA18091	900	120	1800	70 7/8	11.0	25
SCA18158	1500	SCA18128	1200	SCA18098	900	208	1800	70 7/8	11.0	25
SCA18152	1500	SCA18122	1200	SCA18092	900	240	1800	70 7/8	11.0	25
SCA18157	1500	SCA18127	1200	SCA18097	900	277	1800	70 7/8	11.0	25
SCA18153	1500	SCA18123	1200	SCA18093	900	347	1800	70 7/8	11.0	25
SCA18155	1500	SCA18125	1200	SCA18095	900	480	1800	70 7/8	11.0	25
SCA18156	1500	SCA18126	1200	SCA18096	900	600	1800	70 7/8	11.0	25
---	1750	SCA21141	1400	SCA21101	1050	120	2100	82 11/16	13.0	29
SCA21178	1750	SCA21148	1400	SCA21108	1050	208	2100	82 11/16	13.0	29
SCA21172	1750	SCA21142	1400	SCA21102	1050	240	2100	82 11/16	13.0	29
SCA21177	1750	SCA21147	1400	SCA21107	1050	277	2100	82 11/16	13.0	29
SCA21173	1750	SCA21143	1400	SCA21103	1050	347	2100	82 11/16	13.0	29
SCA21175	1750	SCA21145	1400	SCA21105	1050	480	2100	82 11/16	13.0	29
SCA21176	1750	SCA21146	1400	SCA21106	1050	600	2100	82 11/16	13.0	29
---	2000	---	1600	SCA24121	1200	120	2400	94 1/2	16.0	34
SCA24208	2000	SCA24168	1600	SCA24128	1200	208	2400	94 1/2	16.0	34
SCA24202	2000	SCA24162	1600	SCA24122	1200	240	2400	94 1/2	16.0	34
SCA24207	2000	SCA24167	1600	SCA24127	1200	277	2400	94 1/2	16.0	34
SCA24203	2000	SCA24163	1600	SCA24123	1200	347	2400	94 1/2	16.0	34
SCA24205	2000	SCA24165	1600	SCA24125	1200	480	2400	94 1/2	16.0	34
SCA24206	2000	SCA24166	1600	SCA24126	1200	600	2400	94 1/2	16.0	34
---	2250	---	1800	SCA27131	1350	120	2700	106 5/16	17.0	37
SCA27228	2250	SCA27188	1800	SCA27138	1350	208	2700	106 5/16	17.0	37
SCA27222	2250	SCA27182	1800	SCA27132	1350	240	2700	106 5/16	17.0	37
SCA27227	2250	SCA27187	1800	SCA27137	1350	277	2700	106 5/16	17.0	37
SCA27223	2250	SCA27183	1800	SCA27133	1350	347	2700	106 5/16	17.0	37
SCA27225	2250	SCA27185	1800	SCA27135	1350	480	2700	106 5/16	17.0	37
SCA27226	2250	SCA27186	1800	SCA27136	1350	600	2700	106 5/16	17.0	37
---	2500	---	2000	SCA27151	1500	120	2700	106 5/16	17.0	37
SCA27258	2500	SCA27208	2000	SCA27158	1500	208	2700	106 5/16	17.0	37
SCA27252	2500	SCA27202	2000	SCA27152	1500	240	2700	106 5/16	17.0	37
SCA27257	2500	SCA27207	2000	SCA27157	1500	277	2700	106 5/16	17.0	37
SCA27253	2500	SCA27203	2000	SCA27153	1500	347	2700	106 5/16	17.0	37
SCA27255	2500	SCA27205	2000	SCA27155	1500	480	2700	106 5/16	17.0	37
SCA27256	2500	SCA27206	2000	SCA27156	1500	600	2700	106 5/16	17.0	37

add W for white or A for almond.  
 --- not available

SCA