

Ideal for home and business

Flexibility is the key with this truly affordable convector, adaptable to various locations. It is the perfect choice for many residential and commercial applications.

The SC series is skilfully built with smooth, rounded corners, sure to compliment any décor. Furthermore, it provides power ranging from 1000 W to 2000 W and offers a high level of performance.

This model is sold without a thermostat, thus leaving you the choice of controls. Regardless of the power supply (120 V, 208 V, 240 V, 277 V, 347 V, 480 V or 600 V), the SC convector steps up to the plate.



{features}

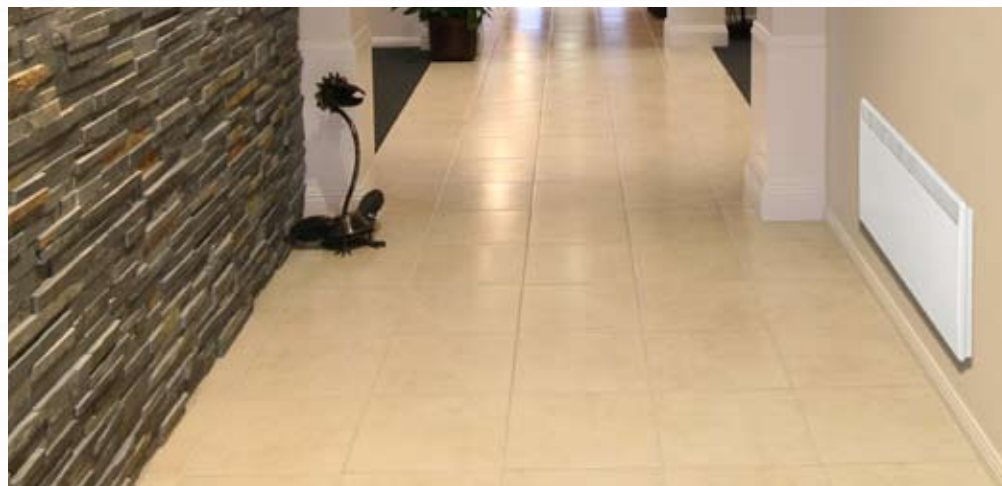
color	white (W) or almond (A)
finish	epoxy-polyester powdercoat
manufacturing	<ul style="list-style-type: none"> · 20-gauge steel cabinet · bottom air intake and front air discharge
wattage & voltage	see the selection table
elements	<ul style="list-style-type: none"> · double tubular, stainless steel sheathed elements with boxed aluminum fins for improved heat dissipation · floating in nylon sleeves at each end, eliminating expansion and contraction noises
control	not included
installation	<ul style="list-style-type: none"> · surface mount · wall-mounted at least 4 in. from the floor · concealed mounting bracket (included) · back entry plate with cable clamps (included)
warranty	<ul style="list-style-type: none"> · 1 year (unit) · 10 years (element)

{accessories}

code	description
SCRE153*	built-in electronic low voltage relay [15 A @ 120, 208, 277 or 347 V]
SCRE156*	built-in electronic low voltage relay [6 A @ 600 V]
SCRE153T*	built-in electronic low voltage relay c/w transformer 24 V [15 A @ 208, 277 or 347 V]

electronic relays can receive a pulsed or on/off signal

* factory installed

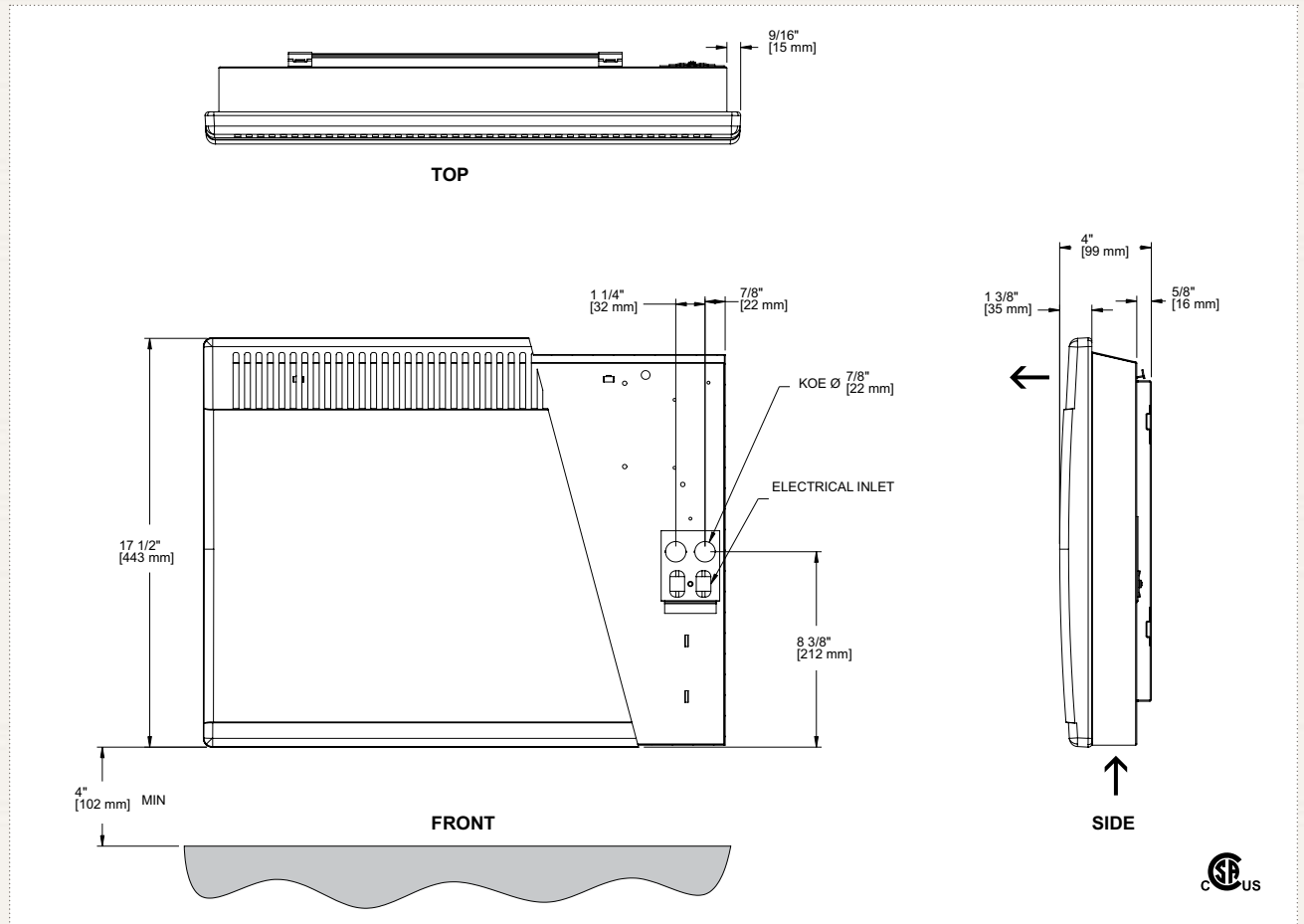


{selection table}

product code	power		width		weight	
	watts	volts	mm	in.	kg	lb
SC101	1000	120	581	22 7/8	5.5	12.1
SC108	1000	208	581	22 7/8	5.5	12.1
SC102	1000/750	240/208	581	22 7/8	5.5	12.1
SC107	1000	277	581	22 7/8	5.5	12.1
SC103	1000	347	581	22 7/8	5.5	12.1
SC105	1000	480	581	22 7/8	5.5	12.1
SC106	1000	600	581	22 7/8	5.5	12.1
SC151	1500	120	726	28 9/16	7.2	15.8
SC158	1500	208	726	28 9/16	7.2	15.8
SC152	1500/1125	240/208	726	28 9/16	7.2	15.8
SC157	1500	277	726	28 9/16	7.2	15.8
SC153	1500	347	726	28 9/16	7.2	15.8
SC155	1500	480	726	28 9/16	7.2	15.8
SC156	1500	600	726	28 9/16	7.2	15.8
SC208	2000	208	889	35	8.6	19.0
SC202	2000/1500	240/208	889	35	8.6	19.0
SC207	2000	277	889	35	8.6	19.0
SC203	2000	347	889	35	8.6	19.0
SC205	2000	480	889	35	8.6	19.0
SC206	2000	600	889	35	8.6	19.0

add **W** for white or **A** for almond

{technical drawing}



SC