

Supersize your heat

Ideal for commercial establishments and factories, this new air curtain is so powerful!

It inhibits the entry of cold air into buildings resulting from the repetitive opening of doors and/or windows.

Developed for its intensity, we could not ignore style, which is why this heater is very appealing to look at, allowing it to be installed in areas not only requiring performance but good taste as well.

Primarily designed for restaurant drive-thru services, this heater is not limited to that application.



{features}

color	white (W) or almond (A)
finish	epoxy-polyester powdercoat
manufacturing	<ul style="list-style-type: none"> · 18-gauge steel cabinet · centrifugal fan · thermal protection with automatic reset
wattage & voltage	see the selection table
element	open-coil, nichrome element producing instant heat
control	<ul style="list-style-type: none"> · high/low switch · on/off switch · fan/heat switch · 24 V circuit [included with C24 series] for use with external low voltage door contact (not included) · built-in thermostat [included with CT series]
installation	<ul style="list-style-type: none"> · wall-mounted · suspended with four 3/8 in. threaded rods (not included)
warranty	<ul style="list-style-type: none"> · 10 years (element) · 1 year (unit)

SDC



The SDC is very easy to use with only 3 control options.

- High/Low
- On/Off
- Heating or fan-only modes



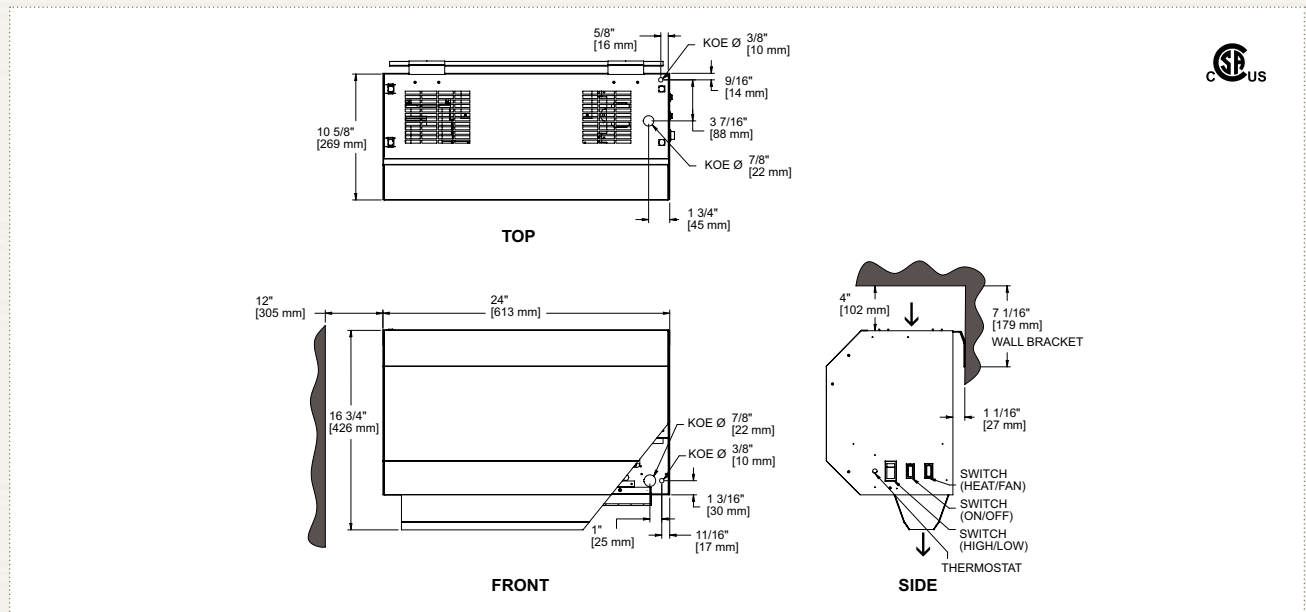
 **pages 90 to 96**
wall thermostats & accessories

{selection table}

240 V contactor code	240 V contactor & built-in th. code	24 V control code	power watts	voltage volts	phase nb.	power high/low btu/h	width mm in.		weight kg lb		flow cfm	nb. motors
single unit												
SDC0581C	SDC0581CT	SDC0581C24	5000/2500	208	1	10239/17065	613	24 1/8	23.6	52	1 X 1050	1
SDC0583C	SDC0583CT	SDC0583C24	5000/2500	208	3	10239/17065	613	24 1/8	23.6	52	1 X 1050	1
SDC0521C	SDC0521CT	SDC0521C24	5000/2500	240	1	10239/17065	613	24 1/8	23.6	52	1 X 1050	1
SDC0571C	SDC0571CT	SDC0571C24	5000/2500	277	1	10239/17065	613	24 1/8	23.6	52	1 X 1050	1
SDC0531C	SDC0531CT	SDC0531C24	5000/2500	347	1	10239/17065	613	24 1/8	23.6	52	1 X 1050	1
SDC0551C	SDC0551CT	SDC0551C24	5000/2500	480	1	10239/17065	613	24 1/8	23.6	52	1 X 1050	1
SDC0553C	SDC0553CT	SDC0553C24	5000/2500	480	3	10239/17065	613	24 1/8	23.6	52	1 X 1050	1
SDC0561C	SDC0561CT	SDC0561C24	5000/2500	600	1	10239/17065	613	24 1/8	23.6	52	1 X 1050	1
SDC0563C	SDC0563CT	SDC0563C24	5000/2500	600	3	10239/17065	613	24 1/8	23.6	52	1 X 1050	1
double unit												
SDC1081C	SDC1081CT	SDC1081C24	10000/5000	208	1	20478/34130	1219	48	47.2	104	2 X 1050	2
SDC1083C	SDC1083CT	SDC1083C24	10000/5000	208	3	20478/34130	1219	48	47.2	104	2 X 1050	2
SDC1021C	SDC1021CT	SDC1021C24	10000/5000	240	1	20478/34130	1219	48	47.2	104	2 X 1050	2
SDC1071C	SDC1071CT	SDC1071C24	10000/5000	277	1	20478/34130	1219	48	47.2	104	2 X 1050	2
SDC1031C	SDC1031CT	SDC1031C24	10000/5000	347	1	20478/34130	1219	48	47.2	104	2 X 1050	2
SDC1051C	SDC1051CT	SDC1051C24	10000/5000	480	1	20478/34130	1219	48	47.2	104	2 X 1050	2
SDC1053C	SDC1053CT	SDC1053C24	10000/5000	480	3	20478/34130	1219	48	47.2	104	2 X 1050	2
SDC1061C	SDC1061CT	SDC1061C24	10000/5000	600	1	20478/34130	1219	48	47.2	104	2 X 1050	2
SDC1063C	SDC1063CT	SDC1063C24	10000/5000	600	3	20478/34130	1219	48	47.2	104	2 X 1050	2
triple unit												
SDC1581C	SDC1581CT	SDC1581C24	15000/7500	208	1	30717/51195	1829	72	70.8	156	3 X 1050	3
SDC1583C	SDC1583CT	SDC1583C24	15000/7500	208	3	30717/51195	1829	72	70.8	156	3 X 1050	3
SDC1521C	SDC1521CT	SDC1521C24	15000/7500	240	1	30717/51195	1829	72	70.8	156	3 X 1050	3
SDC1571C	SDC1571CT	SDC1571C24	15000/7500	277	1	30717/51195	1829	72	70.8	156	3 X 1050	3
SDC1531C	SDC1531CT	SDC1531C24	15000/7500	347	1	30717/51195	1829	72	70.8	156	3 X 1050	3
SDC1551C	SDC1551CT	SDC1551C24	15000/7500	480	1	30717/51195	1829	72	70.8	156	3 X 1050	3
SDC1553C	SDC1553CT	SDC1553C24	15000/7500	480	3	30717/51195	1829	72	70.8	156	3 X 1050	3
SDC1561C	SDC1561CT	SDC1561C24	15000/7500	600	1	30717/51195	1829	72	70.8	156	3 X 1050	3
SDC1563C	SDC1563CT	SDC1563C24	15000/7500	600	3	30717/51195	1829	72	70.8	156	3 X 1050	3
quadruple unit												
SDC2081C	SDC2081CT	SDC2081C24	20000/10000	208	1	40956/68260	2438	96	94.4	208	4 X 1050	4
SDC2083C	SDC2083CT	SDC2083C24	20000/10000	208	3	40956/68260	2438	96	94.4	208	4 X 1050	4
SDC2021C	SDC2021CT	SDC2021C24	20000/10000	240	1	40956/68260	2438	96	94.4	208	4 X 1050	4
SDC2071C	SDC2071CT	SDC2071C24	20000/10000	277	1	40956/68260	2438	96	94.4	208	4 X 1050	4
SDC2031C	SDC2031CT	SDC2031C24	20000/10000	347	1	40956/68260	2438	96	94.4	208	4 X 1050	4
SDC2051C	SDC2051CT	SDC2051C24	20000/10000	480	1	40956/68260	2438	96	94.4	208	4 X 1050	4
SDC2053C	SDC2053CT	SDC2053C24	20000/10000	480	3	40956/68260	2438	96	94.4	208	4 X 1050	4
SDC2061C	SDC2061CT	SDC2061C24	20000/10000	600	1	40956/68260	2438	96	94.4	208	4 X 1050	4
SDC2063C	SDC2063CT	SDC2063C24	20000/10000	600	3	40956/68260	2438	96	94.4	208	4 X 1050	4

add W for white or A for almond

{technical drawing}



SDC