

The SIL2030, a tough act to follow

Inspired in design by our Silhouette electronic convector series, this sleek little heater really packs a punch. Being the smallest in its class has helped to make it the leader, offering discreet forced-air heating in 1000 and 2000 watts.

Designed with versatility in mind, the SIL2030 can be recessed into the wall or surface mounted onto the wall. It comes equipped with a built-in thermostat and a 30-minute timer, producing 1000 watts when operated by the thermostat and 2000 watts when in timer mode. Taking a shower or a bath? Start-up the timer to increase your comfort.



{features}

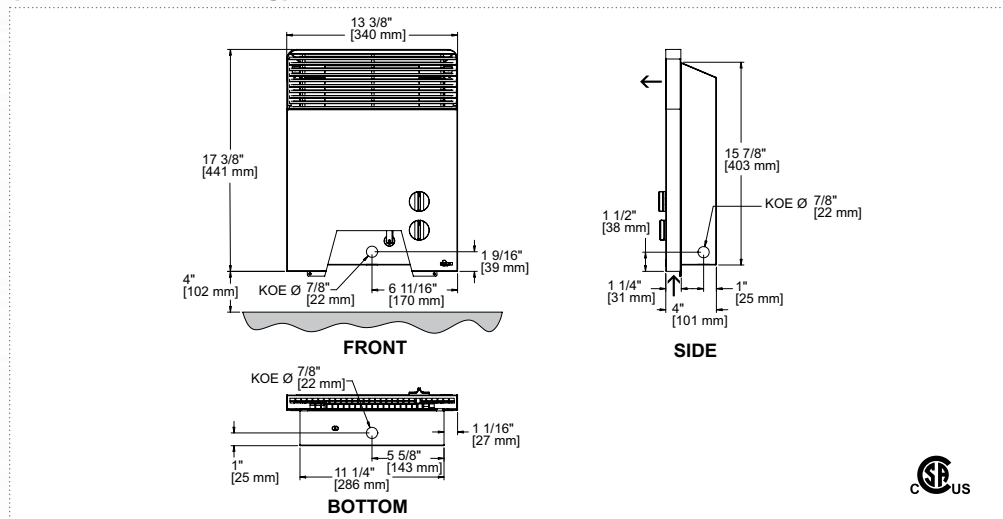
color	white (W), almond (A) or stainless steel (SS)
finish	epoxy-polyester powdercoat
manufacturing	<ul style="list-style-type: none"> centrifugal fan ensuring a quiet and efficient airflow thermal protection with automatic reset bottom air intake and front air discharge safe rounded corners
wattage & voltage	see the selection table
element	element producing instant heat
control	<ul style="list-style-type: none"> built-in thermostat ensuring a regular 1000 W heating (included) 30-minute built-in timer for rapid 2000 W heating (included)
installation	<ul style="list-style-type: none"> surface mount wall-mounted at least 4 in. from the floor
warranty	<ul style="list-style-type: none"> 10 years (element) 1 year (unit)

{selection table}

product	convection	forced-air	voltage	height		width		weight	
code	watts	watts	volts	mm	in.	mm	in.	kg	lb
SIL2030	1000/750	2000/1500	240/208	441	17 3/8	340	13 3/8	4.9	12.1

add W for white, A for almond or SS for stainless steel

{technical drawing}



built-in thermostat
for a convection heating of 1000 W

timer
30-minute built-in timer activates a forced-air heating of 2000 W



SIL2030