

**Convection and forced-air combined in a single unit**

Extreme power, perfect comfort!  
 Made available following years of research, these bathroom heating units are extremely quiet.  
 What's more, they are available with a powerful fan allowing them to double the capacity of their heating element in no time at all.

They are controlled with two buttons: the first is used to control natural convection and the second, to control the fan.  
 Nothing can be easier.



**{features}**

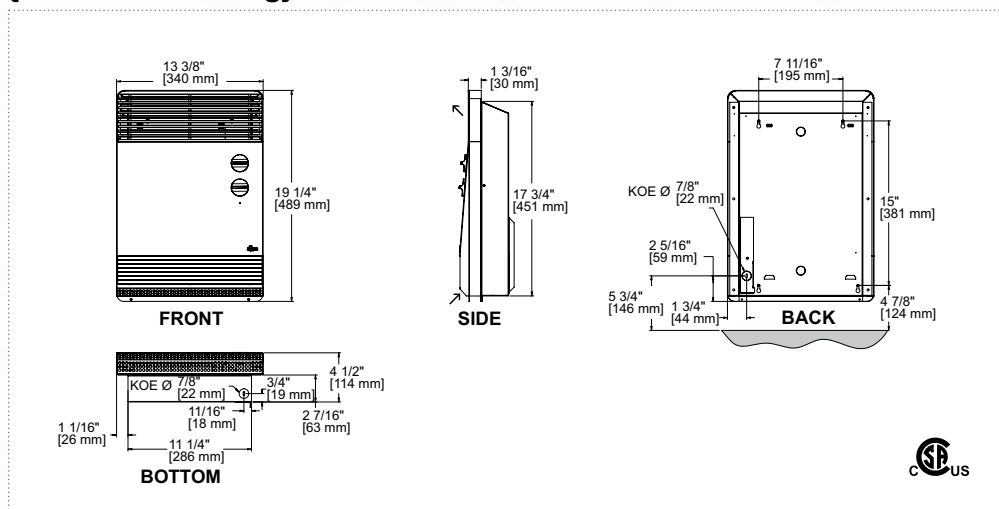
<b>color</b>	white (W), almond (A) or stainless steel (SS)
<b>finish</b>	coated with an ultra-resistant and easy-to-clean polyurethane powdercoat
<b>manufacturing</b>	20-gauge steel cabinet
<b>wattage &amp; voltage</b>	see the selection table
<b>element</b>	<ul style="list-style-type: none"> <li>open-coil, nichrome element producing instant heat</li> <li>ensuring instantaneous and economical heating</li> </ul>
<b>control</b>	<ul style="list-style-type: none"> <li>built-in thermostat for regular 500 W heating (included)</li> <li>60-minute built-in timer for rapid 1500 W heating (included)</li> </ul>
<b>installation</b>	<ul style="list-style-type: none"> <li>surface mounted</li> <li>recessed into the wall (opening: 11 1/4 x 18 1/4 in.)</li> <li>wall-mounted at least 4 in. from the floor</li> </ul>
<b>warranty</b>	<ul style="list-style-type: none"> <li>10 years (element)</li> <li>1 year (unit)</li> </ul>

**{selection table}**

product code	convection watts	forced-air watts	voltage volts	height mm	height in.	width mm	width in.	weight kg	weight lb
SILVC1560	500/375	1500/1125	240/208	489	19 1/4	340	13 3/8	8.2	18

add W for white, A for almond or SS for stainless steel

**{technical drawing}**



**zero decibel!**  
 convection heating mode

**built-in thermostat**  
 for a convection heating of 500 W

**timer**  
 60-minute built-in timer activates a forced-air heating of 1500 W

