



Economical and efficient

This range of bathroom fans was especially designed for small rooms. Among their advantages, the refined grill, an air outlet that can be adapted to fit with a duct of 4 inches in diameter, and the attractive price. Can extract 50 or 70 cubic feet of air per minute depending on the chosen model.

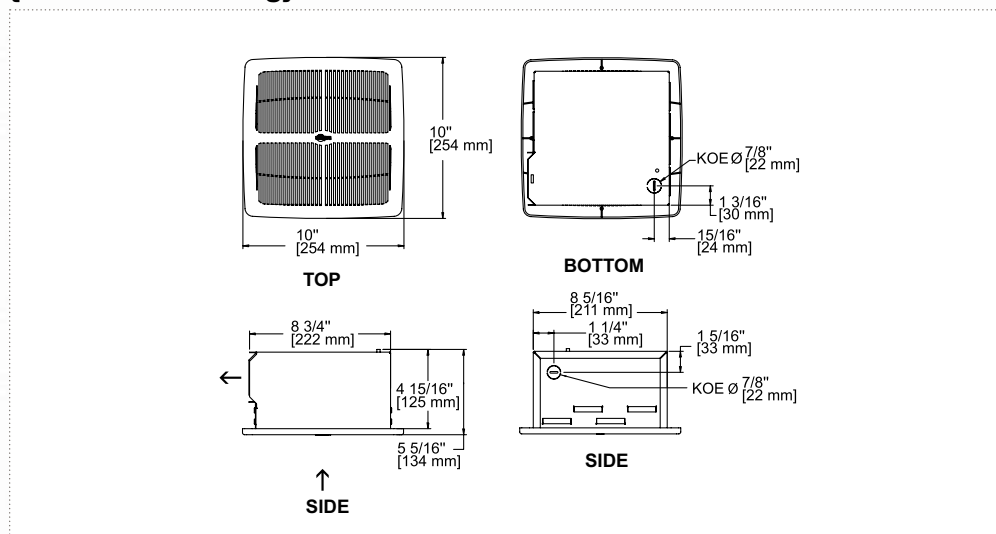
{features}

color	white
manufacturing	· plastic grille with rounded corners · 4-inch duct
dimensions	10 x 10 in. grille
control	· single switch (not included)
installation	· ceiling recessed · installed on the ceiling joist or roof truss
warranty	1 year

{selection table}

product	sound level	flow	duct	capacity	weight	
code	sones	cfm	in.	ft ²	kg	lb
SPBF050	0.6	50	4	45	2.3	5.3
SPBF070	1.5	70	4	65	2.5	5.4

{technical drawing}



@ **ventilation calculator**
visit our Website!
www.stelpro.com