

**Efficient yet affordable**

The **SRH** hood is efficient in taking care of cooking fumes. Its easy-to-reach buttons control the extraction speed and light the integrated bulb. Moreover, its large inner shell is easy to clean. It can be ducted to the exterior through a wall or ceiling or used with a charcoal filter for mandatory air recirculation.



**SELECT**

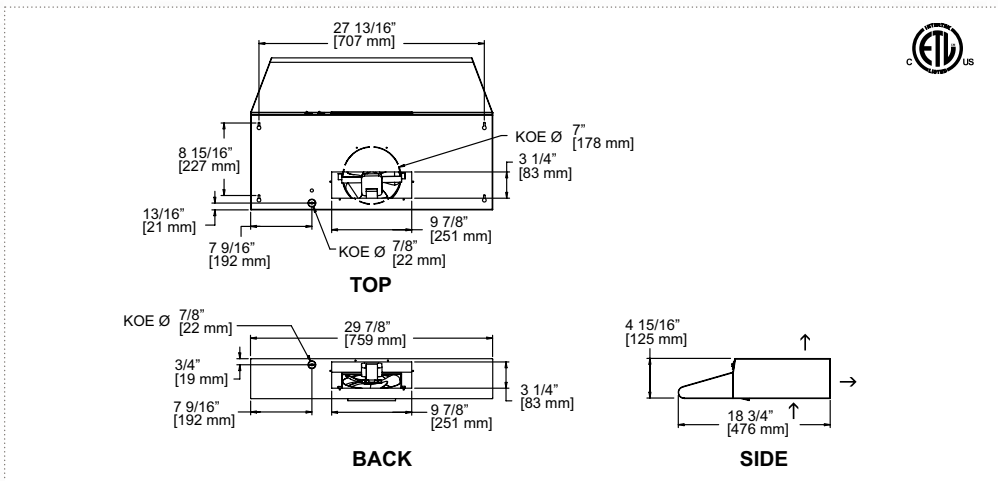
**{features}**

<b>color</b>	white (W), almond (A) or black (BK)
<b>manufacturing</b>	<ul style="list-style-type: none"> <li>· dual speed fan</li> <li>· washable anti-grease filter (included)</li> </ul>
<b>control</b>	<ul style="list-style-type: none"> <li>· on/off switch</li> <li>· integrated light (bulb not included)</li> </ul>
<b>installation</b>	<ul style="list-style-type: none"> <li>· vertical or horizontal installation</li> <li>· installation with or without duct rectangular or round</li> <li>· anti-odour charcoal filter (optional)</li> <li>· maximum distance : 30 in. (gas or electrical range)</li> <li>· minimum distance : 20 in. (electrical range); 24 in. (gas range)</li> </ul>
<b>warranty</b>	1 year

**{selection table}**

product	vertical/round		vertical/rectangular		horizontal/rectangular		color
	sones	cfm	sones	cfm	sones	cfm	
<b>SRH20030W</b>	7.9	212	7.0	173	7.4	175	white
<b>SRH20030A</b>	7.9	212	7.0	173	7.4	175	almond
<b>SRH20030BK</b>	7.9	212	7.0	173	7.4	175	black

**{technical drawing}**



**installation**  
with or without duct,  
vertical or horizontal  
position

**filter**  
washable and anti grease  
(included)

**lighting**  
integrated light (bulb not  
included)

**speeds**  
dual speed fan

**{installation}**

