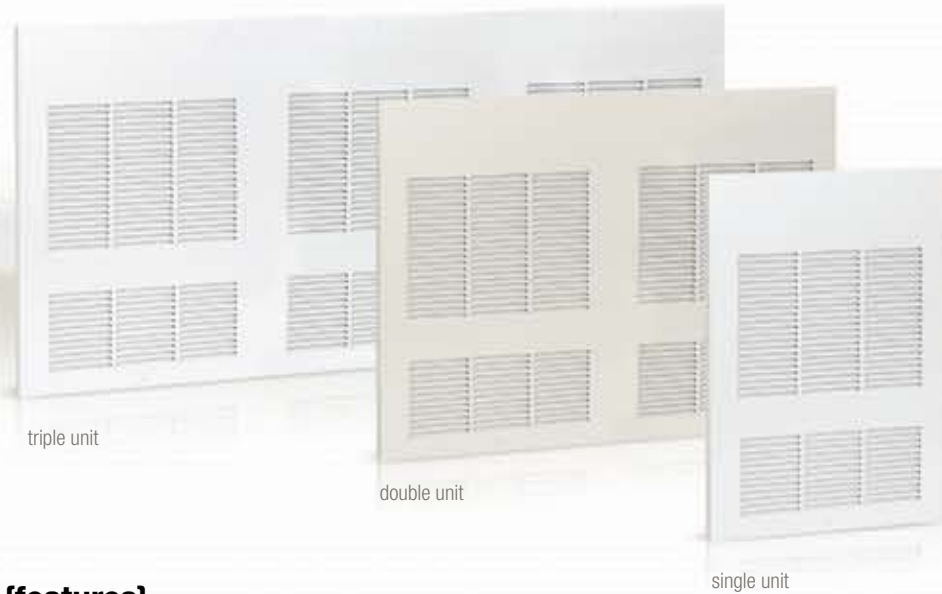


Fan-driven heat in all shapes and sizes

Because it is the most versatile forced-air heater of its kind, you can always rely on the **WF** wall fan heater to provide for quick heat loss recovery. It is the ideal choice for commercial buildings, hallways and lobbies that require high heating capacity.

Available in a variety of wattages and voltages, the **WF** heater is an efficient heating solution that won't break your budget.



{features}

color	white (W) or almond (A)
finish	epoxy-polyester powdercoat
manufacturing	<ul style="list-style-type: none"> - 20-gauge steel cabinet - 18-gauge steel grille - top air intake with bottom air discharge - fan : <ul style="list-style-type: none"> - 1 x 160 cfm (single unit) - 2 x 160 cfm (double unit) - 3 x 160 cfm (triple unit) - thermal protection with automatic reset
wattage & voltage	see the selection table
element	open-coil, nichrome element producing instant heat
installation	<ul style="list-style-type: none"> - wall-mounted - recessed or surface-mounted with surface adapter - optional (not included)
warranty	<ul style="list-style-type: none"> - 10 years (element) - 1 year (unit)

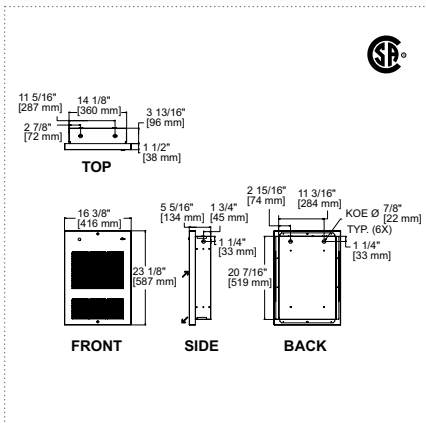
{accessories}

code	description
WFT1	built-in single pole thermostat
WFT2	built-in double pole thermostat
WFA1*	surface adapter (single unit)
WFA2*	surface adapter (double unit)
WFA3*	surface adapter (triple unit)

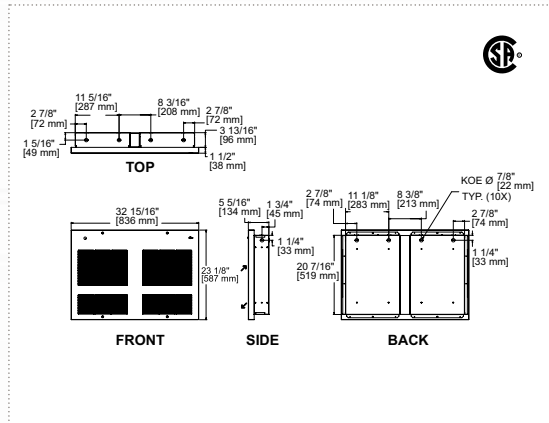
* add W for white or A for almond

{technical drawings }

single unit



double unit



pages 90 to 96 wall thermostats & accessories

approved according to the Canadian standards only

{selection table}

without control	built-in thermostat	240 V contactor	240 V contactor & built-in thermostat	24 V control	power	voltage	weight	model
code	code	code	code	code	watts	volts	kg	lb
WF1502	WF1502T	WF1502C	---	WF1502C24	1500/1125	240/208	9	20
WF1508	WF1508T	WF1508C	---	WF1508C24	1500	208	9	20
WF1507	WF1507T	WF1507C	---	WF1507C24	1500	277	9	20
---	WF1503T	WF1503C	---	WF1503C24	1500	347	9	20
---	WF1505T	WF1505C	---	WF1505C24	1500	480	9	20
---	WF1506T	WF1506C	---	WF1506C24	1500	600	10	22
WF2002	WF2002T	WF2002C	---	WF2002C24	2000/1500	240/208	9	20
WF2008	WF2008T	WF2008C	---	WF2008C24	2000	208	9	20
WF2007	WF2007T	WF2007C	---	WF2007C24	2000	277	9	20
---	WF2003T	WF2003C	---	WF2003C24	2000	347	9	20
---	WF2005T	WF2005C	---	WF2005C24	2000	480	9	20
---	WF2006T	WF2006C	---	WF2006C24	2000	600	10	22
WF3002	WF3002T	WF3002C	---	WF3002C24	3000/2250	240/208	9	20
WF3008	WF3008T	WF3008C	---	WF3008C24	3000	208	9	20
WF3007	WF3007T	WF3007C	---	WF3007C24	3000	277	9	20
---	WF3003T	WF3003C	---	WF3003C24	3000	347	9	20
---	WF3005T	WF3005C	---	WF3005C24	3000	480	9	20
---	WF3006T	WF3006C	---	WF3006C24	3000	600	10	22
WF4002	WF4002T	WF4002C	---	WF4002C24	4000/3000	240/208	9	20
WF4008	WF4008T	WF4008C	---	WF4008C24	4000	208	9	20
WF4007	WF4007T	WF4007C	---	WF4007C24	4000	277	9	20
---	WF4003T	WF4003C	---	WF4003C24	4000	347	9	20
---	WF4005T	WF4005C	---	WF4005C24	4000	480	9	20
---	WF4006T	WF4006C	---	WF4006C24	4000	600	10	22
---	WF6002T	WF6002C	---	WF6002C24	6000/4500	240/208	18	40
---	---	WF6008C	WF6008CT	WF6008C24	6000	208	18	40
---	WF6007T	WF6007C	---	WF6007C24	6000	277	18	40
---	WF6003T	WF6003C	---	WF6003C24	6000	347	18	40
---	WF6005T	WF6005C	---	WF6005C24	6000	480	20	44
---	WF6006T	WF6006C	---	WF6006C24	6000	600	20	44
---	---	WF60083C*	WF60083CT*	WF60083C24*	6000	208	36	80
---	---	WF60053C*	WF60053CT*	WF60053C24*	6000	480	36	80
---	---	WF60063C*	WF60063CT*	WF60063C24*	6000	600	36	80
---	---	WF8002C	WF8002CT	WF8002C24	8000/6000	240/208	18	40
---	---	WF8008C	WF8008CT	WF8008C24	8000	208	18	40
---	---	WF8007C	WF8007CT	WF8007C24	8000	277	18	40
---	---	WF8003C	WF8003CT	WF8003C24	8000	347	18	40
---	---	WF8005C	WF8005CT	WF8005C24	8000	480	20	44
---	---	WF8006C	WF8006CT	WF8006C24	8000	600	20	44
---	---	WF90083C*	WF90083CT*	WF90083C24*	9000	208	36	80
---	---	WF90053C*	WF90053CT*	WF90053C24*	9000	480	36	80
---	---	WF90063C*	WF90063CT*	WF90063C24*	9000	600	36	80
---	---	WF12002C	WF12002CT	WF12002C24	12000/9000	240/208	36	80
---	---	WF12008C	WF12008CT	WF12008C24	12000	208	36	80
---	---	WF12007C	WF12007CT	WF12007C24	12000	277	36	80
---	---	WF12003C	WF12003CT	WF12003C24	12000	347	36	80
---	---	WF12005C	WF12005CT	WF12005C24	12000	480	36	80
---	---	WF12006C	WF12006CT	WF12006C24	12000	600	36	80
---	---	WF120083C*	WF120083CT*	WF120083C24*	12000	208	36	80
---	---	WF120053C*	WF120053CT*	WF120053C24*	480	36	80	
---	---	WF120063C*	WF120063CT*	WF120063C24*	12000	600	36	80

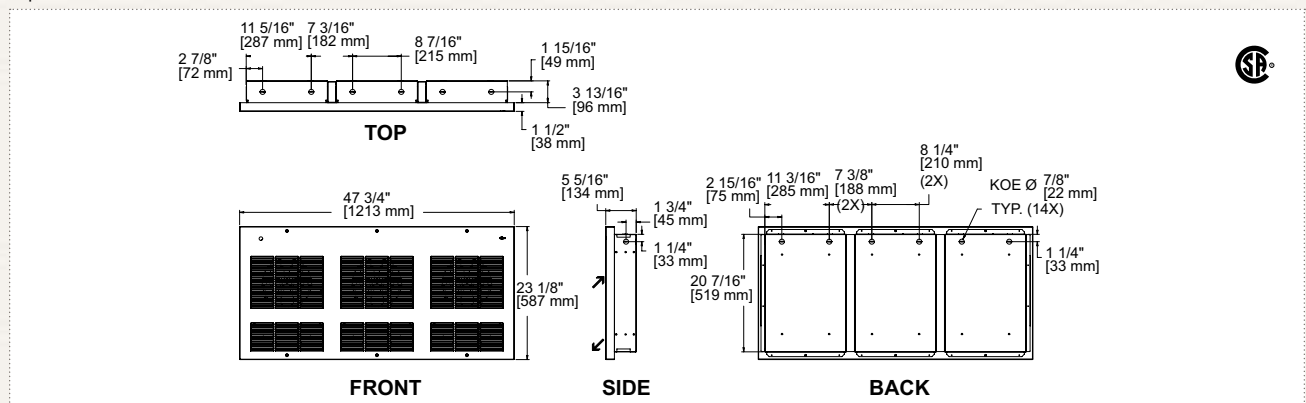
add W for white or A for almond

* three-phase unit

--- not available

{technical drawings}

triple unit



WF