

# CBF

## COMMERCIAL BASEBOARD



### A STURDY BASEBOARD THAT CAN BE RECESSED

The CBF commercial baseboard heater is a suitable choice for commercial buildings, passageways and any other public establishment where wall space is precious and recessed installation is ideal. Surface mountable as well, this heater looks great on its own or installed one end to end in a continuous fashion around the perimeter of a room or corridor.

#### CAN BE RECESSED

DIRECTLY UNDER WINDOWS

#### OFFERED IN THREE WATT DENSITIES

BLANK SECTIONS AVAILABLE  
FOR A CONTINUOUS LOOK

#### COLORS

- **standard:** white, soft white
- **Orora (optional):** refer to [www.stelpro.com/en-US/Orora](http://www.stelpro.com/en-US/Orora)

#### FINISH

- epoxy-polyester powdercoat

#### MANUFACTURING

- 18-gauge steel cabinet and 16-gauge steel front panel
- thermal protection with automatic reset
- full-length wireway
- pencil-proof openings of less than 1/4 in. prevent foreign objects from entering the unit

#### ELEMENT

- single tubular, stainless steel sheathed element with boxed aluminum fins for improved heat dissipation; the element is securely fastened at its centre, floating in nylon sleeves at each end, eliminating expansion and contraction noises

#### CONTROL

- wall thermostat (not included) – the use of an electronic thermostat is strongly recommended
- built-in tamper-proof thermostat accessible without removing front grille, installed in the left or right junction box (optional)
- low voltage relay kit installed in the left or right junction box (optional)

#### INSTALLATION

- surface mounted or wall recessed with four-piece trim frame (optional)
- wall or floor mounted with or without pedestal kit (optional)
- wiring compartments at both ends of unit
- blank sections (custom lengths) and accessories are available for a continuous look (optional)

#### WARRANTY

- three years

#### IDEAL FOR:

school, shopping mall, hospital

# °STELPRO

Stelpro reserves the right to modify descriptions, manufacturing specifications or prices without prior notice. No returns accepted on optional-color products. For all the latest models and prices, please refer to our website at [www.stelpro.com](http://www.stelpro.com).



# TECHNICAL SPECIFICATIONS

250 W PER LINEAR FOOT			200 W PER LINEAR FOOT			150 W PER LINEAR FOOT			VOLTAGE	LENGTH	WEIGHT
CODE	WATTS	BTU/H	CODE	WATTS	BTU/H	CODE	WATTS	BTU/H	VOLTS	IN.	LB
CBF6051	500	1706	CBF6041	400	1365	CBF6031	300	1024	120	23 5/8	14
CBF6058	500	1706	CBF6048	400	1365	CBF6038	300	1024	208	23 5/8	14
CBF6052	500	1706	CBF6042	400	1365	CBF6032	300	1024	240	23 5/8	14
CBF6057	500	1706	---	400	1365	---	300	1024	277	23 5/8	14
---	500	1706	---	400	1365	---	300	1024	480	23 5/8	14
CBF9071	750	2560	CBF9061	600	2048	CBF9041	450	1536	120	35 7/16	20
CBF9078	750	2560	CBF9068	600	2048	CBF9048	450	1536	208	35 7/16	20
CBF9072	750	2560	CBF9062	600	2048	CBF9042	450	1536	240	35 7/16	20
CBF9077	750	2560	CBF9067	600	2048	CBF9047	450	1536	277	35 7/16	20
CBF9075	750	2560	---	600	2048	---	450	1536	480	35 7/16	20
CBF12101	1000	3413	CBF12081	800	2730	CBF12061	600	2048	120	47 1/4	30
CBF12108	1000	3413	CBF12088	800	2730	CBF12068	600	2048	208	47 1/4	30
CBF12102	1000	3413	CBF12082	800	2730	CBF12062	600	2048	240	47 1/4	30
CBF12107	1000	3413	CBF12087	800	2730	CBF12067	600	2048	277	47 1/4	30
CBF12105	1000	3413	CBF12085	800	2730	---	600	2048	480	47 1/4	30
CBF15121	1250	4266	CBF15101	1000	3413	CBF15071	750	2560	120	59 1/16	37
CBF15128	1250	4266	CBF15108	1000	3413	CBF15078	750	2560	208	59 1/16	37
CBF15122	1250	4266	CBF15102	1000	3413	CBF15072	750	2560	240	59 1/16	37
CBF15127	1250	4266	CBF15107	1000	3413	CBF15077	750	2560	277	59 1/16	37
CBF15125	1250	4266	CBF15105	1000	3413	CBF15075	750	2560	480	59 1/16	37
CBF18151	1500	5119	CBF18121	1200	4095	CBF18091	900	3071	120	70 7/8	44
CBF18158	1500	5119	CBF18128	1200	4095	CBF18098	900	3071	208	70 7/8	44
CBF18152	1500	5119	CBF18122	1200	4095	CBF18092	900	3071	240	70 7/8	44
CBF18157	1500	5119	CBF18127	1200	4095	CBF18097	900	3071	277	70 7/8	44
CBF18155	1500	5119	CBF18125	1200	4095	CBF18095	900	3071	480	70 7/8	44
---	1750	5972	CBF21141	1400	4778	CBF21101	1050	3583	120	82 11/16	51
CBF21178	1750	5972	CBF21148	1400	4778	CBF21108	1050	3583	208	82 11/16	51
CBF21172	1750	5972	CBF21142	1400	4778	CBF21102	1050	3583	240	82 11/16	51
CBF21177	1750	5972	CBF21147	1400	4778	CBF21107	1050	3583	277	82 11/16	51
CBF21175	1750	5972	CBF21145	1400	4778	CBF21105	1050	3583	480	82 11/16	51
---	2000	6825	---	1600	5460	CBF24121	1200	4095	120	94 1/2	59
CBF24208	2000	6825	CBF24168	1600	5460	CBF24128	1200	4095	208	94 1/2	59
CBF24202	2000	6825	CBF24162	1600	5460	CBF24122	1200	4095	240	94 1/2	59
CBF24207	2000	6825	CBF24167	1600	5460	CBF24127	1200	4095	277	94 1/2	59
CBF24205	2000	6825	CBF24165	1600	5460	CBF24125	1200	4095	480	94 1/2	59
---	2250	7679	---	1800	6143	---	1350	4607	120	106 5/16	61
CBF27228	2250	7679	CBF27188	1800	6143	CBF27138	1350	4607	208	106 5/16	61
CBF27222	2250	7679	CBF27182	1800	6143	CBF27132	1350	4607	240	106 5/16	61
CBF27227	2250	7679	CBF27187	1800	6143	CBF27137	1350	4607	277	106 5/16	61
CBF27225	2250	7679	CBF27185	1800	6143	CBF27135	1350	4607	480	106 5/16	61
---	2500	8532	---	2000	6825	---	1500	5119	120	106 5/16	61
CBF27258	2500	8532	CBF27208	2000	6825	CBF27158	1500	5119	208	106 5/16	61
CBF27252	2500	8532	CBF27202	2000	6825	CBF27152	1500	5119	240	106 5/16	61
CBF27257	2500	8532	CBF27207	2000	6825	CBF27157	1500	5119	277	106 5/16	61
CBF27255	2500	8532	CBF27205	2000	6825	CBF27155	1500	5119	480	106 5/16	61

Add W for white or SW for soft white (consult the optional colors chart or contact your Stelpro representative for all other colors).  
 --- not available

# ACCESSORIES

PRODUCT	DESCRIPTION
<b>CBFT12*</b>	built-in tamper-proof single pole thermostat
<b>CBFT22*</b>	built-in tamper-proof double pole thermostat
<b>CBFRE153*</b>	built-in electronic low voltage relay [15 A @ 120 V-347 V]
<b>CBFRE156*</b>	built-in electronic low voltage relay [6 A @ 600 V]
<b>CBFRE153T*</b>	built-in electronic low voltage relay c/w transformer 24 V [15 A @ 208 V-347 V]
<b>CBFRM240T*</b>	built-in electromechanical relay c/w transformer 24 V [6000 W @ 240 V and 5200 W @ 208 V]
<b>CBFRM347T*</b>	built-in electromechanical relay c/w transformer 24 V [6000 W @ 347 V]
<b>CBFRM347C*</b>	built-in electromechanical relay w/o transformer 24 V [6000 W @ 120 V-347 V]
<b>CBFR841D1036*</b>	built-in electromechanical relay w/o transformer 24 V [6000 W @ 600 V]
<b>CBFR841C1151*</b>	built-in electromechanical low voltage relay c/w transformer 24 V [6000 W @ 600 V]
<b>CBFDIS250*</b>	disconnect switch [120 V-250 V] [17 A @ 120 V-12 A @ 250 V]
<b>CBFDIS600*</b>	disconnect switch [277 V-600 V]
<b>PK2*</b>	pedestal kit (kit of two)
<b>CBFJS*</b>	joiner strip (2 in.)
<b>CBFIC90*</b>	inside corner (back measures 5 7/8 in. long on each side)
<b>CBFOC90*</b>	outside corner (back measures 5 7/8 in. long on each side)
<b>CBFTB*</b>	four-piece trim frame
<b>CBFCB**</b>	clean back (fully finished, no mounting holes or knockouts)

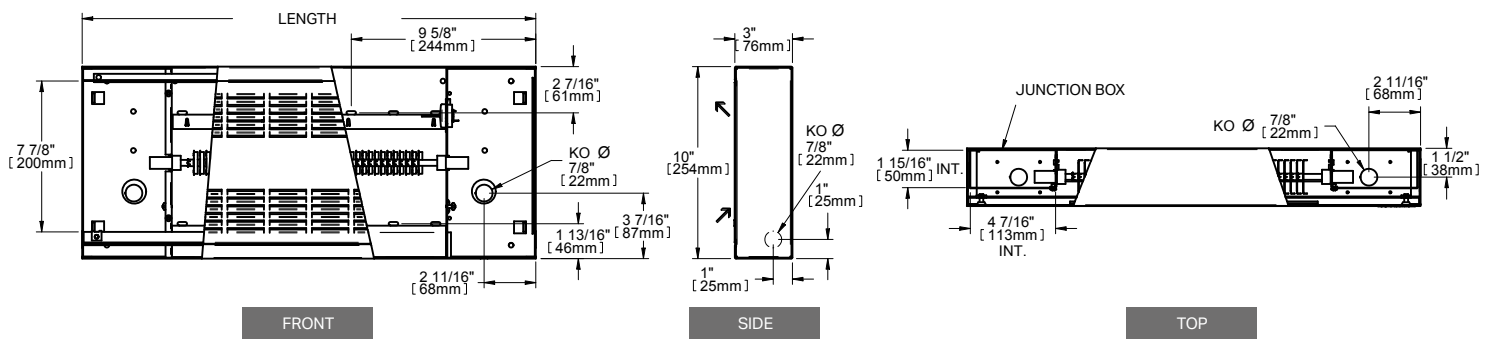
Electronic relays can receive a PWM (pulsed width modulation) or digital (on/off) signal.

\* Add W for white or SW for soft white.

\* Factory installed

\* Factory installation is strongly recommended.

## TECHNICAL DRAWINGS



## INSTALLATION

**SURFACE MOUNTED**

**RECESSED OR SEMI-RECESSED WITH FOUR-PIECE TRIM FRAME (OPTIONAL)**

