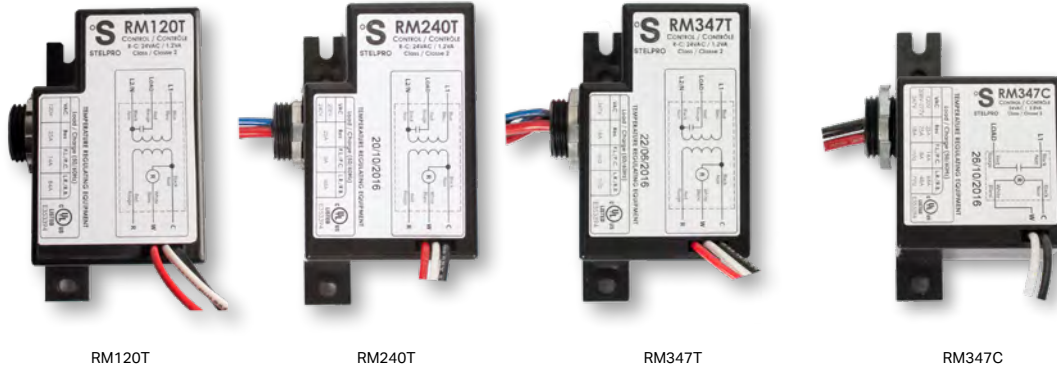


RM

ELECTROMECHANICAL RELAY – LOW VOLTAGE



CONTROL

- all or nothing (on/off)
- with a 24 V transformer (with exception of the RM347C w/o transformer)
- compatible with the T822K1034, T87K1015 and ET180 thermostats (the RM347C w/o a transformer is also compatible with the STE241 and D010 thermostats)
- installing more than four relays without a transformer to the same thermostat is not recommended (two relays without a transformer if connected to a STE241 thermostat)
- no additional relay can be connected to the same control circuit as a relay with a transformer

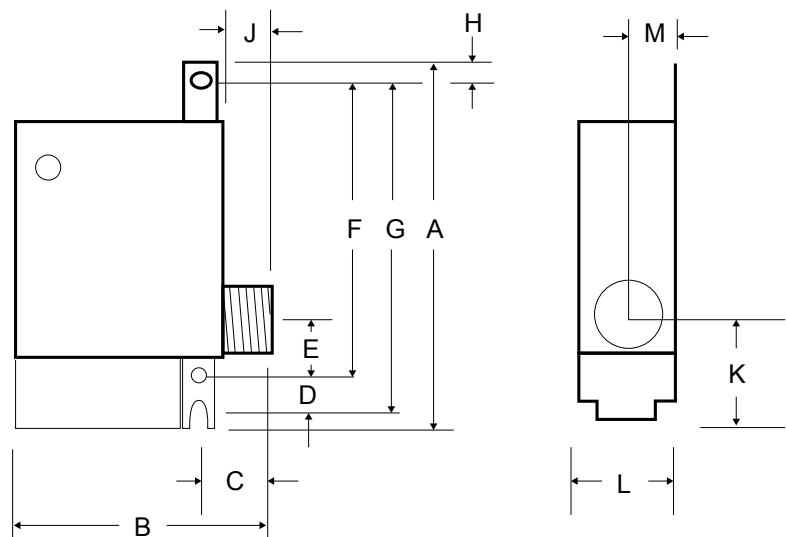
INSTALLATION

- these relays can be installed in an external junction box
- these relays may or may not be installed in the junction box of the heating unit (see the accessories table for the heating unit)

WARRANTY

- one year

TECHNICAL DRAWINGS



PRODUCT	DESCRIPTION	PRICE
RM120T	ELECTROMECHANICAL RELAY WITH TRANSFORMER 24 V [3000 W @ 120 V]	69.00
RM240T	ELECTROMECHANICAL RELAY C/W TRANSFORMER 24 V [6000 W @ 240 V AND 5200 W @ 208 V]	66.00
RM347T	ELECTROMECHANICAL RELAY C/W TRANSFORMER 24 V [6000 W @ 347 V]	72.00
RM347C	ELECTROMECHANICAL RELAY W/O TRANSFORMER 24 V [6000 W @ 120 V-347 V]	53.00

DIMENSIONS

PRODUCT	KEY	A	B	C	D	E	F	G	H	J	K	L	M
RM...T	MM	100	67	18	11	19	74	84	10	10	35	41	16
	IN.	3 15/16	2 21/32	23/32	27/64	3/4	2 57/64	3 21/64	13/32	25/64	1 3/8	1 5/8	5/8
RM...C	MM	76	51	18	11	19	74	84	10	10	35	41	16
	IN.	3 3/4	2 1/2	23/32	27/64	3/4	2 57/64	3 21/64	13/32	25/64	1 3/8	1 5/8	5/8



Stelpro reserves the right to modify descriptions, manufacturing specifications or prices without prior notice. No returns accepted on optional-colour products. For all the latest models and prices, please refer to our website at www.stelpro.com.

