

WF

WALL FAN HEATER



VERSATILITY IS THE NAME OF THE GAME!

The WF is a high-capacity fan heater that's ideal for building lobbies, long corridors, stairwells, workshops, factories and warehouses. Its electrical element is made of high-quality nichrome that provides an immediate surge of hot air. The various modes of wall installation make the WF heater one of the most versatile fan heaters on the market: it can be surface mounted or recessed, with a variety of models and heating capacities to choose from.

GRILLE WITH ROUNDED SIDES
DURABLE AND STYLISH

WIDE RANGE OF MODELS AND HEATING CAPACITIES
INCLUDING A SINGLE 4800 W MODEL

NICHROME ELEMENT
ASSURING INSTANT HEAT

OPTIONAL DISCONNECT SWITCH AVAILABLE



ROUNDED SIDES

IDEAL FOR:

lobby, corridor, factory, warehouse, stairwell

COLOURS

- **standard:** white, soft white
- **Orora (optional):** refer to www.stelpro.com/en-CA/Orora

FINISH

- epoxy-polyester powdercoat

MANUFACTURING

- 20-gauge steel cabinet and 18-gauge steel grille
- top air intake with bottom air discharge
- quiet helicoidal fan: single unit 1 x 160 CFM – double unit 2 x 160 CFM – triple unit 3 x 160 CFM
- thermal protection with automatic reset
- totally enclosed, permanently lubricated motor

ELEMENT

- high-quality nichrome element producing instant heat

CONTROL

- connection of multiple units to the same thermostat is possible with a relay kit without transformer (optional) and an external transformer (not provided)
- built-in thermostat (optional), 3 control knobs included (white, soft white and black) for standard installation, without knob for tamper-proof installation

INSTALLATION

- wall mounted
- recessed or surface mounted with surface adapter (optional)

WARRANTY

- three years

°STELPRO

Stelpro reserves the right to modify descriptions, manufacturing specifications or prices without prior notice. No returns accepted on optional-colour products. For all the latest models and prices, please refer to our website at www.stelpro.com.



TECHNICAL SPECIFICATIONS

WITHOUT CONTROL		BUILT-IN THERMOSTAT		240 V CONTROL	24 V CONTROL		POWER	VOLTAGE	WEIGHT	MODEL	
CODE	PRICE	CODE	PRICE	CODE	CODE	PRICE	WATTS	VOLTS	KG	LB	UNIT
WF1501	565.00	WF1501T	617.00	---	WF1501C24	727.00	1500	120	9	20	SINGLE
WF1508	565.00	WF1508T	617.00	WF1508C	WF1508C24	727.00	1500	208	9	20	SINGLE
WF1502	565.00	WF1502T	617.00	WF1502C	WF1502C24	727.00	1500/1125	240/208	9	20	SINGLE
WF1503	824.00	WF1503T	876.00	WF1503C	WF1503C24	985.00	1500	347	9	20	SINGLE
---	---	WF1506T	919.00	WF1506C	WF1506C24	1031.00	1500	600	10	22	SINGLE
WF2008	565.00	WF2008T	617.00	WF2008C	WF2008C24	727.00	2000	208	9	20	SINGLE
WF2002	565.00	WF2002T	617.00	WF2002C	WF2002C24	727.00	2000/1500	240/208	9	20	SINGLE
WF2003	824.00	WF2003T	876.00	WF2003C	WF2003C24	985.00	2000	347	9	20	SINGLE
---	---	WF2006T	919.00	WF2006C	WF2006C24	1031.00	2000	600	10	22	SINGLE
WF3008	580.00	WF3008T	630.00	WF3008C	WF3008C24	743.00	3000	208	9	20	SINGLE
WF3002	580.00	WF3002T	630.00	WF3002C	WF3002C24	743.00	3000/2250	240/208	9	20	SINGLE
WF3003	838.00	WF3003T	892.00	WF3003C	WF3003C24	1002.00	3000	347	9	20	SINGLE
---	---	WF3006T	935.00	WF3006C	WF3006C24	1046.00	3000	600	10	22	SINGLE
WF4008	625.00	WF4008T	676.00	WF4008C	WF4008C24	787.00	4000	208	9	20	SINGLE
WF4002	625.00	WF4002T	676.00	WF4002C	WF4002C24	787.00	4000/3000	240/208	9	20	SINGLE
WF4003	882.00	WF4003T	935.00	WF4003C	WF4003C24	1046.00	4000	347	9	20	SINGLE
---	---	WF4006T	980.00	WF4006C	WF4006C24	1091.00	4000	600	10	22	SINGLE
WF4808	654.00	WF4808T	710.00	WF4808C	WF4808C24	826.00	4800	208	9	20	SINGLE
WF4802	654.00	WF4802T	710.00	WF4802C	WF4802C24	826.00	4800/3600	240/208	9	20	SINGLE
WF4803	927.00	WF4803T	981.00	WF4803C	WF4803C24	1098.00	4800	347	9	20	SINGLE
---	---	WF4806T	1028.00	WF4806C	WF4806C24	1145.00	4800	600	10	22	SINGLE
---	---	WF6008CT	1609.00	WF6008C	WF6008C24	1557.00	6000	208	18	40	DOUBLE
---	---	WF6002T	1445.00	WF6002C	WF6002C24	1557.00	6000/4500	240/208	18	40	DOUBLE
---	---	WF6003T	1889.00	WF6003C	WF6003C24	2001.00	6000	347	18	40	DOUBLE
---	---	WF6006T	1889.00	WF6006C	WF6006C24	2001.00	6000	600	20	44	DOUBLE
---	---	WF60083CT*	1609.00	WF60083C*	WF60083C24*	1557.00	6000	208	36	80	TRIPLE
---	---	WF60063CT*	2051.00	WF60063C*	WF60063C24*	2001.00	6000	600	36	80	TRIPLE
---	---	WF8008CT	1695.00	WF8008C	WF8008C24	1644.00	8000	208	18	40	DOUBLE
---	---	WF8002CT	1695.00	WF8002C	WF8002C24	1644.00	8000/6000	240/208	18	40	DOUBLE
---	---	WF8003CT	2303.00	WF8003C	WF8003C24	2254.00	8000	347	18	40	DOUBLE
---	---	WF8006CT	2303.00	WF8006C	WF8006C24	2254.00	8000	600	20	44	DOUBLE
---	---	WF90083CT*	2314.00	WF90083C*	WF90083C24*	2260.00	9000	208	36	80	TRIPLE
---	---	WF90063CT*	3024.00	WF90063C*	WF90063C24*	2971.00	9000	600	36	80	TRIPLE
---	---	WF12008CT	2556.00	WF12008C	WF12008C24	2506.00	12 000	208	36	80	TRIPLE
---	---	WF12002CT	2556.00	WF12002C	WF12002C24	2506.00	12 000/9000	240/208	36	80	TRIPLE
---	---	WF12003CT	3275.00	WF12003C	WF12003C24	3224.00	12 000	347	36	80	TRIPLE
---	---	WF12006CT	3275.00	WF12006C	WF12006C24	3224.00	12 000	600	36	80	TRIPLE
---	---	WF120083CT*	2556.00	WF120083C*	WF120083C24*	2506.00	12 000	208	36	80	TRIPLE
---	---	WF120063CT*	3275.00	WF120063C*	WF120063C24*	3224.00	12 000	600	36	80	TRIPLE

Add W for white or SW for soft white (consult the optional colours chart or contact your Stelpro representative for all other colours).

* Three-phase unit

Models also available in 277 V and 480 V.

--- not available



THROW DISTANCE AND HEAT RISE

UNITS	THROW DISTANCE		HEAT RISE	
	M	FT	°C	°F
1.5	4.1	13'7"	30	53
2	4.1	13'7"	42	75
3	4.1	13'7"	61	110
4	4.1	13'7"	74	133
4.8	4.1	13'7"	93	167
6	4.1	13'7"	61	110
8	4.1	13'7"	74	133
9	4.1	13'7"	61	110
12	4.1	13'7"	74	133

ACCESSORIES

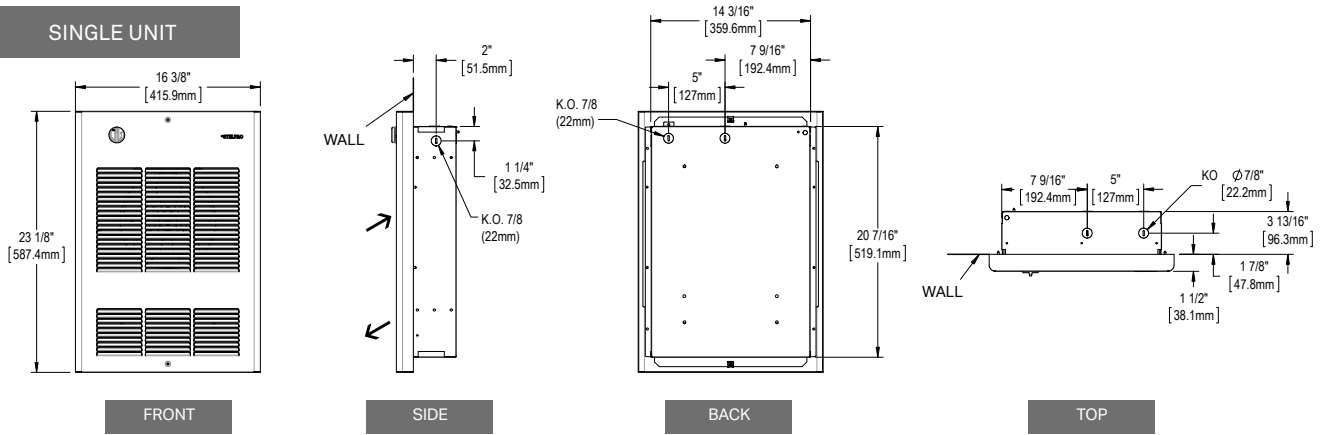
PRODUCT	DESCRIPTION	PRICE
WFT1	built-in single pole thermostat [120 V-600 V] (standard or tamper-proof)	52.50
WFT2	built-in double pole thermostat [120 V-600 V] (standard or tamper-proof)	66.75
WFSA1*	surface adapter (single unit)	69.75
WFSA2*	surface adapter (double unit)	143.00
WFSA3*	surface adapter (triple unit)	214.00
WFDIS-30*	disconnect switch kit 600 V/30 A, 2 poles	139.00
WFDIS-40*	disconnect switch kit 600 V/40 A, 2 poles/3 poles	164.00
WFDIS-60*	disconnect switch kit 600 V/60 A, 2 poles/3 poles	198.00
WFC24RX*	relay kit without transformer 24 V	143.00

* Add W for white or SW for soft white.

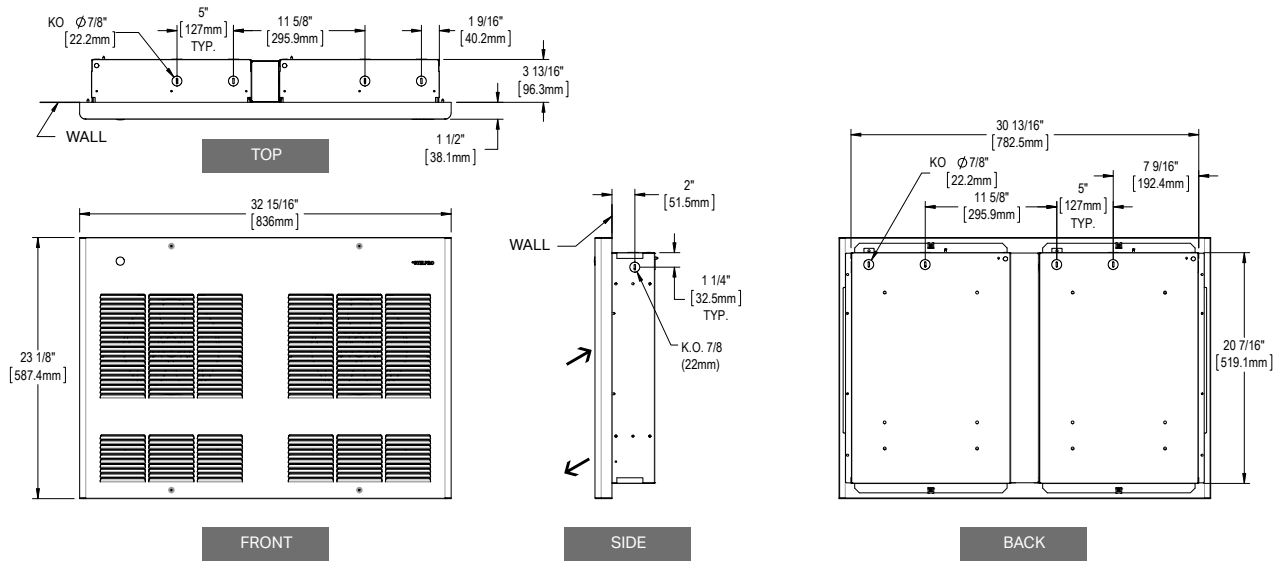
* Factory installation

TECHNICAL DRAWINGS

SINGLE UNIT



DOUBLE UNIT



TRIPLE UNIT

