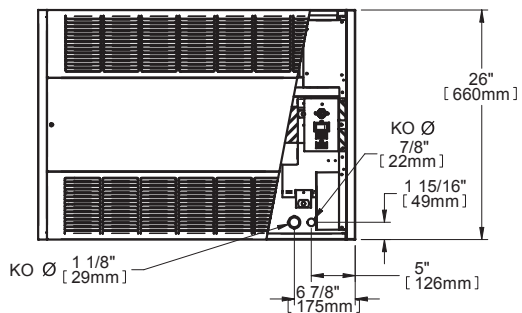
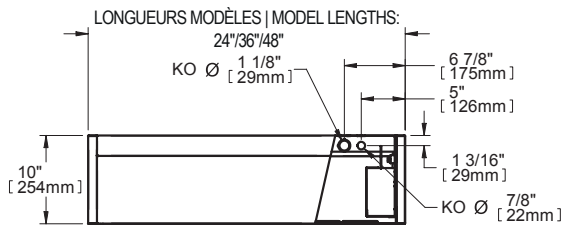


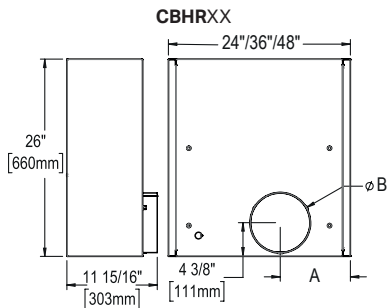
DESSINS TECHNIQUES | TECHNICAL DRAWINGS



DEVANT | FRONT

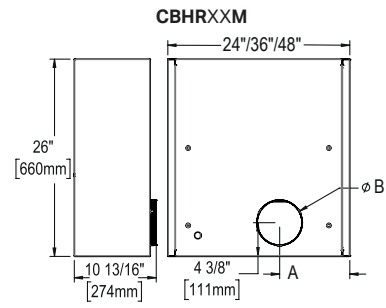


DESSUS | TOP



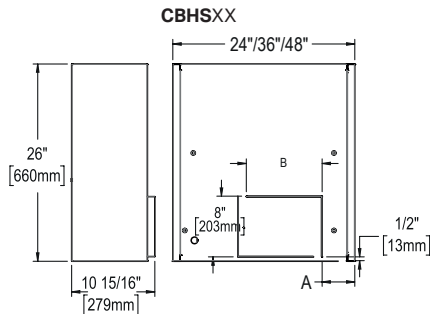
CÔTÉ | SIDE

DOS | BACK



CÔTÉ | SIDE

DOS | BACK



CÔTÉ | SIDE

DOS | BACK

OPTION	A	B
CODE	PO IN.	PO IN.
CBHR24	9 1/4	4 - 8
CBHR36	9 3/4	4 - 8
CBHR48	9 3/4	4 - 8
CBHR24M	9 1/4	4 - 6
CBHR36M	9 3/4	4 - 6
CBHR48M	9 3/4	4 - 6
CBHS24	4 5/16	10
CBHS36	4 7/8	21
CBHS48	4 7/8	31 3/4