

ALUX2 | ALUX™

MINI ARCHITECTURAL ALUMINUM BASEBOARD



STYLE AND DURABILITY AT YOUR FEET

Here is a mini architectural baseboard you won't soon forget. The ALUX2 from the ALUX series, designed to be installed below large windows, patio doors or bay windows. In addition to not cluttering a room, it controls cold air infiltration and condensation since it acts as a hot air curtain. Its unique style and aluminum extrusion not only make it durable but also ensure it complements any room.

EXTRUDED ALUMINUM FRONT AND TOP COVER

WITH A UNIQUE, LUXURY DESIGN

EXTREMELY SOLID, IMPACT AND RUST RESISTANT

NO CONDENSATION BUILD-UP

BLANK SECTIONS AVAILABLE FOR A CONTINUOUS LOOK

COLOURS

- **standard:** white, soft white
- **luxury finish:** anodized aluminum (see price list)
- **Orora (optional):** refer to www.stelpro.com/en-CA/Orora

FINISH

- epoxy-polyester powdercoat or anodized aluminum finish

MANUFACTURING

- 3 in. x 3 in. compact profile
- solid 20-gauge steel cabinet
- extremely resistant extruded aluminum front cover with a thickness equivalent to 10 gauge
- thermal protection with automatic reset
- full-length wireway
- pencil-proof openings of less than 1/4 in. (6.7 mm) prevent foreign objects from entering the unit

ELEMENT

- single tubular, stainless steel sheathed element with boxed aluminum fins for improved heat dissipation; the element is securely fastened at its centre, floating in nylon sleeves at each end, eliminating expansion and contraction noises

CONTROL

- wall thermostat (not included) – the use of an electronic thermostat is strongly recommended
- built-in thermostat accessible without removing front grille, installed in the left junction box only (optional)
- low voltage relay kit installed in the left junction box only (optional)

INSTALLATION

- surface mounted
- wall or floor mounted with or without pedestal kit (optional)
- wiring compartment at both ends of unit
- for a continuous look, custom blank sections with a simple attachment system are available (optional)

WARRANTY

- three years

IDEAL FOR:

below large window, patio door or bay window, solarium



Stelpro reserves the right to modify descriptions, manufacturing specifications or prices without prior notice. No returns accepted on optional-colour products. For all the latest models and prices, please refer to our website at www.stelpro.com.



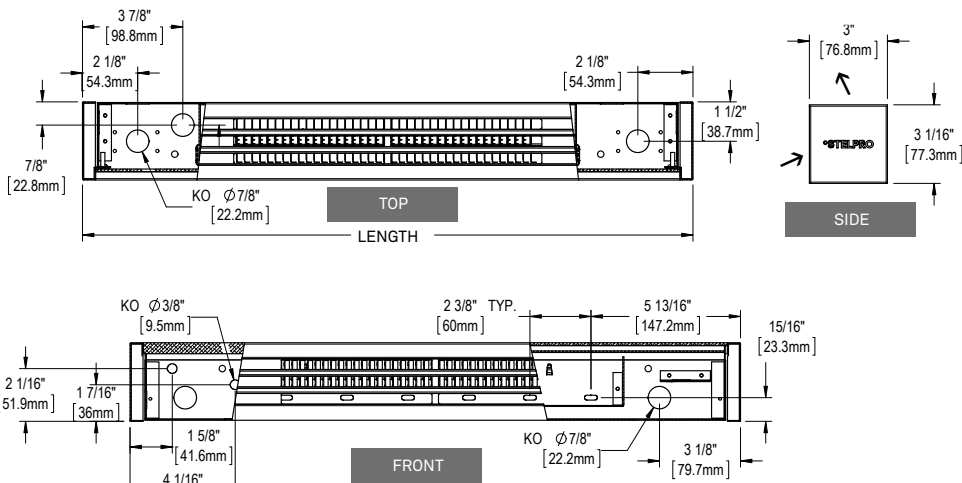
FC_ALUX2_EN_110820

TECHNICAL SPECIFICATIONS

DENSITY OF 150 W PER LINEAR FOOT		DENSITY OF 100 W PER LINEAR FOOT		VOLTAGE	LENGTH		WEIGHT		PRICE	
CODE	WATTS	CODE	WATTS	VOLTS	MM	IN.	KG	LB	W OR SW	CA
ALUX206031	300	---	---	120	600	23 5/8	2.4	5.2	299.00	354.00
ALUX206038	300	---	---	208	600	23 5/8	2.4	5.2	299.00	354.00
ALUX206032	300/225	---	---	240/208	600	23 5/8	2.4	5.2	299.00	354.00
---	300	---	---	347	600	23 5/8	2.4	5.2	---	---
---	300	---	---	600	600	23 5/8	2.4	5.2	---	---
ALUX209041	450	ALUX209031	300	120	900	35 7/16	3.5	7.8	344.00	399.00
ALUX209048	450	ALUX209038	300	208	900	35 7/16	3.5	7.8	344.00	399.00
ALUX209042	450/340	ALUX209032	300/225	240/208	900	35 7/16	3.5	7.8	344.00	399.00
ALUX209043	450	---	300	347	900	35 7/16	3.5	7.8	344.00	399.00
---	450	---	300	600	900	35 7/16	3.5	7.8	---	---
ALUX212061	600	ALUX212041	400	120	1200	47 1/4	4.7	10.4	387.00	442.00
ALUX212068	600	ALUX212048	400	208	1200	47 1/4	4.7	10.4	387.00	442.00
ALUX212062	600/450	ALUX212042	400/300	240/208	1200	47 1/4	4.7	10.4	387.00	442.00
ALUX212063	600	ALUX212043	400	347	1200	47 1/4	4.7	10.4	387.00	442.00
---	600	---	400	600	1200	47 1/4	4.7	10.4	---	---
ALUX215071	750	ALUX215051	500	120	1500	59 1/16	5.9	13	433.00	486.00
ALUX215078	750	ALUX215058	500	208	1500	59 1/16	5.9	13	433.00	486.00
ALUX215072	750/560	ALUX215052	500/375	240/208	1500	59 1/16	5.9	13	433.00	486.00
ALUX215073	750	ALUX215053	500	347	1500	59 1/16	5.9	13	433.00	486.00
ALUX215076	750	ALUX215056	500	600	1500	59 1/16	5.9	13	433.00	486.00
ALUX218091	900	ALUX218061	600	120	1800	70 7/8	7.1	15.5	477.00	531.00
ALUX218098	900	ALUX218068	600	208	1800	70 7/8	7.1	15.5	477.00	531.00
ALUX218092	900/675	ALUX218062	600/450	240/208	1800	70 7/8	7.1	15.5	477.00	531.00
ALUX218093	900	ALUX218063	600	347	1800	70 7/8	7.1	15.5	477.00	531.00
ALUX218096	900	ALUX218066	600	600	1800	70 7/8	7.1	15.5	477.00	531.00
ALUX221101	1050	ALUX221071	700	120	2100	82 11/16	8.2	18.1	519.00	576.00
ALUX221108	1050	ALUX221078	700	208	2100	82 11/16	8.2	18.1	519.00	576.00
ALUX221102	1050/790	ALUX221072	700/525	240/208	2100	82 11/16	8.2	18.1	519.00	576.00
ALUX221103	1050	ALUX221073	700	347	2100	82 11/16	8.2	18.1	519.00	576.00
ALUX221106	1050	ALUX221076	700	600	2100	82 11/16	8.2	18.1	519.00	576.00
ALUX224121	1200	ALUX224081	800	120	2400	94 1/2	9.4	20.7	564.00	620.00
ALUX224128	1200	ALUX224088	800	208	2400	94 1/2	9.4	20.7	564.00	620.00
ALUX224122	1200/900	ALUX224082	800/600	240/208	2400	94 1/2	9.4	20.7	564.00	620.00
ALUX224123	1200	ALUX224083	800	347	2400	94 1/2	9.4	20.7	564.00	620.00
ALUX224126	1200	ALUX224086	800	600	2400	94 1/2	9.4	20.7	564.00	620.00
ALUX227138	1350	ALUX227098	900	208	2700	106 5/16	10.6	23.3	608.00	664.00
ALUX227132	1350/1010	ALUX227092	900/675	240/208	2700	106 5/16	10.6	23.3	608.00	664.00
ALUX227133	1350	ALUX227093	900	347	2700	106 5/16	10.6	23.3	608.00	664.00
ALUX227136	1350	ALUX227096	900	600	2700	106 5/16	10.6	23.3	608.00	664.00

Add W for white, SW for soft white or CA for clear anodized (finish) (consult the optional colours chart or contact your Stelpro representative for all other colours).
 Models also available in 277 V and 480 V.
 --- not available

TECHNICAL DRAWINGS



Stelpro reserves the right to modify descriptions, manufacturing specifications or prices without prior notice. No returns accepted on optional-colour products.
 For all the latest models and prices, please refer to our website at www.stelpro.com.



ACCESSORIES

PRODUCT	DESCRIPTION	PRICE
ALUX2T12*	built-in tamper-proof single pole thermostat (left side installation only)	117.00
ALUX2RE153*	built-in electronic low voltage relay [15 A @ 120 V-347 V]	76.00
ALUX2RE156*	built-in electronic low voltage relay [6 A @ 600 V]	119.00
ALUX2RE153T*	built-in electronic low voltage relay c/w transformer 24 V [15 A @ 208 V-347 V]	93.50
PK5*	pedestal kit – single (kit of two)	128.00
PK5CAP	anodized aluminum (paint) pedestal kit – single (kit of two)	145.00
PK5D*	pedestal kit – double (kit of two)	208.00
PK5DCAP	anodized aluminum (paint) pedestal kit – double (kit of two)	232.00
ALUX2JS*	joiner strip (2 in. – 51 mm)	86.50
ALUX2JSCAP	anodized aluminum (paint) joiner strip (2 in. – 51 mm)	98.00
ALUX2IC90*	inside corner (back measures 6 7/16 in. – 164 mm long on each side)	302.00
ALUX2IC90CA	anodized aluminum (finish) inside corner (back measures 6 7/16 in. – 164 mm long on each side)	342.00
ALUX2OC90*	outside corner (back measures 6 7/16 in. – 164 mm long on each side)	302.00
ALUX2OC90CA	anodized aluminum (finish) outside corner (back measures 6 7/16 in. – 164 mm long on each side)	342.00
ALUX2CB**	clean back (fully finished, no mounting holes or knockouts)	128.00
ALUX2SA*	full-width flush-fit stand – height of 2 to 12 in. (51 to 305 mm)	---
ALUX2SR*	full-width recessed stand (39/64 in. – 16 mm) – height of 2 to 12 in. (51 to 305 mm)	---

Electronic relays can receive a PWM (pulsed width modulation) or digital (on/off) signal.

* Add W for white or SW for soft white.

* Factory installed



Stelpro reserves the right to modify descriptions, manufacturing specifications or prices without prior notice. No returns accepted on optional-colour products. For all the latest models and prices, please refer to our website at www.stelpro.com.