

# ALUX4 | ALUX™

## ARCHITECTURAL ALUMINUM BASEBOARD



### A HEATER WITH A LOT TO OFFER

The ALUX4 is an impressive blend of contemporary design and superior performance. Its durable steel cabinet is decorated with an elegant aluminum grille and offers a remarkable heat density of 500 W per linear foot. Its unique airflow configuration complements its appearance making it the leader in its class and a popular choice for professionals in the industry.

#### EXTRUDED ALUMINUM FRONT AND TOP COVER

WITH A UNIQUE, LUXURY DESIGN

#### EXTREMELY SOLID, IMPACT AND RUST RESISTANT

#### OFFERED IN THREE WATT DENSITIES

#### PERSONALIZED INSTALLATION BLANK SECTIONS, PEDESTALS AND CLEAN BACKS AVAILABLE

#### IDEAL FOR:

shopping mall, hospital, office, hotel,  
lobby, hallway

#### COLOURS

- **standard:** white, soft white
- **luxury finish:** anodized aluminum (see price list)
- **Orora (optional):** refer to [www.stelpro.com/en-CA/Orora](http://www.stelpro.com/en-CA/Orora)

#### FINISH

- epoxy-polyester powdercoat or anodized aluminum finish

#### MANUFACTURING

- dimensions: 4 3/8 in. x 6 3/4 in.
- solid 20-gauge steel cabinet and extremely resistant extruded aluminum front cover with a thickness equivalent to 10 gauge
- front air intake and top air discharge (bottom air intake available on demand [BT])
- thermal protection with automatic reset
- full-length wireway
- pencil-proof openings of less than 1/4 in. (6.4 mm) prevent foreign objects from entering the unit

#### ELEMENTS

- double tubular elements, stainless steel sheathed with boxed aluminum fins for improved heat dissipation; the elements are securely fastened at their centres, floating in nylon sleeves at each end, eliminating expansion and contraction noises

#### CONTROL

- wall thermostat (not included) – the use of an electronic thermostat is strongly recommended
- built-in tamper-proof thermostat accessible without removing front grille, installed in the left or right junction box (optional)
- low voltage relay kit installed in the left or right junction box (optional)

#### INSTALLATION

- surface mounted
- wall or floor mounted with or without pedestal kit (optional)
- at least 3 in. from the floor (models with BT option only)
- wiring compartments at both ends of unit
- for a continuous look, custom blank sections with a simple attachment system are available (optional)

#### WARRANTY

- three years



Stelpro reserves the right to modify descriptions, manufacturing specifications or prices without prior notice. No returns accepted on optional-colour products. For all the latest models and prices, please refer to our website at [www.stelpro.com](http://www.stelpro.com).

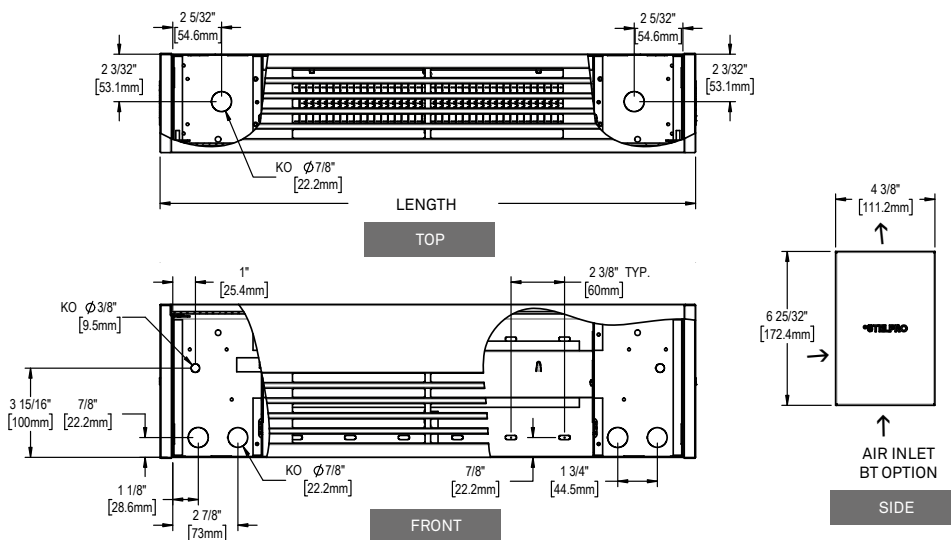


# TECHNICAL SPECIFICATIONS

DENSITY OF 500 W PER LINEAR FOOT		DENSITY OF 400 W PER LINEAR FOOT		DENSITY OF 300 W PER LINEAR FOOT		VOLTAGE	LENGTH		WEIGHT		PRICE	
CODE	WATTS	CODE	WATTS	CODE	WATTS	VOLTS	MM	IN.	KG	LB	W OR SW	CA
ALUX406108	1000	ALUX406088	800	ALUX406068	600	208	600	23 5/8	4.1	9	478.00	530.00
ALUX406102	1000	ALUX406082	800	ALUX406062	600	240	600	23 5/8	4.1	9	478.00	530.00
ALUX406103	1000	---	800	---	600	347	600	23 5/8	4.1	9	478.00	530.00
---	1000	---	800	---	600	600	600	23 5/8	4.1	9	---	---
ALUX409158	1500	ALUX409128	1200	ALUX409098	900	208	900	35 7/16	5.9	13	546.00	598.00
ALUX409152	1500	ALUX409122	1200	ALUX409092	900	240	900	35 7/16	5.9	13	546.00	598.00
ALUX409153	1500	ALUX409123	1200	ALUX409093	900	347	900	35 7/16	5.9	13	546.00	598.00
ALUX409156	1500	---	1200	---	900	600	900	35 7/16	5.9	13	546.00	598.00
ALUX412208	2000	ALUX412168	1600	ALUX412128	1200	208	1200	47 1/4	7.7	17	617.00	668.00
ALUX412202	2000	ALUX412162	1600	ALUX412122	1200	240	1200	47 1/4	7.7	17	617.00	668.00
ALUX412203	2000	ALUX412163	1600	ALUX412123	1200	347	1200	47 1/4	7.7	17	617.00	668.00
ALUX412206	2000	ALUX412166	1600	---	1200	600	1200	47 1/4	7.7	17	617.00	668.00
ALUX415258	2500	ALUX415208	2000	ALUX415158	1500	208	1500	59 1/16	9.1	20	686.00	738.00
ALUX415252	2500	ALUX415202	2000	ALUX415152	1500	240	1500	59 1/16	9.1	20	686.00	738.00
ALUX415253	2500	ALUX415203	2000	ALUX415153	1500	347	1500	59 1/16	9.1	20	686.00	738.00
ALUX415256	2500	ALUX415206	2000	ALUX415156	1500	600	1500	59 1/16	9.1	20	686.00	738.00
ALUX418308	3000	ALUX418248	2400	ALUX418188	1800	208	1800	70 7/8	11.3	25	754.00	806.00
ALUX418302	3000	ALUX418242	2400	ALUX418182	1800	240	1800	70 7/8	11.3	25	754.00	806.00
ALUX418303	3000	ALUX418243	2400	ALUX418183	1800	347	1800	70 7/8	11.3	25	754.00	806.00
ALUX418306	3000	ALUX418246	2400	ALUX418186	1800	600	1800	70 7/8	11.3	25	754.00	806.00
ALUX421358	3500	ALUX421288	2800	ALUX421218	2100	208	2100	82 11/16	13.2	29	825.00	877.00
ALUX421352	3500	ALUX421282	2800	ALUX421212	2100	240	2100	82 11/16	13.2	29	825.00	877.00
ALUX421353	3500	ALUX421283	2800	ALUX421213	2100	347	2100	82 11/16	13.2	29	825.00	877.00
ALUX421356	3500	ALUX421286	2800	ALUX421216	2100	600	2100	82 11/16	13.2	29	825.00	877.00
ALUX424408	4000	ALUX424328	3200	ALUX424248	2400	208	2400	94 1/2	15.4	34	895.00	946.00
ALUX424402	4000	ALUX424322	3200	ALUX424242	2400	240	2400	94 1/2	15.4	34	895.00	946.00
ALUX424403	4000	ALUX424323	3200	ALUX424243	2400	347	2400	94 1/2	15.4	34	895.00	946.00
ALUX424406	4000	ALUX424326	3200	ALUX424246	2400	600	2400	94 1/2	15.4	34	895.00	946.00

Add W for white, SW for soft white or CA for clear anodized (finish) (consult the optional colours chart or contact your Stelpro representative for all other colours).  
 Models also available in 277 V and 480 V.  
 --- not available

## TECHNICAL DRAWINGS





## ACCESSORIES

PRODUCT	DESCRIPTION	PRICE
ALUX4T12*	built-in tamper-proof single pole thermostat	121.00
ALUX4T22*	built-in tamper-proof double pole thermostat	202.00
ALUX4RE153*	built-in electronic low voltage relay [15 A @ 120 V-347 V]	82.50
ALUX4RE156*	built-in electronic low voltage relay [6 A @ 600 V]	141.00
ALUX4RE153T*	built-in electronic low voltage relay c/w transformer 24 V [15 A @ 208 V-347 V]	100.00
ALUX4RM240T*	built-in electromechanical relay c/w transformer 24 V [5000 W @ 208 V/6000 W @ 240 V]	103.00
ALUX4RM347T*	built-in electromechanical relay c/w transformer 24 V [6000 W @ 347 V]	114.00
ALUX4RM347C*	built-in electromechanical relay w/o transformer 24 V [6000 W @ 120 V-347 V]	86.50
ALUX4R841C11151*	built-in electromechanical low voltage relay c/w transformer 24 V [6000 W @ 600 V]	180.00
ALUX4R841D1036*	built-in electromechanical low voltage relay w/o transformer 24 V [6000 W @ 600 V]	158.00
PK6*	pedestal kit – single (kit of two)	128.00
PK6CAP	anodized aluminum (paint) pedestal kit – single (kit of two)	145.00
PK6D*	pedestal kit – double (kit of two)	208.00
PK6DCAP	anodized aluminum (paint) pedestal kit – double (kit of two)	232.00
ALUX4JS*	joiner strip (2 in. – 51 mm)	139.00
ALUX4JSCAP	anodized aluminum (paint) joiner strip (2 in. – 51 mm)	148.00
ALUX4IC90*	inside corner (back measures 7 9/16 in. – 192 mm long on each side)	480.00
ALUX4IC90CA	anodized aluminum (finish) inside corner (back measures 7 9/16 in. – 192 mm long on each side)	518.00
ALUX4OC90*	outside corner (back measures 7 9/16 in. – 192 mm long on each side)	480.00
ALUX4OC90CA	anodized aluminum (finish) outside corner (back measures 7 9/16 in. – 192 mm long on each side)	518.00
ALUX4CB**	clean back (fully finished, no mounting holes or knockouts)	202.00
ALUX4BT*	air inlet from below/output from top	---
ALUX4SA*	full-width flush-fit stand – height of 2 to 12 in. – 51 to 305 mm	---
ALUX4SR*	full-width recessed stand (19/32 in. – 15 mm) – height of 2 to 12 in. – 51 to 305 mm	---

Electronic relays can receive a PWM (pulsed width modulation) or digital (on/off) signal.

\* Add W for white or SW for soft white.

\* Factory installed

