

CBH

CABINET HEATER



POWERFUL HEATER, IMPRESSIVE RESULTS

When you need a lot of high-efficiency heating, the CBH is the right choice. Its resistant coating is well-suited to all types of commercial spaces and other high-traffic areas. This forced-air cabinet heater features unparalleled durability. It is also extremely versatile, with the option of recessed, semi-recessed or surface mounted installation, and a durable steel casing. The CBH unit can be ceiling mounted when wall mounting is not an option. The CBH ensures powerful, even air flow as the fan is coupled directly to the motor. The option of connecting it to a ventilation duct makes it even more adaptable. The CBH is your assurance of reliable heating for years to come.

POWERFUL WITH BIG AIRFLOW

MULTIPLE INSTALLATION OPTIONS
RECESSED, SEMI-RECESSED, SURFACE
MOUNTED TO A CEILING OR WALL

ROBUST AND DURABLE

COLOURS

- **standard:** white, soft white
- **Orora (optional):** refer to www.stelpro.com/en-CA/Orora

FINISH

- epoxy-polyester powdercoat

MANUFACTURING

- 18-gauge steel cabinet and 16-gauge steel front panel
- powerful motor with squirrel-cage blower and time-delay relay
- 1/15 hp (2 kW to 12 kW units); 1/5 hp (15 kW to 20 kW units)
- large variety of airflow configurations which are adaptable on the construction site
- thermal protection with automatic reset
- high intensity (factory setting)
- low intensity available when manufactured with high/low selection switch (optional)

ELEMENT

- nichrome element producing instant heat

CONTROL

- high/low switch (heating and ventilation) (available from 4 kW)
- connection of multiple units to the same thermostat is possible with a relay kit without transformer (optional) and an external transformer (not provided)

INSTALLATION

- wall mounted
- ceiling mounted (maximum 12 ft. in height)
- surface mounted
- recessed or semi-recessed with four-piece trim frame (optional)

WARRANTY

- three years

IDEAL FOR:

commercial space, hospital, shopping centre, school, sports arena

°STELPRO

Stelpro reserves the right to modify descriptions, manufacturing specifications or prices without prior notice. No returns accepted on optional-colour products. For all the latest models and prices, please refer to our website at www.stelpro.com.



TECHNICAL SPECIFICATIONS

BUILT-IN THERMOSTAT		240 V CONTROL	24 V CONTROL			
CODE	PRICE	CODE	CODE	PRICE	VOLTS	KW
24 IN. (610 MM) MODELS (2 KW TO 6 KW) / CFM 300 / 34.9 KG (77 LB)						
CBH0281CT	3449.00	CBH0281C	CBH0281C24	3316.00	208	2
CBH0283CT*	3449.00	CBH0283C*	CBH0283C24*	3316.00	208	2
CBH0221CT	3449.00	CBH0221C	CBH0221C24	3316.00	240	2
CBH0231CT	3449.00	CBH0231C	CBH0231C24	3316.00	347	2
CBH0261CT	3449.00	CBH0261C	CBH0261C24	3316.00	600	2
CBH0263CT*	3449.00	CBH0263C*	CBH0263C24*	3316.00	600	2
CBH0381CT	3646.00	CBH0381C	CBH0381C24	3514.00	208	3
CBH0383CT*	3646.00	CBH0383C*	CBH0383C24*	3514.00	208	3
CBH0321CT	3646.00	CBH0321C	CBH0321C24	3514.00	240	3
CBH0331CT	3646.00	CBH0331C	CBH0331C24	3514.00	347	3
CBH0361CT	3646.00	CBH0361C	CBH0361C24	3514.00	600	3
CBH0363CT*	3646.00	CBH0363C*	CBH0363C24*	3514.00	600	3
CBH0481CT	3787.00	CBH0481C	CBH0481C24	3652.00	208	4
CBH0483CT*	3787.00	CBH0483C*	CBH0483C24*	3652.00	208	4
CBH0421CT	3787.00	CBH0421C	CBH0421C24	3652.00	240	4
CBH0431CT	3787.00	CBH0431C	CBH0431C24	3652.00	347	4
CBH0461CT	3787.00	CBH0461C	CBH0461C24	3652.00	600	4
CBH0463CT*	3787.00	CBH0463C*	CBH0463C24*	3652.00	600	4
CBH0581CT	4090.00	CBH0581C	CBH0581C24	3957.00	208	5
CBH0583CT*	4090.00	CBH0583C*	CBH0583C24*	3957.00	208	5
CBH0521CT	4090.00	CBH0521C	CBH0521C24	3957.00	240	5
CBH0531CT	4090.00	CBH0531C	CBH0531C24	3957.00	347	5
CBH0561CT	4090.00	CBH0561C	CBH0561C24	3957.00	600	5
CBH0563CT*	4090.00	CBH0563C*	CBH0563C24*	3957.00	600	5
CBH0681CT	4130.00	CBH0681C	CBH0681C24	3997.00	208	6
CBH0683CT*	4130.00	CBH0683C*	CBH0683C24*	3997.00	208	6
CBH0621CT	4130.00	CBH0621C	CBH0621C24	3997.00	240	6
CBH0631CT	4130.00	CBH0631C	CBH0631C24	3997.00	347	6
CBH0661CT	4130.00	CBH0661C	CBH0661C24	3997.00	600	6
CBH0663CT*	4130.00	CBH0663C*	CBH0663C24*	3997.00	600	6

TECHNICAL SPECIFICATIONS (CONT'D)

BUILT-IN THERMOSTAT		240 V CONTROL	24 V CONTROL			
CODE	PRICE	CODE	CODE	PRICE	VOLTS	KW
36 IN. (914 MM) MODELS (8 KW TO 12 KW) / CFM 600 / 43 KG (95 LB)						
CBH0881CT	4565.00	CBH0881C	CBH0881C24	4431.00	208	8
CBH0883CT*	4565.00	CBH0883C*	CBH0883C24*	4431.00	208	8
CBH0821CT	4565.00	CBH0821C	CBH0821C24	4431.00	240	8
CBH0831CT	4565.00	CBH0831C	CBH0831C24	4431.00	347	8
CBH0861CT	4565.00	CBH0861C	CBH0861C24	4431.00	600	8
CBH0863CT*	4565.00	CBH0863C*	CBH0863C24*	4431.00	600	8
CBH1081CT	4812.00	CBH1081C	CBH1081C24	4677.00	208	10
CBH1083CT*	4812.00	CBH1083C*	CBH1083C24*	4677.00	208	10
CBH1021CT	4812.00	CBH1021C	CBH1021C24	4677.00	240	10
CBH1031CT	4812.00	CBH1031C	CBH1031C24	4677.00	347	10
CBH1061CT	4812.00	CBH1061C	CBH1061C24	4677.00	600	10
CBH1063CT*	4812.00	CBH1063C*	CBH1063C24*	4677.00	600	10
CBH1283CT*	5025.00	CBH1283C*	CBH1283C24*	4892.00	208	12
CBH1221CT	5025.00	CBH1221C	CBH1221C24	4892.00	240	12
CBH1231CT	5025.00	CBH1231C	CBH1231C24	4892.00	347	12
CBH1263CT*	5025.00	CBH1263C*	CBH1263C24*	4892.00	600	12
48 IN. (1219 MM) MODELS (15 KW TO 20 KW) / CFM 1000 / 50.7 KG (112 LB)						
CBH1583CT*	7916.00	CBH1583C*	CBH1583C24*	7784.00	208	15
CBH1521CT	7916.00	CBH1521C	CBH1521C24	7784.00	240	15
CBH1531CT	7916.00	CBH1531C	CBH1531C24	7784.00	347	15
CBH1563CT*	7916.00	CBH1563C*	CBH1563C24*	7784.00	600	15
CBH1883CT*	8206.00	CBH1883C*	CBH1883C24*	8075.00	208	18
CBH1821CT	8206.00	CBH1821C	CBH1821C24	8075.00	240	18
CBH1831CT	8206.00	CBH1831C	CBH1831C24	8075.00	347	18
CBH1863CT*	8206.00	CBH1863C*	CBH1863C24*	8075.00	600	18
CBH2083CT*	8624.00	CBH2083C*	CBH2083C24*	8491.00	208	20
CBH2021CT	8624.00	CBH2021C	CBH2021C24	8491.00	240	20
CBH2031CT	8624.00	CBH2031C	CBH2031C24	8491.00	347	20
CBH2063CT*	8624.00	CBH2063C*	CBH2063C24*	8491.00	600	20

Add W for white or SW for soft white (consult the optional colours chart or contact your Stelpro representative for all other colours).
Models also available in 277 V and 480 V. * Three-phase unit

HEAT RISE

UNITS	HEAT RISE	
	°C	°F
KW		
2	21	38
3	29	53
4	37	67
5	44	80
6	52	93
8	36	65
10	37	67
12	48	86
15	33	59
18	42	76
20	54	97

AIRFLOW AND WEIGHT

UNITS	AIRFLOW	WEIGHT	
	CFM	KG	LB
KW			
FROM 2 TO 6	300	34.9	77
FROM 8 TO 12	600	43	95
FROM 15 TO 20	1000	50.7	112

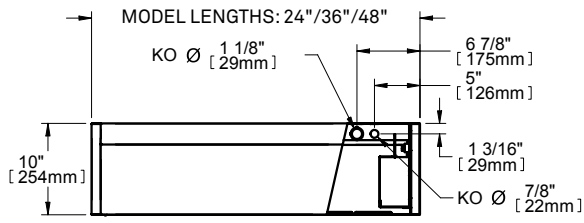


ACCESSORIES

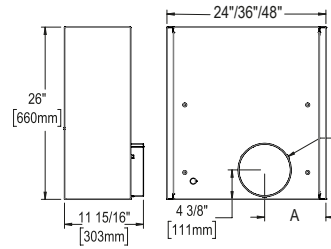
PRODUCT	DESCRIPTION	PRICE
CBHT1	built-in tamper-proof single pole thermostat	134.00
CBHFS*	fan switch	244.00
CBHMS*	on/off switch	150.00
CBHHL*	high/low switch (available from 4 kW)	266.00
CBHTB24*	four-piece trim frame (24 in. – 610 mm units)	151.00
CBHTB36*	four-piece trim frame (36 in. – 914 mm units)	157.00
CBHTB48*	four-piece trim frame (48 in. – 1219 mm units)	164.00
CBHSB24*	sub-base (24 in. – 610 mm units)	156.00
CBHSB36*	sub-base (36 in. – 914 mm units)	161.00
CBHSB48*	sub-base (48 in. – 1219 mm units)	167.00
CBHCB24**	clean back (fully finished, no mounting holes or knockouts) (24 in. – 610 mm units)	476.00
CBHCB36**	clean back (fully finished, no mounting holes or knockouts) (36 in. – 914 mm units)	510.00
CBHCB48**	clean back (fully finished, no mounting holes or knockouts) (48 in. – 1219 mm units)	545.00
CBHC24RX*	relay kit without transformer 24 V	136.00
CBHDIS 80A*	built-in disconnect switch [80 A]	286.00
CBHR24M*	motorized fresh air damper for 24 inch unit – round collar (4 to 6 in.) (for FF, FT or FB configurations only)	721.00
CBHR36M*	motorized fresh air damper for 36 inch unit – round collar (4 to 6 in.) (for FF, FT or FB configurations only)	732.00
CBHR48M*	motorized fresh air damper for 48 inch unit – round collar (4 to 6 in.) (for FF, FT or FB configurations only)	808.00
CBHS24*	fresh air inlet for 24 inch unit – square collar (max 10 in. L x 8 in. H)	431.00
CBHS36*	fresh air inlet for 36 inch unit – square collar (max 21 in. L x 8 in. H)	457.00
CBHS48*	fresh air inlet for 48 inch unit – square collar (max 31 3/4 in. L x 8 in. H)	538.00
CBHR24*	fresh air inlet for 24 inch unit – round collar (4 to 8 in.)	431.00
CBHR36*	fresh air inlet for 36 inch unit – round collar (4 to 8 in.)	457.00
CBHR48*	fresh air inlet for 48 inch unit – round collar (4 to 8 in.)	538.00

* Add W for white or SW for soft white. * Factory installed

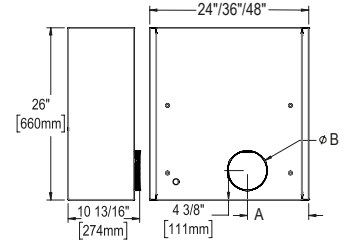
TECHNICAL DRAWINGS



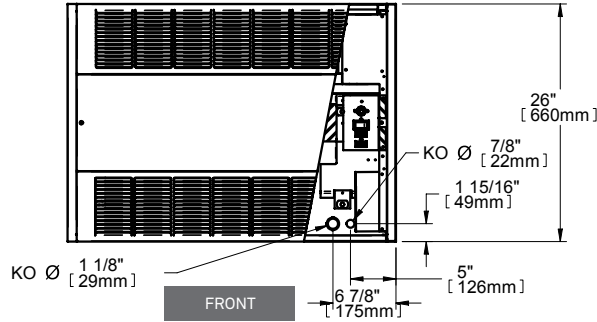
TOP



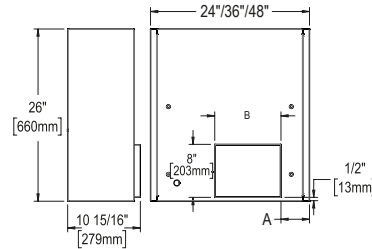
CBHR24/36/48



CBHR24/36/48M



FRONT

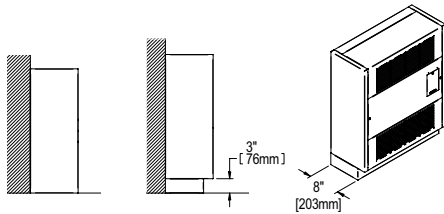


CBHS24/36/48

OPTION CODE	A IN.	B IN.
CBHR24	9 1/4	4 to 8
CBHR36	9 3/4	4 to 8
CBHR48	9 3/4	4 to 8
CBHR24M	9 1/4	4 to 6
CBHR36M	9 3/4	4 to 6
CBHR48M	9 3/4	4 to 6
CBHS24	4 5/16	10
CBHS36	4 7/8	21
CBHS48	4 7/8	31 3/4

INSTALLATION

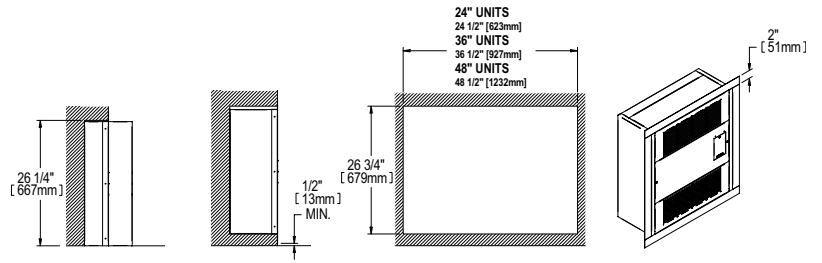
SURFACE MOUNTED



SURFACE MOUNTED

SUB-BASE MOUNTING

RECESSED OR SEMI-RECESSED WITH FOUR-PIECE TRIM FRAME (OPTIONAL)

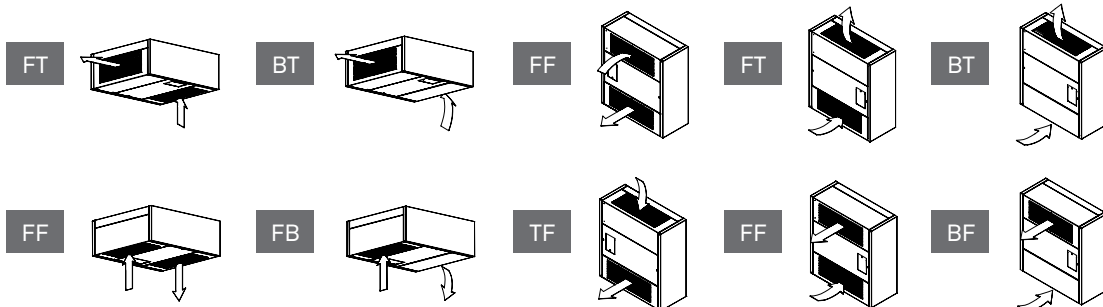


SEMI-RECESSED

RECESSED

WALL OPENING

TRIM FRAME



SEVERAL AIRFLOW CONFIGURATIONS ARE POSSIBLE AND ADAPTABLE ON CONSTRUCTION SITE:
F = FRONT, T = TOP, B = BOTTOM