

CF

CEILING FAN HEATER



THE SPACE-SAVER

Stelpro has the perfect space-saving solution for heating small entryways, hallways and lobbies: the sturdy, reliable CF ceiling fan heater. Built to last, the CF pushes heat downward so that it mixes with the cold air below. It can be surface mounted or recessed into conventional ceilings or recessed in suspended ceilings. Whether installed in an entryway or hallway, the CF provides all the heat you need in an enclosed space.

GRILLE WITH ROUNDED SIDES
DURABLE AND STYLISH

THE PERFECT SOLUTION FOR ENTRYWAYS AND HALLWAYS

CEILING MOUNTED
PREVENTS VANDALISM

MULTIPLE INSTALLATION OPTIONS
CAN BE SURFACE MOUNTED OR RECESSED – OR RECESSED IN A SUSPENDED CEILING

OPTIONAL DISCONNECT SWITCH AVAILABLE



ROUNDED SIDES

IDEAL FOR:

entryway, hallway, corridor, office building

COLOURS

- **standard:** white, soft white
- **luxury finish:** stainless steel (see price list)
- **Orora (optional):** refer to www.stelpro.com/en-CA/Orora

FINISH

- epoxy-polyester powdercoat or stainless steel

MANUFACTURING

- 20-gauge steel cabinet and 18-gauge steel grille
- fan: 1 x 160 CFM (single unit) – 2 x 160 CFM (double unit)
- thermal protection with automatic reset

ELEMENT

- nichrome element producing instant heat

CONTROL

- connection of multiple units to the same thermostat is possible with a relay kit without transformer (optional) and an external transformer (not provided)

INSTALLATION

- ceiling
- recessed or surface mounted with surface adapter (optional)
- T-Bar adapter (optional)

WARRANTY

- three years

°STELPRO

Stelpro reserves the right to modify descriptions, manufacturing specifications or prices without prior notice. No returns accepted on optional-colour products. For all the latest models and prices, please refer to our website at www.stelpro.com.



FC_CF_EN_270420

TECHNICAL SPECIFICATIONS

WITHOUT CONTROL			BUILT-IN THERMOSTAT			240 V CONTROL	24 V CONTROL			POWER	VOLTAGE	WEIGHT		MODEL
CODE	PRICE W OR SW	PRICE SS	CODE	PRICE W OR SW	PRICE SS	CODE	CODE	PRICE W OR SW	PRICE SS	WATTS	VOLTS	KG	LB	UNIT
CF1508	566.00	691.00	CF1508T	615.00	740.00	CF1508C	CF1508C24	720.00	844.00	1500	208	9	20	SINGLE
CF1502	566.00	691.00	CF1502T	615.00	740.00	CF1502C	CF1502C24	720.00	844.00	1500/1125	240/208	9	20	SINGLE
CF1503	811.00	934.00	CF1503T	860.00	984.00	CF1503C	CF1503C24	964.00	1087.00	1500	347	9	20	SINGLE
---	---	---	CF1506T	901.00	1025.00	CF1506C	CF1506C24	1006.00	1130.00	1500	600	10	22	SINGLE
CF2008	566.00	691.00	CF2008T	615.00	740.00	CF2008C	CF2008C24	720.00	844.00	2000	208	9	20	SINGLE
CF2002	566.00	691.00	CF2002T	615.00	740.00	CF2002C	CF2002C24	720.00	844.00	2000/1500	240/208	9	20	SINGLE
CF2003	811.00	934.00	CF2003T	860.00	984.00	CF2003C	CF2003C24	964.00	1087.00	2000	347	9	20	SINGLE
---	---	---	CF2006T	901.00	1025.00	CF2006C	CF2006C24	1006.00	1130.00	2000	600	10	22	SINGLE
CF3008	581.00	705.00	CF3008T	629.00	752.00	CF3008C	CF3008C24	735.00	858.00	3000	208	9	20	SINGLE
CF3002	581.00	705.00	CF3002T	629.00	752.00	CF3002C	CF3002C24	735.00	858.00	3000/2250	240/208	9	20	SINGLE
CF3003	825.00	949.00	CF3003T	875.00	999.00	CF3003C	CF3003C24	978.00	1103.00	3000	347	9	20	SINGLE
---	---	---	CF3006T	916.00	1039.00	CF3006C	CF3006C24	1020.00	1144.00	3000	600	10	22	SINGLE
CF4008	623.00	747.00	CF4008T	671.00	795.00	CF4008C	CF4008C24	776.00	900.00	4000	208	9	20	SINGLE
CF4002	623.00	747.00	CF4002T	671.00	795.00	CF4002C	CF4002C24	776.00	900.00	4000/3000	240/208	9	20	SINGLE
CF4003	866.00	991.00	CF4003T	916.00	1039.00	CF4003C	CF4003C24	1020.00	1144.00	4000	347	9	20	SINGLE
---	---	---	CF4006T	957.00	1082.00	CF4006C	CF4006C24	1062.00	1187.00	4000	600	10	22	SINGLE
---	---	---	CF6008CT	1552.00	1789.00	CF6008C	CF6008C24	1502.00	1739.00	6000	208	18	40	DOUBLE
---	---	---	CF6002T	1397.00	1634.00	CF6002C	CF6002C24	1502.00	1739.00	6000/4500	240/208	18	40	DOUBLE
---	---	---	CF6003T	1815.00	2053.00	CF6003C	CF6003C24	1920.00	2157.00	6000	347	18	40	DOUBLE
---	---	---	CF6006T	1815.00	2053.00	CF6006C	CF6006C24	1920.00	2157.00	6000	600	20	44	DOUBLE
---	---	---	CF8008CT	1648.00	1885.00	CF8008C	CF8008C24	1600.00	1836.00	8000	208	18	40	DOUBLE
---	---	---	CF8002CT	1648.00	1885.00	CF8002C	CF8002C24	1600.00	1836.00	8000/6000	240/208	18	40	DOUBLE
---	---	---	CF8003CT	2227.00	2464.00	CF8003C	CF8003C24	2180.00	2416.00	8000	347	18	40	DOUBLE
---	---	---	CF8006CT	2227.00	2464.00	CF8006C	CF8006C24	2180.00	2416.00	8000	600	20	44	DOUBLE

Add W for white, SW for soft white or SS for stainless steel (consult the optional colours chart or contact your Stelpro representative for all other colours).

Models also available in 277 V and 480 V.

--- not available

ACCESSORIES

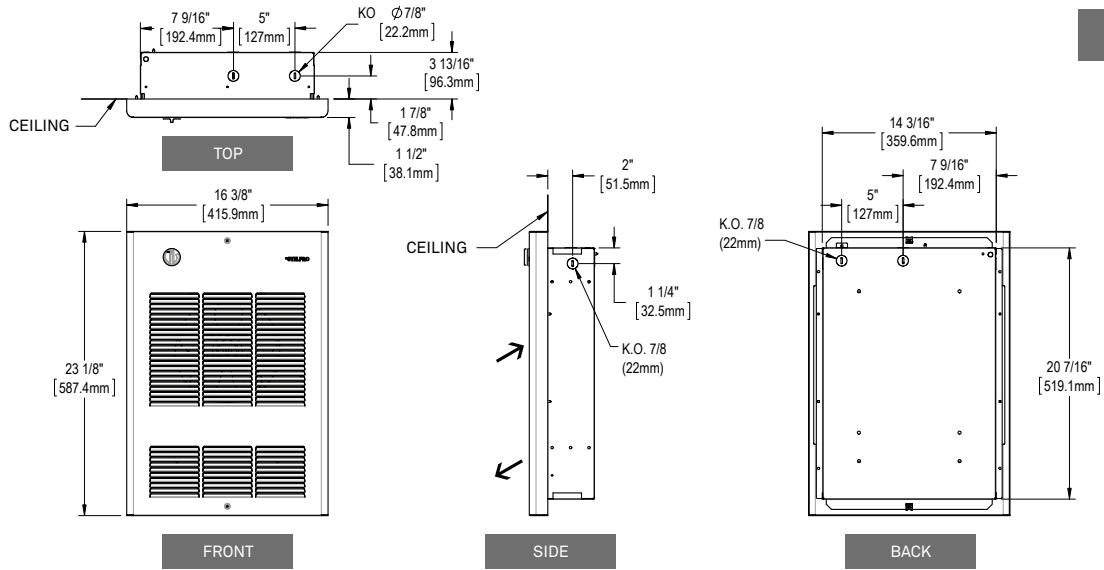
PRODUCT	DESCRIPTION	PRICE
WFT1	built-in single pole thermostat [120 V-600 V]	50.00
WFT2	built-in double pole thermostat [120 V-600 V]	63.50
WFSA1*	surface adapter (single unit)	66.25
WFSA2*	surface adapter (double unit)	136.00
WFSA1SS	stainless steel surface adapter (single unit)	164.00
WFSA2SS	stainless steel surface adapter (double unit)	282.00
WFDIS-30*	disconnect switch kit 600 V/30 A, 2 poles	132.00
WFDIS-40*	disconnect switch kit 600 V/40 A, 2 poles/3 poles	156.00
WFDIS-60*	disconnect switch kit 600 V/60 A, 2 poles/3 poles	188.00
CFTBA1*	T-Bar adapter (single unit)	75.00
CFTBA2*	T-Bar adapter (double unit)	136.00
CFTBA1SS	stainless steel T-Bar adapter (single unit)	199.00
CFTBA2SS	stainless steel T-Bar adapter (double unit)	243.00
WFC24RX*	relay kit without transformer 24 V	136.00

* Add W for white or SW for soft white.

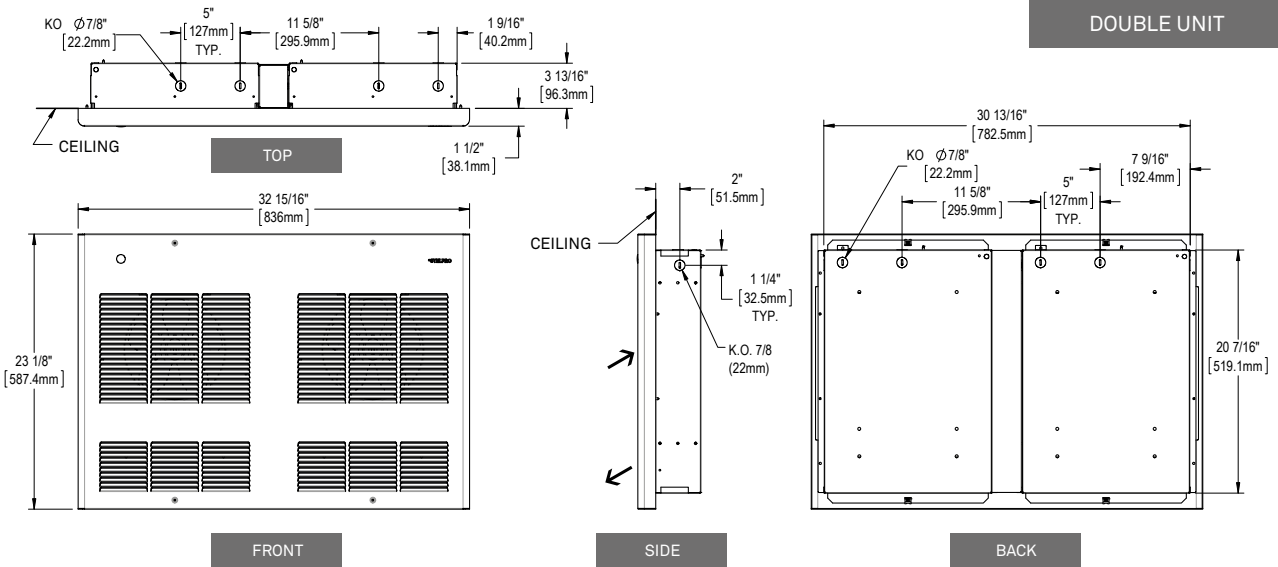
* Factory installation

TECHNICAL DRAWINGS

SINGLE UNIT



DOUBLE UNIT





Stelpro reserves the right to modify descriptions, manufacturing specifications or prices without prior notice. No returns accepted on optional-colour products. For all the latest models and prices, please refer to our website at www.stelpro.com.