

ACF

CEILING FAN HEATER



THE SPACE-SAVER

Stelpro has the perfect space-saving solution for heating small entryways, hallways and lobbies: the sturdy, reliable ACF ceiling fan heater. Built to last, the ACF pushes heat downward so that it mixes with the cold air below. It can be surface mounted or recessed into conventional ceilings or recessed in suspended ceilings. Whether installed in an entryway or hallway, the ACF provides all the heat you need in an enclosed space.

GRILLE WITH ROUNDED SIDES
DURABLE AND STYLISH

THE PERFECT SOLUTION FOR ENTRYWAYS AND HALLWAYS

CEILING MOUNTED
PREVENTS VANDALISM

MULTIPLE INSTALLATION OPTIONS
CAN BE SURFACE MOUNTED OR RECESSED – OR RECESSED IN A SUSPENDED CEILING

OPTIONAL DISCONNECT SWITCH AVAILABLE



ROUNDED SIDES

IDEAL FOR:

entryway, hallway, corridor, office building

COLORS

- **standard:** white, soft white
- **luxury finish:** stainless steel (see price list)
- **Orora (optional):** refer to www.stelpro.com/en-US/Orora

FINISH

- epoxy-polyester powdercoat or stainless steel

MANUFACTURING

- 20-gauge steel cabinet and 18-gauge steel grille
- fan: 1 x 160 CFM (single unit) – 2 x 160 CFM (double unit)
- thermal protection with automatic reset

ELEMENT

- nichrome element producing instant heat

CONTROL

- connection of multiple units to the same thermostat is possible with a relay kit without transformer (optional) and an external transformer (not provided)

INSTALLATION

- ceiling
- recessed or surface mounted with surface adapter (optional)
- T-Bar adapter (optional)

WARRANTY

- three years



Stelpro reserves the right to modify descriptions, manufacturing specifications or prices without prior notice. No returns accepted on optional-color products. For all the latest models and prices, please refer to our website at www.stelpro.com.



FC_CF_US_270420

TECHNICAL SPECIFICATIONS

WITHOUT CONTROL	BUILT-IN THERMOSTAT	240 V CONTROL	24 V CONTROL	POWER		VOLTAGE	MODEL
CODE	CODE	CODE	CODE	WATTS	BTU/H	VOLTS	UNIT
ACF1501	ACF1501T	---	ACF1501C24	1500	5119	120	SINGLE
ACF1508	ACF1508T	ACF1508C	ACF1508C24	1500	5119	208	SINGLE
ACF1502	ACF1502T	ACF1502C	ACF1502C24	1500/1125	5119/3839	240/208	SINGLE
ACF1507	ACF1507T	ACF1507C	ACF1507C24	1500	5119	277	SINGLE
---	ACF1505CT	ACF1505C	ACF1505C24	1500	5119	480	SINGLE
ACF2008	ACF2008T	ACF2008C	ACF2008C24	2000	6825	208	SINGLE
ACF2002	ACF2002T	ACF2002C	ACF2002C24	2000/1500	6825/5119	240/208	SINGLE
ACF2007	ACF2007T	ACF2007C	ACF2007C24	2000	6825	277	SINGLE
---	ACF2005CT	ACF2005C	ACF2005C24	2000	6825	480	SINGLE
ACF3008	ACF3008T	ACF3008C	ACF3008C24	3000	10 238	208	SINGLE
ACF3002	ACF3002T	ACF3002C	ACF3002C24	3000/2250	10238/7679	240/208	SINGLE
ACF3007	ACF3007T	ACF3007C	ACF3007C24	3000	10 238	277	SINGLE
---	ACF3005CT	ACF3005C	ACF3005C24	3000	10 238	480	SINGLE
ACF4008*	ACF4008T*	ACF4008C*	ACF4008C24*	4000	13 651	208	SINGLE
ACF4002*	ACF4002T*	ACF4002C*	ACF4002C24*	4000/3000	13 651/10 238	240/208	SINGLE
ACF4007*	ACF4007T*	ACF4007C*	ACF4007C24*	4000	13 651	277	SINGLE
---	ACF4005CT*	ACF4005C*	ACF4005C24*	4000	13 651	480	SINGLE
---	ACF6008CT	ACF6008C	ACF6008C24	6000	20 476	208	DOUBLE
---	ACF6002T	ACF6002C	ACF6002C24	6000/4500	20 476/15 357	240/208	DOUBLE
---	ACF6007T	ACF6007C	ACF6007C24	6000	20 476	277	DOUBLE
---	ACF6005CT	ACF6005C	ACF6005C24	6000	20 476	480	DOUBLE
---	ACF8008CT	ACF8008C	ACF8008C24	8000	27 302	208	DOUBLE
---	ACF8002CT	ACF8002C	ACF8002C24	8000/6000	27 302/20 476	240/208	DOUBLE
---	ACF8007CT	ACF8007C	ACF8007C24	8000	27 302	277	DOUBLE
---	ACF8005CT	ACF8005C	ACF8005C24	8000	27 302	480	DOUBLE

Add W for white, SW for soft white or SS for stainless steel (consult the optional colors chart or contact your Stelpro representative for all other colors).

* Dual wattage (4000/2000 W – 13 651/6825 BTU/H)

--- not available

ACCESSORIES

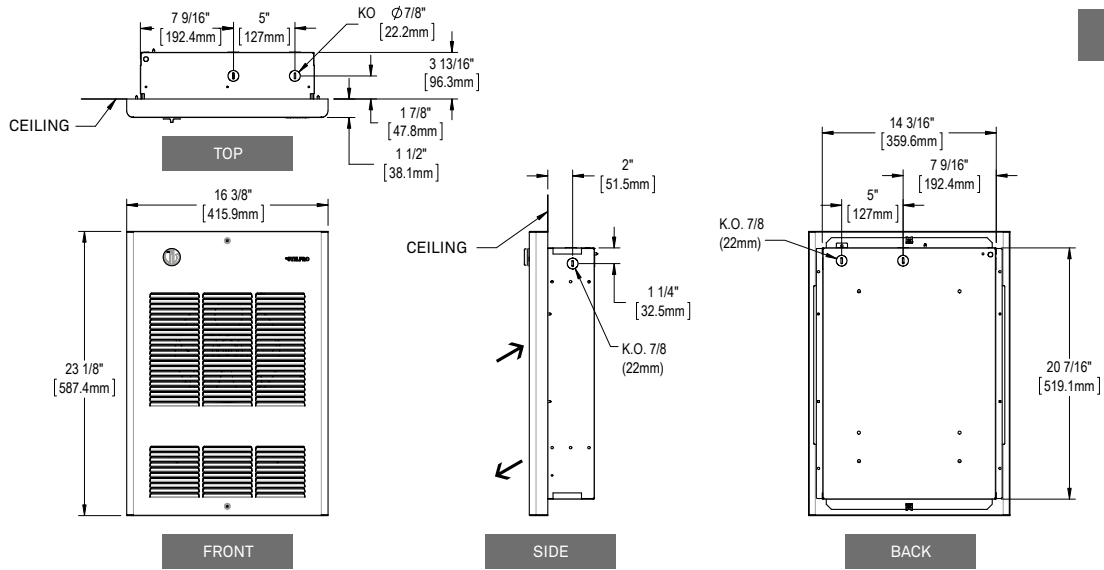
PRODUCT	DESCRIPTION
WFT1	built-in single pole thermostat [120 V – 600 V]
WFT2	built-in double pole thermostat [120 V – 600 V]
WFSA1*	surface adapter (single unit)
WFSA2*	surface adapter (double unit)
WFSA1SS	stainless steel surface adapter (single unit)
WFSA2SS	stainless steel surface adapter (double unit)
WFDIS-30*	disconnect switch kit 600 V/30 A, 2 poles
WFDIS-40*	disconnect switch kit 600 V/40 A, 2 poles/3 poles
WFDIS-60*	disconnect switch kit 600 V/60 A, 2 poles/3 poles
CFTBA1*	T-Bar adapter (single unit)
CFTBA2*	T-Bar adapter (double unit)
CFTBA1SS	stainless steel T-Bar adapter (single unit)
CFTBA2SS	stainless steel T-Bar adapter (double unit)
WFC24RX*	relay kit without transformer 24 V

* Add W for white or SW for soft white

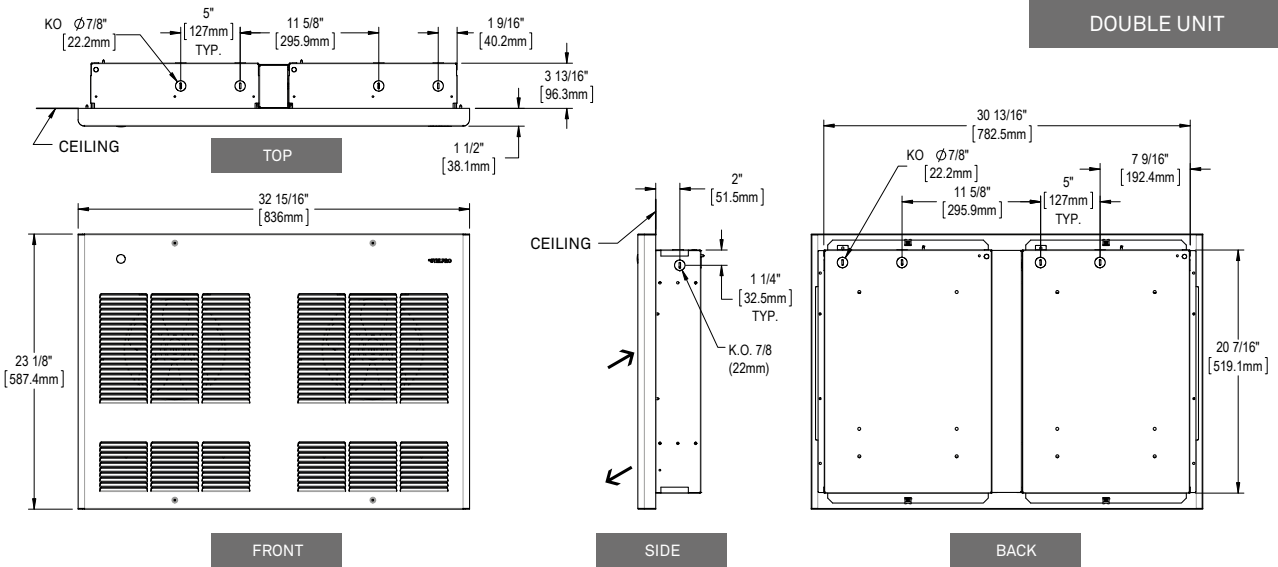
* Factory installed

TECHNICAL DRAWINGS

SINGLE UNIT



DOUBLE UNIT





Stelpro reserves the right to modify descriptions, manufacturing specifications or prices without prior notice. No returns accepted on optional-color products. For all the latest models and prices, please refer to our website at www.stelpro.com.