

CW750

ARCHITECTURAL CABINET



PERFECT FOR LARGE SPACES

The CW750 architectural cabinet convector belongs to our range of unique-design high-watt-density heaters. This unit is ideal for locations that require a high heat output where the noise of a fan heater is undesirable, such as showrooms and museums. The CW750 is a convection heater that draws air in at the front and expels it at the top for effective heat distribution. It offers 750 W per linear foot.

INCREDIBLE HEAT DENSITY

UP TO 750 W PER LINEAR FOOT

ATTRACTIVE EXTRUDED ALUMINUM GRILLE

PERFECT FOR PUBLIC PLACES
COMMERCIAL SPACES, PUBLIC
INSTITUTIONS, ETC.

BLANK SECTIONS AVAILABLE
FOR A CONTINUOUS LOOK

COLOURS

- **standard:** white, soft white
- **Orora (optional):** refer to www.stelpro.com/en-CA/Orora

FINISH

- epoxy-polyester powdercoat

MANUFACTURING

- 18-gauge steel cabinet, 16-gauge steel front panel and extruded aluminum grilles with a thickness equivalent to 13 gauge
- front air intake and top air discharge (front inlet and front outlet available*)
- thermal protection with automatic reset
- full-length wireway

ELEMENTS

- three tubular elements, stainless steel sheathed with boxed aluminum fins for improved heat dissipation; the elements are securely fastened at their centres, floating in nylon sleeves at each end, eliminating expansion and contraction noises

CONTROL

- wall thermostat (not included) – the use of an electronic thermostat is strongly recommended
- built-in tamper-proof thermostat accessible without removing front grille, installed in the left or right junction box (optional)
- low voltage relay kit installed in the left or right junction box (optional)

INSTALLATION

- surface mounted or wall recessed* with four-piece trim frame (optional)
- wall or floor mounted with or without pedestal kit (optional)
- wiring compartments at both ends of unit
- blank sections (custom lengths) and accessories are available for a continuous look (optional)

WARRANTY

- three years

* Front inlet and front outlet [FF] version is available only in 450-W and 600-W densities per linear foot (see the technical specifications table).



This unit is intended for commercial use. Models with a density greater than 450 W/ft. can become very hot.

IDEAL FOR:

shopping mall, hospital, lobby, corridor

°STELPRO

Stelpro reserves the right to modify descriptions, manufacturing specifications or prices without prior notice. No returns accepted on optional-colour products. For all the latest models and prices, please refer to our website at www.stelpro.com.



TECHNICAL SPECIFICATIONS

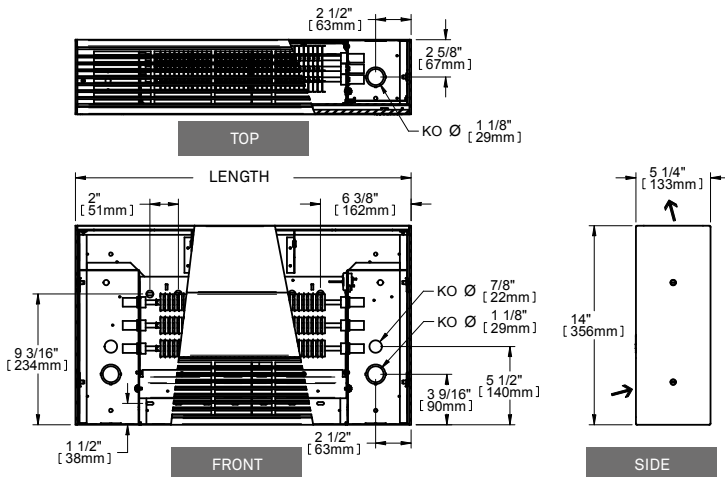
DENSITY OF 750 W PER LINEAR FOOT		DENSITY OF 600 W PER LINEAR FOOT		DENSITY OF 450 W PER LINEAR FOOT		VOLTAGE	LENGTH		WEIGHT		PRICE
CODE	WATTS	CODE	WATTS	CODE	WATTS	VOLTS	MM	IN.	KG	LB	
---	1500	CW7506128*	1200	CW7506098*	900	208	600	23 5/8	12.7	28	744.00
---	1500	CW7506122	1200	CW7506092	900	240	600	23 5/8	12.7	28	744.00
---	1500	CW7506123	1200	CW7506093	900	347	600	23 5/8	12.7	28	744.00
---	1500	CW7506126	1200	CW7506096	900	600	600	23 5/8	12.7	28	744.00
---	2250	CW7509188*	1800	CW7509138*	1350	208	900	35 7/16	17.7	39	836.00
---	2250	CW7509182	1800	CW7509132	1350	240	900	35 7/16	17.7	39	836.00
---	2250	CW7509183	1800	CW7509133	1350	347	900	35 7/16	17.7	39	836.00
---	2250	CW7509186*	1800	CW7509136	1350	600	900	35 7/16	17.7	39	836.00
---	3000	CW75012248*	2400	CW75012188*	1800	208	1200	47 1/4	24	53	979.00
---	3000	CW75012242	2400	CW75012182	1800	240	1200	47 1/4	24	53	979.00
---	3000	CW75012243	2400	CW75012183	1800	347	1200	47 1/4	24	53	979.00
---	3000	CW75012246*	2400	CW75012186	1800	600	1200	47 1/4	24	53	979.00
CW75015378*	3750	CW75015308*	3000	CW75015228*	2250	208	1500	59 1/16	29	64	1074.00
CW75015372	3750	CW75015302	3000	CW75015222	2250	240	1500	59 1/16	29	64	1074.00
CW75015373	3750	CW75015303	3000	CW75015223	2250	347	1500	59 1/16	29	64	1074.00
CW75015376*	3750	CW75015306*	3000	CW75015226*	2250	600	1500	59 1/16	29	64	1074.00
CW75018458*	4500	CW75018368*	3600	CW75018278*	2700	208	1800	70 7/8	33.6	74	1107.00
CW75018452	4500	CW75018362	3600	CW75018272	2700	240	1800	70 7/8	33.6	74	1107.00
CW75018453	4500	CW75018363	3600	CW75018273	2700	347	1800	70 7/8	33.6	74	1107.00
CW75018456*	4500	CW75018366*	3600	CW75018276*	2700	600	1800	70 7/8	33.6	74	1107.00
CW75021528*	5250	CW75021428*	4200	CW75021318*	3150	208	2100	82 11/16	38.6	85	1195.00
CW75021522	5250	CW75021422	4200	CW75021312	3150	240	2100	82 11/16	38.6	85	1195.00
CW75021523	5250	CW75021423	4200	CW75021313	3150	347	2100	82 11/16	38.6	85	1195.00
CW75021526*	5250	CW75021426*	4200	CW75021316*	3150	600	2100	82 11/16	38.6	85	1195.00
CW75024608*	6000	CW75024488*	4800	CW75024368*	3600	208	2400	94 1/2	43.5	96	1285.00
CW75024602	6000	CW75024482	4800	CW75024362	3600	240	2400	94 1/2	43.5	96	1285.00
CW75024603	6000	CW75024483	4800	CW75024363	3600	347	2400	94 1/2	43.5	96	1285.00
CW75024606*	6000	CW75024486*	4800	CW75024366*	3600	600	2400	94 1/2	43.5	96	1285.00

Add W for white or SW for soft white (consult the optional colours chart or contact your Stelpro representative for all other colours).

Add FF for front air outlet (available only in 450 W and 600 W densities per linear foot).

* Add 3 (before the colour code) for three-phase model (available upon request). Models also available in 277 V and 480 V. --- not available

TECHNICAL DRAWINGS



ACCESSORIES

PRODUCT	DESCRIPTION	PRICE
CW750T12*	built-in tamper-proof single pole thermostat	144.00
CW750T22*	built-in tamper-proof double pole thermostat	240.00
CW750T33*	built-in tamper-proof triple pole thermostat (3 ph)	302.00
CW750RE153*	built-in electronic low voltage relay [15 A @ 120 V-347 V]	82.50
CW750RE156*	built-in electronic low voltage relay [6 A @ 600 V]	128.00
CW750RE153T*	built-in electronic low voltage relay c/w transformer 24 V [15 A @ 208 V-347 V]	100.00
CW750RM240T*	built-in electromechanical relay c/w transformer 24 V [5000 W @ 208 V / 6000 W @ 240 V]	103.00
CW750RM347T*	built-in electromechanical relay c/w transformer 24 V [6000 W @ 347 V]	114.00
CW750RM347C*	built-in electromechanical relay w/o transformer 24 V [6000 W @ 120 V-347 V]	86.50
CW750R841C1151*	built-in electromechanical relay c/w transformer 24 V [6000 W @ 600 V]	165.00
CW750R841D1036*	built-in electromechanical relay w/o transformer 24 V [6000 W @ 600 V]	146.00
PK3*	pedestal kit (kit of two)	128.00
CW750JS*	joiner strip (2 in. - 51 mm)	154.00
CW750IC90*	inside corner (back measures 9 13/16 in. (249 mm) long on each side)	712.00
CW750OC90*	outside corner (back measures 9 13/16 in. (249 mm) long on each side)	712.00
CW750TB*	4-piece trim frame	139.00
CW750CB**	clean back (fully finished, no mounting holes or knockouts)	166.00

Electronic relays can receive a PWM (pulsed width modulation) or digital (on/off) signal.

* Add W for white or SW for soft white.

** Factory installed. * Factory installation is strongly recommended.

CW1000

ARCHITECTURAL CABINET



THE CABINET CONVECTOR POWERHOUSE

The CW1000 is a great option for heating large areas requiring higher than normal heat-loss recovery. With its high-density output of 1000 W per linear foot, engineers, architects and designers will no doubt appreciate this heater. It can heat large spaces that have little room to install heaters. Its versatile configuration options allow for front air entry and exit for recessed installation, or front entry and top exit for surface installation.

INCREDIBLE HEAT DENSITY

UP TO 1000 W PER LINEAR FOOT

ATTRACTIVE EXTRUDED ALUMINUM GRILLE

PERFECT FOR PUBLIC PLACES

LARGE LOBBIES, SHOPPING MALLS, ETC.

BLANK SECTIONS AVAILABLE FOR A CONTINUOUS LOOK

COLOURS

- **standard:** white, soft white
- **Orora (optional):** refer to www.stelpro.com/en-CA/Orora

FINISH

- epoxy-polyester powdercoat

MANUFACTURING

- 18-gauge steel cabinet, 16-gauge steel front panel and extruded aluminum grilles with a thickness equivalent to 13 gauge
- front air intake and top air discharge (front inlet and front outlet available*)
- thermal protection with automatic reset
- full-length wireway

ELEMENTS

- four tubular elements, stainless steel sheathed with boxed aluminum fins for improved heat dissipation; the elements are securely fastened at their centres, floating in nylon sleeves at each end, eliminating expansion and contraction noises

CONTROL

- wall thermostat (not included) – the use of an electronic thermostat is strongly recommended
- built-in tamper-proof thermostat accessible without removing front grille, installed in the left or right junction box (optional)
- low voltage relay kit installed in the left or right junction box (optional)

INSTALLATION

- surface mounted or wall recessed* with four-piece trim frame (optional)
- wall or floor mounted with or without pedestal kit (optional)
- wiring compartments at both ends of unit
- blank sections (custom lengths) and accessories are available for a continuous look (optional)

WARRANTY

- three years

* Front outlet [FF] for recessed installations available only in 600 W and 800 W densities per linear foot (see the technical specifications table).



This unit is intended for commercial use. Models with a density greater than 600 W/ft. can become very hot.

IDEAL FOR:

shopping mall, hospital, lobby, corridor

°STELPRO

Stelpro reserves the right to modify descriptions, manufacturing specifications or prices without prior notice. No returns accepted on optional-colour products. For all the latest models and prices, please refer to our website at www.stelpro.com.



TECHNICAL SPECIFICATIONS

DENSITY OF 1000 W PER LINEAR FOOT		DENSITY OF 800 W PER LINEAR FOOT		DENSITY OF 600 W PER LINEAR FOOT		VOLTAGE	LENGTH		WEIGHT		PRICE
CODE	WATTS	CODE	WATTS	CODE	WATTS	VOLTS	MM	IN.	KG	LB	
---	2000	---	1600	CW10006128	1200	208	600	23 5/8	15.8	35	910.00
---	2000	---	1600	CW10006122	1200	240	600	23 5/8	15.8	35	910.00
---	2000	---	1600	CW10006123	1200	347	600	23 5/8	15.8	35	910.00
---	2000	---	1600	CW10006126	1200	600	600	23 5/8	15.8	35	910.00
CW10009308	3000	CW10009248	2400	CW10009188	1800	208	900	35 7/16	24	53	1030.00
CW10009302	3000	CW10009242	2400	CW10009182	1800	240	900	35 7/16	24	53	1030.00
CW10009303	3000	CW10009243	2400	CW10009183	1800	347	900	35 7/16	24	53	1030.00
CW10009306	3000	CW10009246	2400	CW10009186	1800	600	900	35 7/16	24	53	1030.00
CW100012408	4000	CW100012328	3200	CW100012248	2400	208	1200	47 1/4	31.3	69	1150.00
CW100012402	4000	CW100012322	3200	CW100012242	2400	240	1200	47 1/4	31.3	69	1150.00
CW100012403	4000	CW100012323	3200	CW100012243	2400	347	1200	47 1/4	31.3	69	1150.00
CW100012406	4000	CW100012326	3200	CW100012246	2400	600	1200	47 1/4	31.3	69	1150.00
CW100015508	5000	CW100015408	4000	CW100015308	3000	208	1500	59 1/16	38.1	84	1271.00
CW100015502	5000	CW100015402	4000	CW100015302	3000	240	1500	59 1/16	38.1	84	1271.00
CW100015503	5000	CW100015403	4000	CW100015303	3000	347	1500	59 1/16	38.1	84	1271.00
CW100015506	5000	CW100015406	4000	CW100015306	3000	600	1500	59 1/16	38.1	84	1271.00
CW100018608	6000	CW100018488	4800	CW100018368	3600	208	1800	70 7/8	44.5	98	1391.00
CW100018602	6000	CW100018482	4800	CW100018362	3600	240	1800	70 7/8	44.5	98	1391.00
CW100018603	6000	CW100018483	4800	CW100018363	3600	347	1800	70 7/8	44.5	98	1391.00
CW100018606	6000	CW100018486	4800	CW100018366	3600	600	1800	70 7/8	44.5	98	1391.00

Add W for white or SW for soft white (consult the optional colours chart or contact your Stelpro representative for all other colours).
Add FF for front air outlet (available only in 600 W and 800 W densities per linear foot).
Models also available in 277 V and 480 V. --- not available

ACCESSORIES

PRODUCT	DESCRIPTION	PRICE
CW1000T12*	built-in tamper-proof single pole thermostat	144.00
CW1000T22*	built-in tamper-proof double pole thermostat	240.00
CW1000RE153*	built-in electronic low voltage relay [15 A @ 120 V-347 V]	82.50
CW1000RE156*	built-in electronic low voltage relay [6 A @ 600 V]	128.00
CW1000RE153T*	built-in electronic low voltage relay c/w transformer 24 V [15 A @ 208 V-347 V]	100.00
CW1000RM240T*	built-in electromechanical relay c/w transfor- mer 24 V [6000 W @ 240 V and 5200 W @ 208 V]	103.00
CW1000RM347T*	built-in electromechanical relay c/w transfor- mer 24 V [6000 W @ 347 V]	114.00
CW1000RM347C*	built-in electromechanical relay w/o transfor- mer 24 V [6000 W @ 120 V-347 V]	86.50
CW1000R841C1151*	built-in electromechanical relay c/w transfor- mer 24 V [6000 W @ 600 V]	177.00
CW1000R841D1036*	built-in electromechanical relay w/o transfor- mer 24 V [6000 W @ 600 V]	151.00
PK3*	pedestal kit (kit of two)	128.00
CW1000JS*	joiner strip (2 in. - 51 mm)	192.00
CW1000IC90*	inside corner (back measures 9 13/16 in. - 249 mm long on each side)	891.00
CW1000OC90*	outside corner (back measures 9 13/16 in. - 249 mm long on each side)	891.00
CW1000TB*	four-piece trim frame	172.00
CW1000CB**	clean back (fully finished, no mounting holes or knockouts)	207.00

Electronic relays can receive a PWM (pulsed width modulation) or digital (on/off) signal.
* Add W for white or SW for soft white.
* Factory installed * Factory installation is strongly recommended.

TECHNICAL DRAWINGS

