

CWS750

SLOPED ARCHITECTURAL CABINET



A PERFECT SLOPED TOP CABINET FOR LARGE SPACES

With an incredible 750 W per linear foot power capacity, the CWS750 architectural cabinet is the perfect unit for public institutions or any other commercial application that requires a high heat output. Its high performance and durability (extruded aluminum grille) have earned it an outstanding reputation. Its sloped top makes it less likely it will be sat on, stepped on or used as a shelf.

SLOPED TOP

MAKING IT LESS LIKELY TO BE SAT ON OR USED AS A SHELF

INCREDIBLE HEAT DENSITY

UP TO 750 W PER LINEAR FOOT

ATTRACTIVE EXTRUDED ALUMINUM GRILLE

PERFECT FOR PUBLIC PLACES
CORRIDORS, HOSPITALS, ETC.

BLANK SECTIONS AVAILABLE
FOR A CONTINUOUS LOOK



This unit is intended for commercial use. Models with a density greater than 450 W/ft. can become very hot.

IDEAL FOR:

shopping mall, hospital, lobby, corridor

COLOURS

- **standard:** white, soft white
- **Orora (optional):** refer to www.stelpro.com/en-CA/Orora

FINISH

- epoxy-polyester powdercoat

MANUFACTURING

- 18-gauge steel cabinet, 16-gauge steel front panel and extruded aluminum grilles with a thickness equivalent to 13 gauge
- front air intake and top air discharge
- thermal protection with automatic reset
- full-length wireway

ELEMENTS

- three tubular elements, stainless steel sheathed with boxed aluminum fins for improved heat dissipation; the elements are securely fastened at their centres, floating in nylon sleeves at each end, eliminating expansion and contraction noises

CONTROL

- wall thermostat (not included) – the use of an electronic thermostat is strongly recommended
- built-in tamper-proof thermostat accessible without removing front grille, installed in the left or right junction box (optional)
- low voltage relay kit installed in the left or right junction box (optional)

INSTALLATION

- surface mounted
- wall or floor mounted with or without pedestal kit (optional)
- wiring compartments at both ends of unit
- blank sections (custom lengths) and accessories are available for a continuous look (optional)

WARRANTY

- three years

°STELPRO

Stelpro reserves the right to modify descriptions, manufacturing specifications or prices without prior notice. No returns accepted on optional-colour products. For all the latest models and prices, please refer to our website at www.stelpro.com.

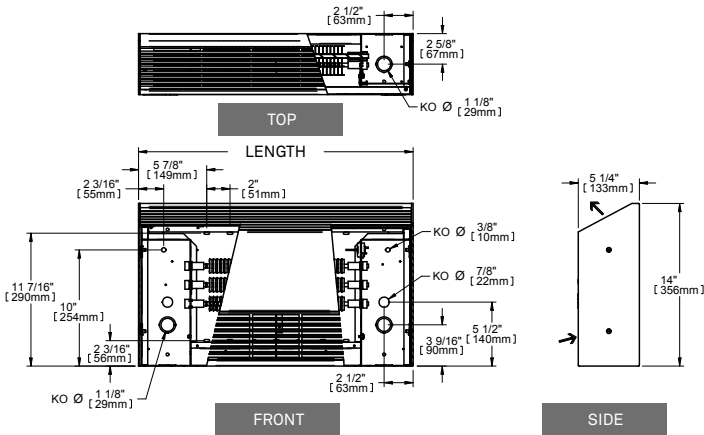


TECHNICAL SPECIFICATIONS

DENSITY OF 750 W PER LINEAR FOOT		DENSITY OF 600 W PER LINEAR FOOT		DENSITY OF 450 W PER LINEAR FOOT		VOLTAGE	LENGTH		WEIGHT		PRICE
CODE	WATTS	CODE	WATTS	CODE	WATTS	VOLTS	MM	IN.	KG	LB	
---	1500	CWS7506128*	1200	CWS7506098*	900	208	600	23 5/8	12.7	28	744.00
---	1500	CWS7506122	1200	CWS7506092	900	240	600	23 5/8	12.7	28	744.00
---	1500	CWS7506123	1200	CWS7506093	900	347	600	23 5/8	12.7	28	744.00
---	1500	CWS7506126	1200	CWS7506096	900	600	600	23 5/8	12.7	28	744.00
---	2250	CWS7509188*	1800	CWS7509138*	1350	208	900	35 7/16	17.7	39	836.00
---	2250	CWS7509182	1800	CWS7509132	1350	240	900	35 7/16	17.7	39	836.00
---	2250	CWS7509183	1800	CWS7509133	1350	347	900	35 7/16	17.7	39	836.00
---	2250	CWS7509186*	1800	CWS7509136	1350	600	900	35 7/16	17.7	39	836.00
---	3000	CWS75012248*	2400	CWS75012188*	1800	208	1200	47 1/4	24	53	979.00
---	3000	CWS75012242	2400	CWS75012182	1800	240	1200	47 1/4	24	53	979.00
---	3000	CWS75012243	2400	CWS75012183	1800	347	1200	47 1/4	24	53	979.00
---	3000	CWS75012246*	2400	CWS75012186	1800	600	1200	47 1/4	24	53	979.00
CWS75015378*	3750	CWS75015308*	3000	CWS75015228*	2250	208	1500	59 1/16	29	64	1074.00
CWS75015372	3750	CWS75015302	3000	CWS75015222	2250	240	1500	59 1/16	29	64	1074.00
CWS75015373	3750	CWS75015303	3000	CWS75015223	2250	347	1500	59 1/16	29	64	1074.00
CWS75015376*	3750	CWS75015306*	3000	CWS75015226*	2250	600	1500	59 1/16	29	64	1074.00
CWS75018458*	4500	CWS75018368*	3600	CWS75018278*	2700	208	1800	70 7/8	33.6	74	1107.00
CWS75018452	4500	CWS75018362	3600	CWS75018272	2700	240	1800	70 7/8	33.6	74	1107.00
CWS75018453	4500	CWS75018363	3600	CWS75018273	2700	347	1800	70 7/8	33.6	74	1107.00
CWS75018456*	4500	CWS75018366*	3600	CWS75018276*	2700	600	1800	70 7/8	33.6	74	1107.00
CWS75021528*	5250	CWS75021428*	4200	CWS75021318*	3150	208	2100	82 11/16	38.6	85	1195.00
CWS75021522	5250	CWS75021422	4200	CWS75021312	3150	240	2100	82 11/16	38.6	85	1195.00
CWS75021523	5250	CWS75021423	4200	CWS75021313	3150	347	2100	82 11/16	38.6	85	1195.00
CWS75021526*	5250	CWS75021426*	4200	CWS75021316*	3150	600	2100	82 11/16	38.6	85	1195.00
CWS75024608*	6000	CWS75024488*	4800	CWS75024368*	3600	208	2400	94 1/2	43.5	96	1285.00
CWS75024602	6000	CWS75024482	4800	CWS75024362	3600	240	2400	94 1/2	43.5	96	1285.00
CWS75024603	6000	CWS75024483	4800	CWS75024363	3600	347	2400	94 1/2	43.5	96	1285.00
CWS75024606*	6000	CWS75024486*	4800	CWS75024366*	3600	600	2400	94 1/2	43.5	96	1285.00

Add W for white or SW for soft white (consult the optional colours chart or contact your Stelpro representative for all other colours).
 * Add 3 (before the colour code) for three-phase model (available upon request).
 Models also available in 277 V and 480 V. --- not available

TECHNICAL DRAWINGS



ACCESSORIES

PRODUCT	DESCRIPTION	PRICE
CWS750T12*	built-in tamper-proof single pole thermostat	144.00
CWS750T22*	built-in tamper-proof double pole thermostat	240.00
CWS750T33*	built-in tamper-proof triple pole thermostat (3 ph)	302.00
CWS750RE153*	built-in electronic low voltage relay [15 A @ 120 V-347 V]	82.50
CWS750RE156*	built-in electronic low voltage relay [6 A @ 600 V]	128.00
CWS750RE153T*	built-in electronic relay c/w transformer 24 V [15 A @ 208 V-347 V]	100.00
CWS750RM240T*	built-in electromechanical relay c/w transformer 24 V [5000 W @ 208 V / 6000 W @ 240 V]	103.00
CWS750RM347T*	built-in electromechanical relay c/w transformer 24 V [6000 W @ 347 V]	114.00
CWS750RM347C*	built-in electromechanical relay w/o transformer 24 V [6000 W @ 120 V-347 V]	86.50
CWS750R841C1151*	built-in electromechanical relay c/w transformer 24 V [6000 W @ 600 V]	165.00
CWS750R841D1036*	built-in electromechanical low voltage relay w/o transformer 24 V [6000 W @ 600 V]	146.00
PK3*	pedestal kit (kit of two)	128.00
CWS750JS*	joiner strip (2 in. - 51 mm)	154.00
CWS750IC90*	inside corner (back measures 9 13/16 in. (249 mm) long on each side)	712.00
CWS750OC90*	outside corner (back measures 9 13/16 in. (249 mm) long on each side)	712.00
CWS750CB**	clean back (fully finished, no mounting holes or knockouts)	166.00

Electronic relays can receive a PWM (pulsed width modulation) or digital (on/off) signal.
 * Add W for white or SW for soft white.
 * Factory installed * Factory installation is strongly recommended.

CWS1000

SLOPED ARCHITECTURAL CABINET



A POWERFUL SLOPED-TOP CABINET CONVECTOR

The CWS1000 is a great option for heating large areas requiring a higher than normal heat-loss recovery. It has a high power density of 1000 W per linear foot. Its sloped top adds dimension to an already dynamic design and makes it less likely it will be sat on, stepped on or used as a shelf. A powerful performer, the CWS1000 heats by natural convection, so you don't have to worry about noise.

INCREDIBLE HEAT DENSITY

UP TO 1000 W PER LINEAR FOOT

ATTRACTIVE EXTRUDED ALUMINUM GRILLE

SLOPED TOP

MAKING IT LESS LIKELY TO BE SAT ON OR USED AS A SHELF

PERFECT FOR PUBLIC PLACES

MUNICIPAL BUILDINGS, LOBBIES, ETC.

BLANK SECTIONS AVAILABLE

FOR A CONTINUOUS LOOK



This unit is intended for commercial use. Models with a density greater than 600 W/ft. can become very hot.

IDEAL FOR:

shopping mall, hospital, lobby, corridor

COLOURS

- **standard:** white, soft white
- **Orora (optional):** refer to www.stelpro.com/en-CA/Orora

FINISH

- epoxy-polyester powdercoat

MANUFACTURING

- 18-gauge steel cabinet, 16-gauge steel front panel and extruded aluminum grilles with a thickness equivalent to 13 gauge
- front air intake and top air discharge
- thermal protection with automatic reset
- full-length wireway

ELEMENTS

- four tubular elements, stainless steel sheathed with boxed aluminum fins for improved heat dissipation; the elements are securely fastened at their centres, floating in nylon sleeves at each end, eliminating expansion and contraction noises

CONTROL

- wall thermostat (not included) – the use of an electronic thermostat is strongly recommended
- built-in tamper-proof thermostat accessible without removing front grille, installed in the left or right junction box (optional)
- low voltage relay kit installed in the left or right junction box (optional)

INSTALLATION

- surface mounted
- wall or floor mounted with or without pedestal kit (optional)
- wiring compartment at both ends of unit
- blank sections (custom lengths) and accessories are available for a continuous look (optional)

WARRANTY

- three years

°STELPRO

Stelpro reserves the right to modify descriptions, manufacturing specifications or prices without prior notice. No returns accepted on optional-colour products. For all the latest models and prices, please refer to our website at www.stelpro.com.



TECHNICAL SPECIFICATIONS

DENSITY OF 1000 W PER LINEAR FOOT		DENSITY OF 800 W PER LINEAR FOOT		DENSITY OF 600 W PER LINEAR FOOT		VOLTAGE	LENGTH		WEIGHT		PRICE
CODE	WATTS	CODE	WATTS	CODE	WATTS	VOLTS	MM	IN.	KG	LB	
---	2000	---	1600	CWS10006128	1200	208	600	23 5/8	15.9	35	910.00
---	2000	---	1600	CWS10006122	1200	240	600	23 5/8	15.9	35	910.00
---	2000	---	1600	CWS10006123	1200	347	600	23 5/8	15.9	35	910.00
---	2000	---	1600	CWS10006126	1200	600	600	23 5/8	15.9	35	910.00
CWS10009308	3000	CWS10009248	2400	CWS10009188	1800	208	900	35 7/16	24	53	1030.00
CWS10009302	3000	CWS10009242	2400	CWS10009182	1800	240	900	35 7/16	24	53	1030.00
CWS10009303	3000	CWS10009243	2400	CWS10009183	1800	347	900	35 7/16	24	53	1030.00
CWS10009306	3000	CWS10009246	2400	CWS10009186	1800	600	900	35 7/16	24	53	1030.00
CWS100012408	4000	CWS100012328	3200	CWS100012248	2400	208	1200	47 1/4	31.3	69	1150.00
CWS100012402	4000	CWS100012322	3200	CWS100012242	2400	240	1200	47 1/4	31.3	69	1150.00
CWS100012403	4000	CWS100012323	3200	CWS100012243	2400	347	1200	47 1/4	31.3	69	1150.00
CWS100012406	4000	CWS100012326	3200	CWS100012246	2400	600	1200	47 1/4	31.3	69	1150.00
CWS100015508	5000	CWS100015408	4000	CWS100015308	3000	208	1500	59 1/16	38.1	84	1271.00
CWS100015502	5000	CWS100015402	4000	CWS100015302	3000	240	1500	59 1/16	38.1	84	1271.00
CWS100015503	5000	CWS100015403	4000	CWS100015303	3000	347	1500	59 1/16	38.1	84	1271.00
CWS100015506	5000	CWS100015406	4000	CWS100015306	3000	600	1500	59 1/16	38.1	84	1271.00
CWS100018608	6000	CWS100018488	4800	CWS100018368	3600	208	1800	70 7/8	44.5	98	1391.00
CWS100018602	6000	CWS100018482	4800	CWS100018362	3600	240	1800	70 7/8	44.5	98	1391.00
CWS100018603	6000	CWS100018483	4800	CWS100018363	3600	347	1800	70 7/8	44.5	98	1391.00
CWS100018606	6000	CWS100018486	4800	CWS100018366	3600	600	1800	70 7/8	44.5	98	1391.00

Add W for white or SW for soft white (consult the optional colours chart or contact your Stelpro representative for all other colours).
Models also available in 277 V and 480 V. --- not available

ACCESSORIES

PRODUCT	DESCRIPTION	PRICE
CWS1000T12*	built-in tamper-proof single pole thermostat	144.00
CWS1000T22*	built-in tamper-proof double pole thermostat	240.00
CWS1000RE153*	built-in electronic low voltage relay [15 A @ 120 V-347 V]	82.50
CWS1000RE156*	built-in electronic low voltage relay [6 A @ 600 V]	128.00
CWS1000RE153T*	built-in electronic relay c/w transformer 24 V [15 A @ 208 V-347 V]	100.00
CWS1000RM240T*	built-in electromechanical relay c/w transformer 24 V [6000 W @ 240 V and 5200 W @ 208 V]	103.00
CWS1000RM347T*	built-in electromechanical relay c/w transformer 24 V [6000 W @ 347 V]	114.00
CWS1000RM347C*	built-in electromechanical relay w/o transformer 24 V [6000 W @ 120 V-347 V]	86.50
CWS1000R841C1151*	built-in electromechanical relay c/w transformer 24 V [6000 W @ 600 V]	177.00
CWS1000R841D1036*	built-in electromechanical relay w/o transformer 24 V [6000 W @ 600 V]	151.00
PK3*	pedestal kit (kit of two)	128.00
CWS1000JS*	joiner strip (2 in. - 51 mm)	192.00
CWS1000IC90*	inside corner (back measures 9 13/16 in. (249 mm) long on each side)	891.00
CWS1000OC90*	outside corner (back measures 9 13/16 in. (249 mm) long on each side)	891.00
CWS1000CB**	clean back (fully finished, no mounting holes or knockouts)	207.00

Electronic relays can receive a PWM (pulsed width modulation) or digital (on/off) signal.
* Add W for white or SW for soft white.
* Factory installed * Factory installation is strongly recommended.

TECHNICAL DRAWINGS

