

DR | DRAGON™

CEILING FAN HEATER



THE AUTHENTIC DRAGON!

The hallmark of the Dragon is that it recycles residual warm air that has accumulated at the ceiling, mixing it with the cooler air below. The result? Uniform air temperature and energy savings. The Dragon offers an output of 2000 W to 10000 W, depending on the model, and offers voltages ranging from 208 V to 600 V. This unit can be ceiling surface mounted or ceiling recessed, suspended at a minimum of 8 feet from the floor. The Dragon is well suited for building entryways, stairwells, warehouses, garages, workshops and hallways. Nothing beats the power of the Dragon!

FAST TEMPERATURE RISE VIA HEAT RECOVERY

CHOICE OF 2000 W TO 10000 W

STATE-OF-THE ART EFFICIENCY NICHROME ELEMENT

SURFACE MOUNTED OR RECESSED INSTALLATION

OPTIONAL OFS MODEL TO CONTROL FAN-ONLY MODE WITH WALL SWITCH

IDEAL FOR:

building entryway, warehouse, stairwell, garage, workshop

COLOURS

- **standard:** white, soft white
- **Orora (optional):** refer to www.stelpro.com/en-CA/Orora

FINISH

- epoxy-polyester powdercoat

MANUFACTURING

- 20-gauge steel cabinet and 14-gauge steel grille
- quiet helicoidal fan
- thermal protection with automatic reset
- totally enclosed, permanently lubricated motor

ELEMENT

- nichrome element produces instant heat

CONTROL

- wall thermostat (not included) – the use of an electronic thermostat is strongly recommended (up to 4000 W)
- fan-only mode for continuous air circulation, controlled by built-in selection switch

- fan-only mode available for use with wall mounted switch (optional OFS model, wall switch not provided)
- heating mode, confirmed by pilot light when heating is on
- connection of multiple units to the same thermostat is possible with a relay kit without a transformer (optional) and an external transformer (not provided)

INSTALLATION

- ceiling recessed in a T-bar (DRR model)
- ceiling surface mounted with bracket to support unit during wiring (DRI and DRII models) (included)
- install at a minimum distance from adjacent or surrounding walls: 12 in. (DRR or DRI models); 24 in. (DRII models)
- mounting heights: 8 ft. (2 kW or 3 kW units); 10 ft. (4 kW or 5 kW units); 12 ft. (7.5 kW or 10 kW units)

WARRANTY

- three years

°STELPRO

Stelpro reserves the right to modify descriptions, manufacturing specifications or prices without prior notice. No returns accepted on optional-colour products. For all the latest models and prices, please refer to our website at www.stelpro.com.



TECHNICAL SPECIFICATIONS

DRI AND DRII MODELS (SURFACE MOUNTED INSTALLATION)

WITHOUT CONTROL		BUILT-IN THERMOSTAT		240 V CONTROL		24 V CONTROL		POWER	VOLTAGE	FLOW	WEIGHT	
CODE	PRICE	CODE	PRICE	CODE	PRICE	CODE	PRICE	WATTS	VOLTS	CFM	KG	LB
DRI0281	482.00	DRI0281T	550.00	---	---	DRI0281C24	605.00	2000	208	250	7.2	16
DRI0221	463.00	DRI0221T	550.00	---	---	DRI0221C24	605.00	2000	240	250	7.2	16
DRI0381	502.00	DRI0381T	571.00	---	---	DRI0381C24	624.00	3000	208	250	7.2	16
DRI0321	468.00	DRI0321T	571.00	---	---	DRI0321C24	624.00	3000	240	250	7.2	16
DRI0481	521.00	DRI0481T	590.00	---	---	DRI0481C24	645.00	4000	208	450	7.2	16
DRI0421	487.00	DRI0421T	590.00	---	---	DRI0421C24	645.00	4000	240	450	7.2	16
---	---	DRI0581T	598.00	---	---	DRI0581C24	651.00	5000	208	450	7.2	16
DRI0521	493.00	DRI0521T	598.00	---	---	DRI0521C24	651.00	5000	240	450	7.2	16
---	---	DRII0281T	700.00	DRII0281C	715.00	DRII0281C24	755.00	2000	208	450	20.4	45
---	---	DRII0283CT*	965.00	DRII0283C*	911.00	DRII0283C24*	952.00	2000	208	450	20.4	45
---	---	DRII0221T	700.00	DRII0221C	715.00	DRII0221C24	755.00	2000	240	450	20.4	45
---	---	DRII0231CT	965.00	DRII0231C	911.00	DRII0231C24	952.00	2000	347	450	20.4	45
---	---	DRII0261CT	965.00	DRII0261C	911.00	DRII0261C24	952.00	2000	600	450	20.4	45
---	---	DRII0263CT*	965.00	DRII0263C*	911.00	DRII0263C24*	952.00	2000	600	450	20.4	45
---	---	DRII0381T	704.00	DRII0381C	720.00	DRII0381C24	759.00	3000	208	450	20.4	45
---	---	DRII0383CT*	965.00	DRII0383C*	914.00	DRII0383C24*	954.00	3000	208	450	20.4	45
---	---	DRII0321T	704.00	DRII0321C	720.00	DRII0321C24	759.00	3000	240	450	20.4	45
---	---	DRII0331CT	965.00	DRII0331C	914.00	DRII0331C24	954.00	3000	347	450	20.4	45
---	---	DRII0361CT	965.00	DRII0361C	914.00	DRII0361C24	954.00	3000	600	450	20.4	45
---	---	DRII0363CT*	965.00	DRII0363C*	914.00	DRII0363C24*	954.00	3000	600	450	20.4	45
---	---	DRII0481T	714.00	DRII0481C	729.00	DRII0481C24	769.00	4000	208	450	20.4	45
---	---	DRII0483CT*	977.00	DRII0483C*	924.00	DRII0483C24*	963.00	4000	208	450	20.4	45
---	---	DRII0421T	714.00	DRII0421C	729.00	DRII0421C24	769.00	4000	240	450	20.4	45
---	---	DRII0431CT	977.00	DRII0431C	924.00	DRII0431C24	963.00	4000	347	450	20.4	45
---	---	DRII0461CT	977.00	DRII0461C	924.00	DRII0461C24	963.00	4000	600	450	20.4	45
---	---	DRII0463CT*	977.00	DRII0463C*	924.00	DRII0463C24*	963.00	4000	600	450	20.4	45
---	---	DRII0581T	722.00	DRII0581C	735.00	DRII0581C24	774.00	5000	208	450	20.4	45
---	---	DRII0583CT*	981.00	DRII0583C*	927.00	DRII0583C24*	968.00	5000	208	450	20.4	45
---	---	DRII0521T	722.00	DRII0521C	735.00	DRII0521C24	774.00	5000	240	450	20.4	45
---	---	DRII0531CT	981.00	DRII0531C	927.00	DRII0531C24	968.00	5000	347	450	20.4	45
---	---	DRII0561CT	981.00	DRII0561C	927.00	DRII0561C24	968.00	5000	600	450	20.4	45
---	---	DRII0563CT*	981.00	DRII0563C*	927.00	DRII0563C24*	968.00	5000	600	450	20.4	45
---	---	DRII0781CT	1425.00	DRII0781C	1372.00	DRII0781C24	1414.00	7500	208	700	20.4	45
---	---	DRII0783CT*	1425.00	DRII0783C*	1372.00	DRII0783C24*	1414.00	7500	208	700	20.4	45
---	---	DRII0721CT	1425.00	DRII0721C	1372.00	DRII0721C24	1414.00	7500	240	700	20.4	45
---	---	DRII0731CT	1425.00	DRII0731C	1372.00	DRII0731C24	1414.00	7500	347	700	20.4	45
---	---	DRII0761CT	1425.00	DRII0761C	1372.00	DRII0761C24	1414.00	7500	600	700	20.4	45
---	---	DRII0763CT*	1425.00	DRII0763C*	1372.00	DRII0763C24*	1414.00	7500	600	700	20.4	45
---	---	DRII1081CT	1487.00	DRII1081C	1432.00	DRII1081C24	1472.00	10000	208	700	20.4	45
---	---	DRII1083CT*	1487.00	DRII1083C*	1432.00	DRII1083C24*	1472.00	10000	208	700	20.4	45
---	---	DRII1021CT	1487.00	DRII1021C	1432.00	DRII1021C24	1472.00	10000	240	700	20.4	45
---	---	DRII1031CT	1487.00	DRII1031C	1432.00	DRII1031C24	1472.00	10000	347	700	20.4	45
---	---	DRII1061CT	1487.00	DRII1061C	1432.00	DRII1061C24	1472.00	10000	600	700	20.4	45
---	---	DRII1063CT*	1487.00	DRII1063C*	1432.00	DRII1063C24*	1472.00	10000	600	700	20.4	45

Add W for white or SW for soft white (consult the optional colours chart or contact your Stelpro representative for all other colours).

Add OFS to control fan-only mode with a wall switch (not provided).

*Three-phase unit

Models also available in 277 V and 480 V.

--- not available

TECHNICAL SPECIFICATIONS

DRR MODELS (RECESSED INSTALLATION)

WITHOUT CONTROL		BUILT-IN THERMOSTAT		240 V CONTROL		24 V CONTROL		POWER	VOLTAGE	FLOW	WEIGHT	
CODE	PRICE	CODE	PRICE	CODE	PRICE	CODE	PRICE	WATTS	VOLTS	CFM	KG	LB
DRR0281	808.00	DRR0281T	861.00	DRR0281C	874.00	DRR0281C24	914.00	2000	208	250	13.6	30
---	---	DRR0283CT*	1112.00	DRR0283C*	1061.00	DRR0283C24*	1101.00	2000	208	250	13.6	30
DRR0221	808.00	DRR0221T	861.00	DRR0221C	874.00	DRR0221C24	914.00	2000	240	250	13.6	30
---	---	DRR0231CT	1112.00	DRR0231C	1061.00	DRR0231C24	1101.00	2000	347	250	13.6	30
---	---	DRR0261CT	1112.00	DRR0261C	1061.00	DRR0261C24	1101.00	2000	600	250	13.6	30
---	---	DRR0263CT*	1112.00	DRR0263C*	1061.00	DRR0263C24*	1101.00	2000	600	250	13.6	30
DRR0381	821.00	DRR0381T	874.00	DRR0381C	887.00	DRR0381C24	926.00	3000	208	250	14.7	32.5
---	---	DRR0383CT*	1128.00	DRR0383C*	1074.00	DRR0383C24*	1112.00	3000	208	250	14.7	32.5
DRR0321	821.00	DRR0321T	874.00	DRR0321C	887.00	DRR0321C24	926.00	3000	240	250	14.7	32.5
---	---	DRR0331CT	1128.00	DRR0331C	1074.00	DRR0331C24	1112.00	3000	347	250	14.7	32.5
---	---	DRR0361CT	1128.00	DRR0361C	1074.00	DRR0361C24	1112.00	3000	600	250	14.7	32.5
---	---	DRR0363CT*	1128.00	DRR0363C*	1074.00	DRR0363C24*	1112.00	3000	600	250	14.7	32.5
DRR0481	834.00	DRR0481T	887.00	DRR0481C	900.00	DRR0481C24	942.00	4000	208	450	14.7	32.5
---	---	DRR0483CT*	1139.00	DRR0483C*	1085.00	DRR0483C24*	1128.00	4000	208	450	14.7	32.5
DRR0421	834.00	DRR0421T	887.00	DRR0421C	900.00	DRR0421C24	942.00	4000	240	450	14.7	32.5
---	---	DRR0431CT	1139.00	DRR0431C	1085.00	DRR0431C24	1128.00	4000	347	450	14.7	32.5
---	---	DRR0461CT	1139.00	DRR0461C	1085.00	DRR0461C24	1128.00	4000	600	450	14.7	32.5
---	---	DRR0463CT*	1139.00	DRR0463C*	1085.00	DRR0463C24*	1128.00	4000	600	450	14.7	32.5
---	---	DRR0581T	900.00	DRR0581C	914.00	DRR0581C24	953.00	5000	208	450	15.4	34
---	---	DRR0583CT*	1153.00	DRR0583C*	1101.00	DRR0583C24*	1139.00	5000	208	450	15.4	34
DRR0521	846.00	DRR0521T	900.00	DRR0521C	914.00	DRR0521C24	953.00	5000	240	450	15.4	34
---	---	DRR0531CT	1153.00	DRR0531C	1101.00	DRR0531C24	1139.00	5000	347	450	15.4	34
---	---	DRR0561CT	1153.00	DRR0561C	1101.00	DRR0561C24	1139.00	5000	600	450	15.4	34
---	---	DRR0563CT*	1153.00	DRR0563C*	1101.00	DRR0563C24*	1139.00	5000	600	450	15.4	34

Add W for white or SW for soft white (consult the optional colours chart or contact your Stelpro representative for all other colours).
Add OFS to control fan-only mode with a wall switch (not provided).

*Three-phase unit

Models also available in 277 V and 480 V.

--- not available



DRR MODEL (RECESSED)

A REVOLUTIONARY METHOD OF HEATING, THAT ELIMINATES THE NEED FOR A TRADITIONAL CEILING FAN. The Dragon recuperates the warm air that would otherwise accumulate at the ceiling and recirculates it throughout the room.



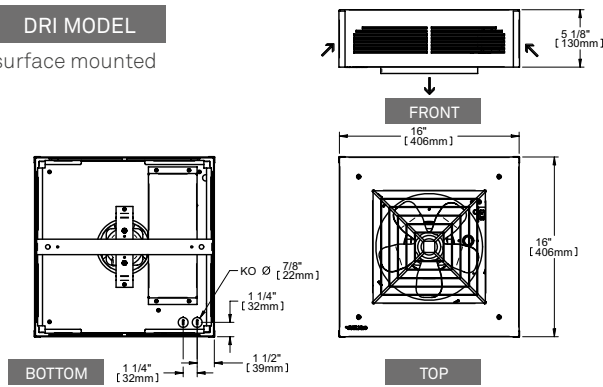
DRRII MODEL (SURFACE MOUNTED)

(PREVIOUS PAGE)

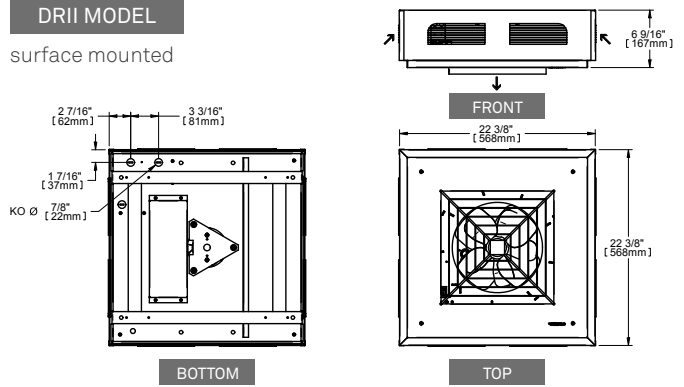
A UNIQUE SOURCE OF HEAT THAT OFFERS PERFORMANCE, STYLE, COMFORT AND ECONOMY! Ideal for garages, commercial entrances, factories and warehouses

TECHNICAL DRAWINGS

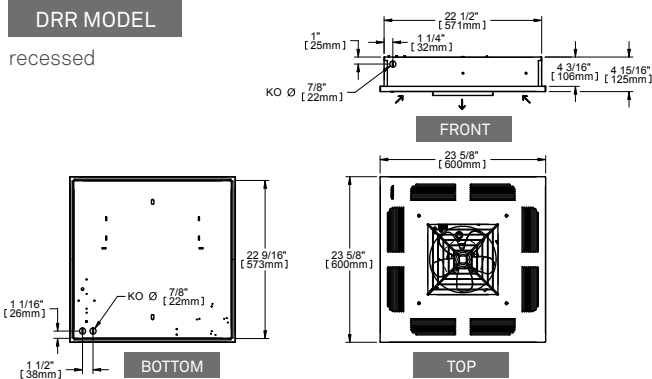
DRI MODEL surface mounted



DRII MODEL surface mounted



DRR MODEL recessed



ACCESSORIES

PRODUCT	DESCRIPTION	PRICE
DRT1	built-in tamper-proof single pole thermostat (DRR, DRI or DRII models)	54.25
DRITBA1*	T-bar adapter (DRI models)	110.00
DRIITBA1*	T-bar adapter (DRII models)	115.00
DRC24RX*	relay kit without transformer 24 V (DRII or DRR models)	136.00
DRIC24RX*	relay kit without transformer 24 V (DRI models)	136.00

* Add W for white or SW for soft white.

* Factory installed

THROW DISTANCE AND HEAT RISE

MODEL	UNITS	THROW DISTANCE		HEAT RISE	
	KW	M	FT	°C	°F
DRI	2	7	23	22	40
DRI	3	7	23	25	45
DRI	4	7	23	33	60
DRI	5	7	23	40	72
DRII	2	7	23	21	38
DRII	3	7	23	31	56
DRII	4	7	23	41	74
DRII	5	7	23	44	79
DRII	7.5	9.1	30	42	76
DRII	10	9.1	30	59	106
DRR	2	7	23	16	29
DRR	3	7	23	18	32
DRR	4	7	23	30	53
DRR	5	7	23	38	68