

# FI

## FLOOR INSERT CONVECTOR



### A CONVECTOR LIKE NO OTHER!

Just as its name indicates, the FI floor insert convector can be recessed into the floor and dissipates heat quietly by means of natural convection, without any fan noise. It can be installed into different types of floors, including wood and concrete, freeing up precious wall and window space. An great alternative to conventional baseboards, this versatile floor heater acts as a draft barrier, and can be recessed in front of large windows and sliding doors or serve as perimeter heating in a continuous, end-to-end fashion.

#### SILENT OPERATION

#### FLOOR DROP-IN UNIT

#### ATTRACTIVE AND ROBUST

9-GAUGE EXTRUDED ALUMINUM GRILLE WITH BORDER

#### TURNKEY PROJECTS AVAILABLE

FOR PERIPHERIC HEATING WITH BLANK SECTIONS AND OPTIONAL ADAPTABLE GRILLE(S)

#### COLOURS

- **standard:** white, soft white
- **Orora (optional):** refer to [www.stelpro.com/en-CA/Orora](http://www.stelpro.com/en-CA/Orora)

#### FINISH

- epoxy-polyester powdercoat

#### MANUFACTURING

- 18-gauge galvanized steel cabinet and 9-gauge extruded aluminum grille
- thermal protection with manual reset
- protective wire mesh to prevent foreign objects from entering the interior of the unit

#### ELEMENT

- single tubular, stainless steel sheathed element with boxed aluminum fins for improved heat dissipation; the element is securely fastened at its centre, floating in nylon sleeves at each end, eliminating expansion and contraction noises

#### CONTROL

- wall thermostat (not included) – the use of an electronic thermostat is strongly recommended
- low voltage relay kit installed in the left or right junction box (optional)

#### INSTALLATION

- floor recessed
- parallel to floor joist

#### WARRANTY

- three years

#### IDEAL FOR:

office, school, hospital, commercial space, solarium

# °STELPRO

Stelpro reserves the right to modify descriptions, manufacturing specifications or prices without prior notice. No returns accepted on optional-colour products. For all the latest models and prices, please refer to our website at [www.stelpro.com](http://www.stelpro.com).



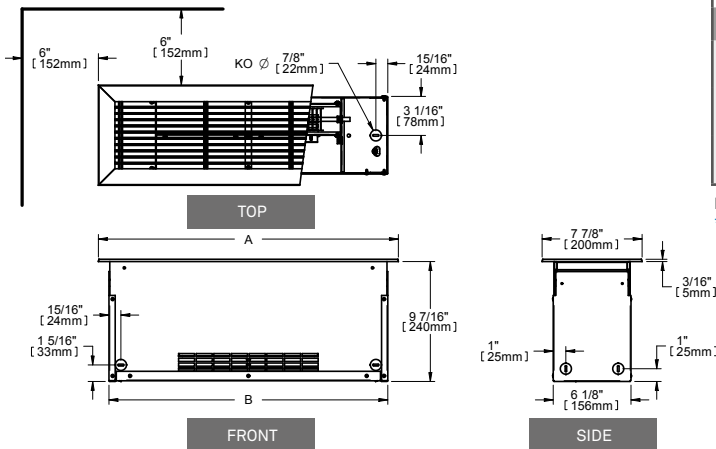
FC\_FL\_EN\_270420

# TECHNICAL SPECIFICATIONS

DENSITY OF 250 W PER LINEAR FOOT		DENSITY OF 200 W PER LINEAR FOOT		DENSITY OF 150 W PER LINEAR FOOT		VOLTAGE	LENGTH A		LENGTH B		WEIGHT	PRICE	
CODE	WATTS	CODE	WATTS	CODE	WATTS	VOLTS	MM	IN.	MM	IN.	KG	LB	
FI6051	500	FI6041	400	FI6031	300	120	600	23 5/8	561	22 1/16	6.4	14	745.00
FI6058	500	FI6048	400	FI6038	300	208	600	23 5/8	561	22 1/16	6.4	14	745.00
FI6052	500	FI6042	400	FI6032	300	240	600	23 5/8	561	22 1/16	6.4	14	745.00
FI6053	500	---	400	---	300	347	600	23 5/8	561	22 1/16	6.4	14	745.00
---	500	---	400	---	300	600	600	23 5/8	561	22 1/16	6.4	14	---
FI9071	750	FI9061	600	FI9041	450	120	900	35 7/16	861	33 7/8	10.0	22	849.00
FI9078	750	FI9068	600	FI9048	450	208	900	35 7/16	861	33 7/8	10.0	22	849.00
FI9072	750	FI9062	600	FI9042	450	240	900	35 7/16	861	33 7/8	10.0	22	849.00
FI9073	750	FI9063	600	FI9043	450	347	900	35 7/16	861	33 7/8	10.0	22	849.00
FI9076	750	---	600	---	450	600	900	35 7/16	861	33 7/8	10.0	22	849.00
FI12101	1000	FI12081	800	FI12061	600	120	1200	47 1/4	1161	45 11/16	13.6	30	956.00
FI12108	1000	FI12088	800	FI12068	600	208	1200	47 1/4	1161	45 11/16	13.6	30	956.00
FI12102	1000	FI12082	800	FI12062	600	240	1200	47 1/4	1161	45 11/16	13.6	30	956.00
FI12103	1000	FI12083	800	FI12063	600	347	1200	47 1/4	1161	45 11/16	13.6	30	956.00
FI12106	1000	FI12086	800	---	600	600	1200	47 1/4	1161	45 11/16	13.6	30	956.00
FI15121	1250	FI15101	1000	FI15071	750	120	1500	59 1/16	1461	57 1/2	16.9	37	1101.00
FI15128	1250	FI15108	1000	FI15078	750	208	1500	59 1/16	1461	57 1/2	16.9	37	1101.00
FI15122	1250	FI15102	1000	FI15072	750	240	1500	59 1/16	1461	57 1/2	16.9	37	1101.00
FI15123	1250	FI15103	1000	FI15073	750	347	1500	59 1/16	1461	57 1/2	16.9	37	1101.00
FI15126	1250	FI15106	1000	FI15076	750	600	1500	59 1/16	1461	57 1/2	16.9	37	1101.00
FI18151	1500	FI18121	1200	FI18091	900	120	1800	70 7/8	1757	69 3/16	20.0	44	1239.00
FI18158	1500	FI18128	1200	FI18098	900	208	1800	70 7/8	1757	69 3/16	20.0	44	1239.00
FI18152	1500	FI18122	1200	FI18092	900	240	1800	70 7/8	1757	69 3/16	20.0	44	1239.00
FI18153	1500	FI18123	1200	FI18093	900	347	1800	70 7/8	1757	69 3/16	20.0	44	1239.00
FI18156	1500	FI18126	1200	FI18096	900	600	1800	70 7/8	1757	69 3/16	20.0	44	1239.00
---	1750	FI21141	1400	FI21101	1050	120	2100	82 11/16	2061	81 1/8	23.7	52	1421.00
FI21178	1750	FI21148	1400	FI21108	1050	208	2100	82 11/16	2061	81 1/8	23.7	52	1421.00
FI21172	1750	FI21142	1400	FI21102	1050	240	2100	82 11/16	2061	81 1/8	23.7	52	1421.00
FI21173	1750	FI21143	1400	FI21103	1050	347	2100	82 11/16	2061	81 1/8	23.7	52	1421.00
FI21176	1750	FI21146	1400	FI21106	1050	600	2100	82 11/16	2061	81 1/8	23.7	52	1421.00
---	2000	---	1600	FI24121	1200	120	2400	94 1/2	2357	92 13/16	26.7	59	1603.00
FI24208	2000	FI24168	1600	FI24128	1200	208	2400	94 1/2	2357	92 13/16	26.7	59	1603.00
FI24202	2000	FI24162	1600	FI24122	1200	240	2400	94 1/2	2357	92 13/16	26.7	59	1603.00
FI24203	2000	FI24163	1600	FI24123	1200	347	2400	94 1/2	2357	92 13/16	26.7	59	1603.00
FI24206	2000	FI24166	1600	FI24126	1200	600	2400	94 1/2	2357	92 13/16	26.7	59	1603.00

Add W for white or SW for soft white (consult the optional colours chart or contact your Stelpro representative for all other colours).  
Models also available in 277 V and 480 V.  
--- not available

## TECHNICAL DRAWINGS



## ACCESSORIES

PRODUCT	DESCRIPTION	PRICE
FIRE153*	built-in electronic low voltage relay [15 A @ 120 V-347 V]	76.00
FIRE153T*	built-in electronic low voltage relay c/w transformer 24 V [15 A @ 208 V-347 V]	93.50
FIRE156*	built-in electronic low voltage relay [6 A @ 600 V]	119.00

Electronic relays can receive a PWM (pulsed width modulation) or digital (on/off) signal.  
\* Factory installed