

# FI

## FLOOR INSERT CONVECTOR



### A CONVECTOR LIKE NO OTHER!

Just as its name indicates, the FI floor insert convector can be recessed into the floor and dissipates heat quietly by means of natural convection, without any fan noise. It can be installed into different types of floors, including wood and concrete, freeing up precious wall and window space. An great alternative to conventional baseboards, this versatile floor heater acts as a draft barrier, and can be recessed in front of large windows and sliding doors or serve as perimeter heating in a continuous, end-to-end fashion.

#### SILENT OPERATION

#### FLOOR DROP-IN UNIT

#### ATTRACTIVE AND ROBUST

9-GAUGE EXTRUDED ALUMINUM GRILLE WITH BORDER

#### TURNKEY PROJECTS AVAILABLE

FOR PERIPHERIC HEATING WITH BLANK SECTIONS AND OPTIONAL ADAPTABLE GRILLE(S)

#### COLORS

- **standard:** white, soft white
- **Orora (optional):** refer to [www.stelpro.com/en-US/Orora](http://www.stelpro.com/en-US/Orora)

#### FINISH

- epoxy-polyester powdercoat

#### MANUFACTURING

- 18-gauge galvanized steel cabinet and 9-gauge extruded aluminum grille
- thermal protection with manual reset
- protective wire mesh to prevent foreign objects from entering the interior of the unit

#### ELEMENT

- single tubular, stainless steel sheathed element with boxed aluminum fins for improved heat dissipation; the element is securely fastened at its centre, floating in nylon sleeves at each end, eliminating expansion and contraction noises

#### CONTROL

- wall thermostat (not included) – the use of an electronic thermostat is strongly recommended
- low voltage relay kit installed in the left or right junction box (optional)

#### INSTALLATION

- floor recessed
- parallel to floor joist

#### WARRANTY

- three years

#### IDEAL FOR:

office, school, hospital, commercial space, solarium

# °STELPRO

Stelpro reserves the right to modify descriptions, manufacturing specifications or prices without prior notice. No returns accepted on optional-color products. For all the latest models and prices, please refer to our website at [www.stelpro.com](http://www.stelpro.com).



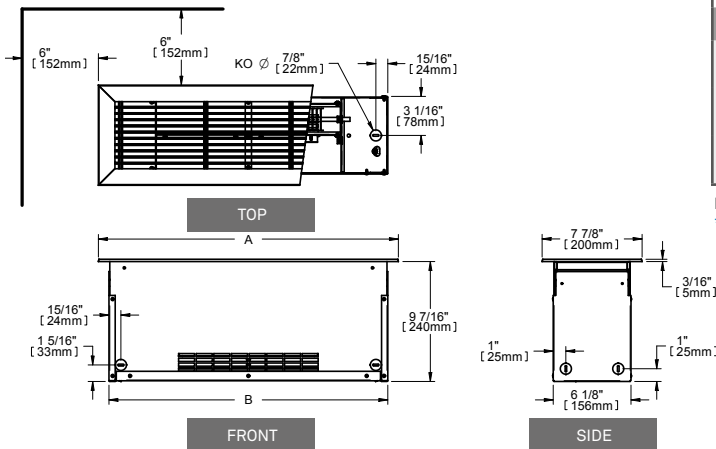
FC\_FL\_US\_270420

# TECHNICAL SPECIFICATIONS

STANDARD DENSITY 250 W PER LINEAR FOOT			MEDIUM DENSITY 200 W PER LINEAR FOOT			LOW DENSITY 150 W PER LINEAR FOOT			VOLTAGE	LENGTH A	LENGTH B	WEIGHT
CODE	WATTS	BTU/H	CODE	WATTS	BTU/H	CODE	WATTS	BTU/H	VOLTS	IN.	IN.	LB
FI6051	500	1706	FI6041	400	1365	FI6031	300	1024	120	23 5/8	22 1/16	14
FI6058	500	1706	FI6048	400	1365	FI6038	300	1024	208	23 5/8	22 1/16	14
FI6052	500	1706	FI6042	400	1365	FI6032	300	1024	240	23 5/8	22 1/16	14
FI6057	500	1706	---	400	1365	---	300	1024	277	23 5/8	22 1/16	14
FI9071	750	2560	FI9061	600	2048	FI9041	450	1536	120	35 7/16	33 7/8	22
FI9078	750	2560	FI9068	600	2048	FI9048	450	1536	208	35 7/16	33 7/8	22
FI9072	750	2560	FI9062	600	2048	FI9042	450	1536	240	35 7/16	33 7/8	22
FI9077	750	2560	FI9067	600	2048	FI9047	450	1536	277	35 7/16	33 7/8	22
FI9075	750	2560	---	600	2048	---	450	1536	480	35 7/16	33 7/8	22
FI12101	1000	3413	FI12081	800	2730	FI12061	600	2048	120	47 1/4	45 11/16	30
FI12108	1000	3413	FI12088	800	2730	FI12068	600	2048	208	47 1/4	45 11/16	30
FI12102	1000	3413	FI12082	800	2730	FI12062	600	2048	240	47 1/4	45 11/16	30
FI12107	1000	3413	FI12087	800	2730	FI12067	600	2048	277	47 1/4	45 11/16	30
FI12105	1000	3413	FI12085	800	2730	---	600	2048	480	47 1/4	45 11/16	30
FI15121	1250	4266	FI15101	1000	3413	FI15071	750	2560	120	59 1/16	57 1/2	37
FI15128	1250	4266	FI15108	1000	3413	FI15078	750	2560	208	59 1/16	57 1/2	37
FI15122	1250	4266	FI15102	1000	3413	FI15072	750	2560	240	59 1/16	57 1/2	37
FI15127	1250	4266	FI15107	1000	3413	FI15077	750	2560	277	59 1/16	57 1/2	37
FI15125	1250	4266	FI15105	1000	3413	FI15075	750	2560	480	59 1/16	57 1/2	37
FI18151	1500	5119	FI18121	1200	4095	FI18091	900	3071	120	70 7/8	69 3/16	44
FI18158	1500	5119	FI18128	1200	4095	FI18098	900	3071	208	70 7/8	69 3/16	44
FI18152	1500	5119	FI18122	1200	4095	FI18092	900	3071	240	70 7/8	69 3/16	44
FI18157	1500	5119	FI18127	1200	4095	FI18097	900	3071	277	70 7/8	69 3/16	44
FI18155	1500	5119	FI18125	1200	4095	FI18095	900	3071	480	70 7/8	69 3/16	44
---	1750	5972	FI21141	1400	4778	FI21101	1050	3583	120	82 11/16	81 1/8	52
FI21178	1750	5972	FI21148	1400	4778	FI21108	1050	3583	208	82 11/16	81 1/8	52
FI21172	1750	5972	FI21142	1400	4778	FI21102	1050	3583	240	82 11/16	81 1/8	52
FI21177	1750	5972	FI21147	1400	4778	FI21107	1050	3583	277	82 11/16	81 1/8	52
FI21175	1750	5972	FI21145	1400	4778	FI21105	1050	3583	480	82 11/16	81 1/8	52
---	2000	6825	---	1600	5460	FI24121	1200	4095	120	94 1/2	92 13/16	59
FI24208	2000	6825	FI24168	1600	5460	FI24128	1200	4095	208	94 1/2	92 13/16	59
FI24202	2000	6825	FI24162	1600	5460	FI24122	1200	4095	240	94 1/2	92 13/16	59
FI24207	2000	6825	FI24167	1600	5460	FI24127	1200	4095	277	94 1/2	92 13/16	59
FI24205	2000	6825	FI24165	1600	5460	FI24125	1200	4095	480	94 1/2	92 13/16	59

Add W for white or SW for soft white (consult the optional colors chart or contact your Stelpro representative for all other colors).  
 --- not available

## TECHNICAL DRAWINGS



## ACCESSORIES

PRODUCT	DESCRIPTION
<b>FIRE153*</b>	built-in electronic low voltage relay [15 A @ 120 V-347 V]
<b>FIRE153T*</b>	built-in electronic low voltage relay c/w transformer 24 V [15 A @ 208 V-347 V]
<b>FIRE156*</b>	built-in electronic low voltage relay [6 A @ 600 V]

Electronic relays can receive a PWM (pulsed width modulation) or digital (on/off) signal.  
 \* Factory installed