

MIR | MIRAGE™

CONVECTOR



MIRAGE™

THE MOST DISCREET ON THE MARKET!

The Mirage convector has a unique, modern and discreet look and offers unquestionable efficiency. Available with or without an ultra-precise integrated electronic thermostat and in several voltages, the Mirage is suitable for rooms in homes or businesses. With its simple facade and elegant design, the Mirage blends in with any decor.

BLENDS IN WITH ANY DECOR

STURDY ONE-PIECE FRONT PANEL

TOTALLY QUIET

BUILT-IN ELECTRONIC THERMOSTAT (OPTIONAL) WITH BACKLIT SCREEN

ADAPTS TO MULTIPLE MARKETS AVAILABLE IN 120 V, 208 V, 240 V, 347 V AND 600 V



ALSO AVAILABLE
QUICK PLUG-IN INTO
RESIDENTIAL 120 V OUTLET

IDEAL FOR:

kitchen, living room, bedroom, basement,
commercial space, office

COLOURS

- **standard:** white, soft white
- **luxury finish:** stainless steel (see price list)
- **Orora (optional):** refer to www.stelpro.com/en-CA/Orora

FINISH

- epoxy-polyester powdercoat or stainless steel

MANUFACTURING

- 20-gauge steel cabinet and front
- the cabinet height improves the chimney effect
- bottom air intake and top air discharge
- 6 ft (2 m) 16 gage molded cable with 3-prong grounded, 120 V plug (MIR1501P model)

ELEMENTS

- two stainless steel tubular sheathed elements insulated with nylon sleeves reducing expansion and contraction noises

CONTROL

- electronic thermostat required: built-in electronic thermostat with LCD screen (optional) or electronic wall thermostat (not included)
- automatic temperature lowering at night (Automatic mode)
- maximum temperature setpoint lock option (Security mode)

INSTALLATION

- surface mounted only
- wall mounted at least 4 in. from the floor
- concealed mounting bracket (included)
- back entry plate with cable clamps (included)

WARRANTY

- five years, *three years on electronic components

°STELPRO

Stelpro reserves the right to modify descriptions, manufacturing specifications or prices without prior notice. No returns accepted on optional-colour products. For all the latest models and prices, please refer to our website at www.stelpro.com.



TECHNICAL SPECIFICATIONS

BUILT-IN THERMOSTAT	PRICE		WITHOUT THERMOSTAT	PRICE		POWER	VOLTAGE	HEIGHT		LENGTH		WEIGHT	
	CODE	W OR SW		SS	CODE			W OR SW	SS	WATTS	VOLTS	MM	IN.
MIR0501	236.00	343.00	MIR0501WC	197.00	304.00	500	120	457	18	444	17 1/2	5.3	11.75
MIR0508	236.00	343.00	MIR0508WC	197.00	304.00	500	208	457	18	444	17 1/2	5.3	11.75
MIR0502	205.00	312.00	MIR0502WC	166.00	273.00	500/375	240/208	457	18	444	17 1/2	5.3	11.75
---	---	---	MIR0503WC	248.00	355.00	500	347	457	18	444	17 1/2	5.3	11.75
MIR1001	249.00	356.00	MIR1001WC	209.00	316.00	1000	120	457	18	597	23 1/2	6.7	14.75
MIR1008	250.00	357.00	MIR1008WC	210.00	317.00	1000	208	457	18	597	23 1/2	6.7	14.75
MIR1002	219.00	326.00	MIR1002WC	179.00	286.00	1000/750	240/208	457	18	597	23 1/2	6.7	14.75
---	---	---	MIR1003WC	261.00	368.00	1000	347	457	18	597	23 1/2	6.7	14.75
---	---	---	MIR1006WC	261.00	368.00	1000	600	457	18	597	23 1/2	6.7	14.75
MIR1501	260.00	367.00	MIR1501WC	220.00	327.00	1500	120	457	18	749	29 1/2	8	17.75
MIR1508	261.00	368.00	MIR1508WC	221.00	328.00	1500	208	457	18	749	29 1/2	8	17.75
MIR1502	229.00	336.00	MIR1502WC	189.00	296.00	1500/1125	240/208	457	18	749	29 1/2	8	17.75
---	---	---	MIR1503WC	272.00	379.00	1500	347	457	18	749	29 1/2	8	17.75
---	---	---	MIR1506WC	272.00	379.00	1500	600	457	18	749	29 1/2	8	17.75
MIR2008	273.00	380.00	MIR2008WC	232.00	339.00	2000	208	457	18	902	35 1/2	9.4	20.75
MIR2002	242.00	349.00	MIR2002WC	200.00	307.00	2000/1500	240/208	457	18	902	35 1/2	9.4	20.75
---	---	---	MIR2003WC	283.00	390.00	2000	347	457	18	902	35 1/2	9.4	20.75
---	---	---	MIR2006WC	283.00	390.00	2000	600	457	18	902	35 1/2	9.4	20.75
MODEL WITH 120 V PLUG (RESIDENTIAL OUTLET)													
MIR1501P*	277.00	---	---	---	---	1500	120	457	18	749	29 1/2	8	17.75

Add W for white, SW for soft white or SS for stainless steel (or consult the optional colour chart and contact your Stelpro representative for all other colours). Mechanical wall thermostats are not compatible with the without thermostat model (WC). An electronic thermostat is required. Models also available in 277 V and 480 V.

* Available in white only
 --- not available

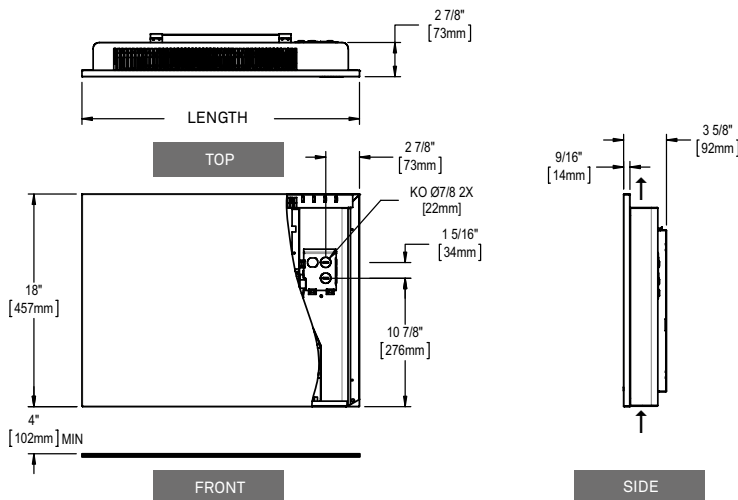
ACCESSORIES

PRODUCT	DESCRIPTION	PRICE
MIRRE153*	built-in electronic low voltage relay [15 A @ 120 V-347 V]	60.50
MIRRE156*	built-in electronic low voltage relay [6 A @ 600 V]	98.00
MIRRE153T*	built-in electronic low voltage relay c/w transformer 24 V [15 A @ 208 V-347 V]	76.00

Electronic relays can receive a PWM (pulsed width modulation) or digital (on/off) signal.

* Factory installed

TECHNICAL DRAWINGS



BUILT-IN ELECTRONIC THERMOSTAT AVAILABLE FOR THE 120 V TO 240 V MODELS