

SFH | OXFORD™

AGRICULTURAL UNIT HEATER



OXFORD™
SERIES | SÉRIE



THE PREMIER CHOICE FOR AGRICULTURE

The SFH is specially designed to meet the needs of agricultural buildings, such as henhouses, stables, barns and dairies. It's built to last thanks to its satin coat finish, resistant to humidity and corrosion. Moreover, the watertight control components are isolated in a NEMA 4X enclosure, which is also watertight. The SFH's low density element assures heating power without over-heating. In addition, its motor is sealed and lubricated for life, making it maintenance-free.

HUMIDITY AND CORROSION RESISTANT

NEMA 4X WATERTIGHT CONTROL ENCLOSURE AND BALL-BEARING MOTOR SEALED AND LUBRICATED FOR LIFE

EASY TO INSTALL

COMPACT AND 40% LIGHTER THAN THE COMPETITION

SAFE AND EFFICIENT HEATING

ENCLOSED LOW DENSITY ELEMENTS

EASY MAINTENANCE

HOSEDOWN UNIT

APPROVED

FOR USE IN CATEGORY 1 AND 2 LOCATIONS (CANADIAN ELECTRICAL CODE)

IDEAL FOR:

agricultural building, dairy, barn, cow shed, stable, henhouse, category 1 and 2 spaces (where hazardous vapors, liquid or excessive humidity are present – article 22-002 of the Canadian Electrical Code)

COLOUR

- charcoal

FINISH

- satin coat steel cabinet, coated with a high-quality epoxy powder paint making it 10 times more resistant to corrosion

MANUFACTURING

- robust, 18-gauge satin coat steel cabinet
- NEMA 4X watertight control enclosure made of recyclable polypropylene
- front-facing louvers set at 45° for optimal heat flow and safety wire mesh
- thermal protection with automatic reset
- pilot light indicates when thermal protection has been activated

MOTOR

- lubricated for life and totally enclosed ball-bearing motor

CERTIFICATIONS

- CSA C22.2 46, UL2021
- corrosion requirements CSA C22.2 94
- hose-down requirements CSA C22.2 94 Type 4X

ELEMENT

- nickel-plated and sealed with silicone to prevent corrosion
- enclosed low density element without fins helps to keep cabinet temperature lower than that of a conventional heater

FAN

- switch allows the unit to operate as a FAN only
- fan delay allows the unit to cool down before shutting off

CONTROL

- double pole built-in thermostat (T model)
- wall thermostat compatible with device and its environment (not included)

INSTALLATION

- wall or ceiling at least 6 feet (1.8 m) and up to 10 feet (3 m) from the ground with universal mounting bracket (included)

WARRANTY

- three years

°STELPRO

Stelpro reserves the right to modify descriptions, manufacturing specifications or prices without prior notice. No returns accepted on optional-colour products. For all the latest models and prices, please refer to our website at www.stelpro.com.



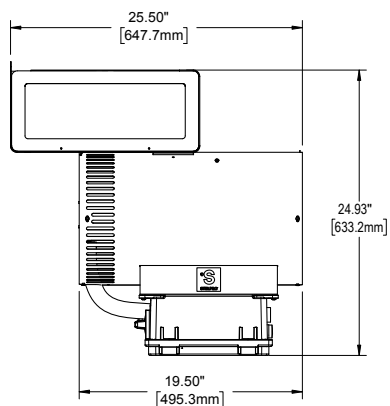
FC_SFH_EN_010520



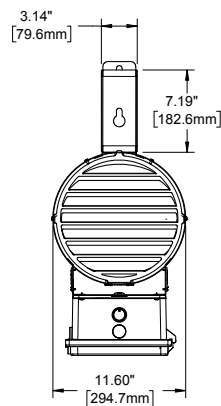
TECHNICAL SPECIFICATIONS

WITHOUT CONTROL	BUILT-IN THERMOSTAT	POWER	VOLTAGE	THROW DISTANCE	FLOW	HEAT RISE	WEIGHT	PRICE			
CODE	CODE	WATTS	VOLTS	M	FT	CFM	°C	°F	KG	LB	
SFH0521DISCHAR	SFH0521TDISCHAR	5000/3750	240/208	3	10	450	38	68	16	35	1512.00

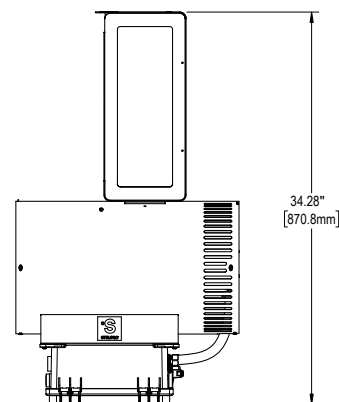
TECHNICAL DRAWINGS



LEFT SIDE



FRONT



RIGHT SIDE

3 TYPES OF INSTALLATION

