

SHDL

HAND DRYER



ONE MODEL, TWO VERSIONS

The SHDL series hand dryer is constructed with a one-piece, ultra-resistant Lexan cover and is surface mounted. It is available either fully automatic or with a push button.

STARTS AND STOPS AUTOMATICALLY (SHDLAS MODEL)

PUSH BUTTON STARTS AND STOPS MANUALLY (SHDLPB MODEL)

COLOUR

- white

MANUFACTURING

- shell is a one-piece mold of Lexan 940
- secured to a zinc alloy wall bracket with two chrome-plated, tamper-proof bolts
- chrome-plated, die-cast zinc turbine forces air
- tamper-proof vent, preventing the insertion of foreign objects

SOUND LEVEL

- 72 dBA

ELEMENT

- nichrome

CONTROL

- SHDLAS model - an infrared optical sensor located next to the air outlet activates the hand dryer
- a 90-second lockout feature is activated if hands are not removed before this time
- SHDLPB model - push button start
- built-in 30-second sealed electronic timer

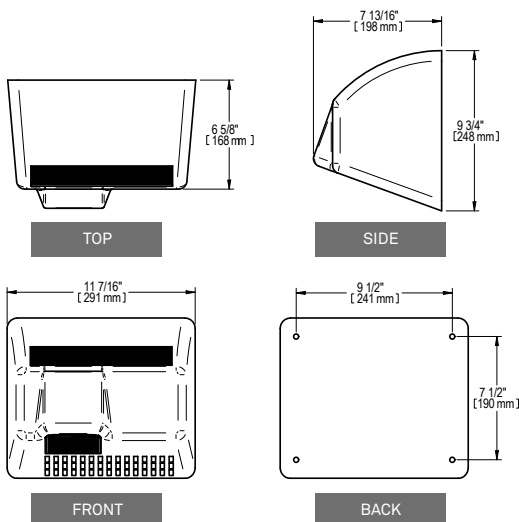
INSTALLATION

- wall mounted

WARRANTY

- five years, *three years on electronic components

TECHNICAL DRAWINGS



| IDEAL FOR | ENERGY SAVINGS | AIR SPEED OR AIR FLOW | HEATING POWER | NOISE LEVEL | DRYING TIME |
|----------------------------------|----------------|-----------------------|---------------|-------------|-------------|
| libraries, restaurants and cafés | --- | | | | |

| TECHNICAL SPECIFICATIONS | | | | | | |
|--------------------------|-------|---------|----------|--------|----|--------|
| PRODUCT | POWER | VOLTAGE | AMPERAGE | WEIGHT | | PRICE |
| CODE* | WATTS | VOLTS | AMPERES | KG | LB | |
| SHDLAS1W | 2000 | 120 | 20 | 9.0 | 20 | 563.00 |
| SHDLAS8W | 2000 | 208 | 11 | 9.0 | 20 | 563.00 |
| SHDLAS2W | 2000 | 240 | 11 | 9.0 | 20 | 563.00 |
| SHDLPB1W | 2000 | 120 | 20 | 8.1 | 18 | 491.00 |
| SHDLPB8W | 2000 | 208 | 11 | 8.1 | 18 | 491.00 |
| SHDLPB2W | 2000 | 240 | 11 | 8.1 | 18 | 491.00 |

| RECOMMENDED INSTALLATION HEIGHTS* | | | | |
|-----------------------------------|-----------------|----------------|----------------|----------------|
| MEN | WOMEN | TEENAGERS | CHILDREN | HANDICAPPED |
| 43 in. (109 cm) | 41 in. (104 cm) | 39 in. (99 cm) | 33 in. (84 cm) | 35 in. (89 cm) |

*Distance between floor and bottom of hand dryer



Stelpro reserves the right to modify descriptions, manufacturing specifications or prices without prior notice. No returns accepted on optional-colour products. For all the latest models and prices, please refer to our website at www.stelpro.com.

