

ASHDL

HAND DRYER



ONE MODEL, TWO VERSIONS

The ASHDL series hand dryer is constructed with a one-piece, ultra-resistant Lexan cover and is surface mounted. It is available either fully automatic or with a push button.

STARTS AND STOPS AUTOMATICALLY (ASHDLAS MODEL)

PUSH BUTTON STARTS AND STOPS MANUALLY (ASHDLPB MODEL)

COLOR

- white

MANUFACTURING

- shell is a one-piece mold of Lexan 940
- secured to a zinc alloy wall bracket with two chrome-plated, tamper-proof bolts
- chrome-plated, die-cast zinc turbine forces air
- tamper-proof vent, preventing the insertion of foreign objects

SOUND LEVEL

- 72 dBA

ELEMENT

- nichrome

CONTROL

- ASHDLAS model - an infrared optical sensor located next to the air outlet activates the hand dryer
- a 90-second lockout feature is activated if hands are not removed before this time
- ASHDLPB model - push button start
- built-in 30-second sealed electronic timer

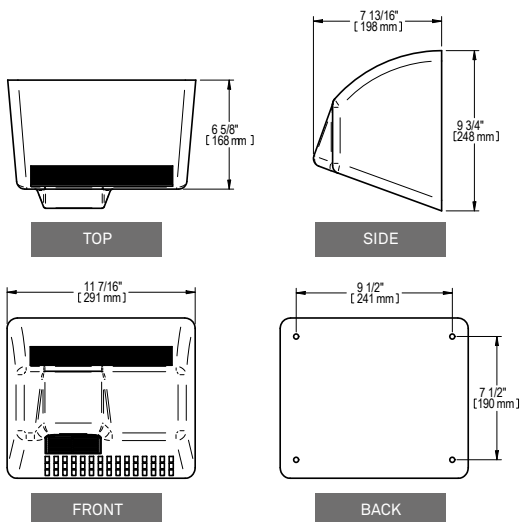
INSTALLATION

- wall mounted

WARRANTY

- five years, *three years on electronic components

TECHNICAL DRAWINGS



IDEAL FOR	ENERGY SAVINGS	AIR SPEED OR AIR FLOW	HEATING POWER	NOISE LEVEL	DRYING TIME
libraries, restaurants and cafés	---				

TECHNICAL SPECIFICATIONS				
PRODUCT CODE*	POWER WATTS	VOLTAGE VOLTS	AMPERAGE AMPERES	WEIGHT LB
ASHDLAS1W	2000	120	20	20
ASHDLAS8W	2000	208	11	20
ASHDLAS2W	2000	240	11	20
ASHDLPB1W	2000	120	20	18
ASHDLPB8W	2000	208	11	18
ASHDLPB2W	2000	240	11	18

RECOMMENDED INSTALLATION HEIGHTS*				
MEN	WOMEN	TEENAGERS	CHILDREN	HANDICAPPED
43 in.	41 in.	39 in.	33 in.	35 in.

*Distance between floor and bottom of hand dryer



Stelpro reserves the right to modify descriptions, manufacturing specifications or prices without prior notice. Returns are not accepted for orders of products with optional colors. For all the latest models and prices, please refer to our website at www.stelpro.com.

