

SHU | OXFORD™

COMMERCIAL AND INDUSTRIAL UNIT HEATER



OXFORD™
SERIES | SÉRIE



THE POWER OF DISPERSION

Stelpro designs heaters for all circumstances. Take the SHU, the large volume heater that is distinguished by its appealing appearance, its manufacturing and its sturdy composition. It is usually installed in large garages, but it is not uncommon for it to be seen in warehouses or any other kind of commercial construction site requiring a generous volume of heat. The SHU works with great ease and has an incredible power scale from 2 kW to 60 kW. What could be better!

INSTANT HEAT

PERMANENTLY LUBRICATED MOTOR

WIDE RANGE OF POWER: 2 KW TO 60 KW

WALL OR CEILING INSTALLATION BRACKET INCLUDED

COLOUR

- charcoal

FINISH

- epoxy-polyester powdercoat

MANUFACTURING

- heavy-duty, 18-gauge steel cabinet
- adjustable louvers and protective screen
- thermal protection with automatic reset

MOTOR

- permanently enclosed lubricated ball bearing motor for long-lasting operation

ELEMENT

- nichrome element produces instant heat

CONTROL

- connection of multiple units to the same thermostat is possible with a relay kit without transformer (optional) and an external transformer (not provided)

INSTALLATION

- wall or ceiling mounted with universal mounting bracket (included)
- minimum distance from adjacent walls: 6 in. (2 kW to 30 kW units), 12 in. (40 kW to 60 kW units)
- maximum mounting heights: 8 ft. (2 kW to 10 kW units), 10 ft. (15 kW to 30 kW units), 15 ft. (40 kW to 60 kW units)

WARRANTY

- three years

IDEAL FOR:

warehouse, factory, indoor parking garage,
large industrial and commercial spaces

°STELPRO

Stelpro reserves the right to modify descriptions, manufacturing specifications or prices without prior notice. No returns accepted on optional-colour products. For all the latest models and prices, please refer to our website at www.stelpro.com.



TECHNICAL SPECIFICATIONS

| WITHOUT CONTROL | | BUILT-IN THERMOSTAT | | 240 V CONTROL | | 24 V CONTROL | | VOLTAGE | POWER | FLOW |
|-----------------|---------|---------------------|---------|---------------|---------|-----------------|---------|---------|---------|------|
| CODE | PRICE | CODE | PRICE | CODE | PRICE | CODE | PRICE | VOLTS | KW | CFM |
| SHU0281CHAR | 1008.00 | SHU0281TCHAR | 1080.00 | SHU0281CCHAR | 1095.00 | SHU0281C24CHAR | 1140.00 | 208 | 2 | 250 |
| --- | --- | SHU0283CTCHAR* | 1167.00 | SHU0283CCHAR* | 1095.00 | SHU0283C24CHAR* | 1140.00 | 208 | 2 | 250 |
| SHU0221CHAR | 1008.00 | SHU0221TCHAR | 1080.00 | SHU0221CCHAR | 1095.00 | SHU0221C24CHAR | 1140.00 | 240/208 | 2/1.8 | 250 |
| --- | --- | SHU0231CTCHAR | 1367.00 | SHU0231CCHAR | 1295.00 | SHU0231C24CHAR | 1338.00 | 347 | 2 | 250 |
| --- | --- | SHU0261CTCHAR | 1367.00 | SHU0261CCHAR | 1295.00 | SHU0261C24CHAR | 1338.00 | 600 | 2 | 250 |
| --- | --- | SHU0263CTCHAR* | 1367.00 | SHU0263CCHAR* | 1295.00 | SHU0263C24CHAR* | 1338.00 | 600 | 2 | 250 |
| SHU0381CHAR | 1008.00 | SHU0381TCHAR | 1080.00 | SHU0381CCHAR | 1095.00 | SHU0381C24CHAR | 1140.00 | 208 | 3 | 250 |
| --- | --- | SHU0383CTCHAR* | 1167.00 | SHU0383CCHAR* | 1095.00 | SHU0383C24CHAR* | 1140.00 | 208 | 3 | 250 |
| SHU0321CHAR | 1008.00 | SHU0321TCHAR | 1080.00 | SHU0321CCHAR | 1095.00 | SHU0321C24CHAR | 1140.00 | 240/208 | 3/2.3 | 250 |
| --- | --- | SHU0331CTCHAR | 1409.00 | SHU0331CCHAR | 1336.00 | SHU0331C24CHAR | 1380.00 | 347 | 3 | 250 |
| --- | --- | SHU0361CTCHAR | 1409.00 | SHU0361CCHAR | 1336.00 | SHU0361C24CHAR | 1380.00 | 600 | 3 | 250 |
| --- | --- | SHU0363CTCHAR* | 1409.00 | SHU0363CCHAR* | 1336.00 | SHU0363C24CHAR* | 1380.00 | 600 | 3 | 250 |
| SHU0481CHAR | 1017.00 | SHU0481TCHAR | 1090.00 | SHU0481CCHAR | 1103.00 | SHU0481C24CHAR | 1149.00 | 208 | 4 | 250 |
| --- | --- | SHU0483CTCHAR* | 1178.00 | SHU0483CCHAR* | 1103.00 | SHU0483C24CHAR* | 1149.00 | 208 | 4 | 250 |
| SHU0421CHAR | 1017.00 | SHU0421TCHAR | 1090.00 | SHU0421CCHAR | 1103.00 | SHU0421C24CHAR | 1149.00 | 240/208 | 4/3 | 250 |
| --- | --- | SHU0431CTCHAR | 1440.00 | SHU0431CCHAR | 1367.00 | SHU0431C24CHAR | 1412.00 | 347 | 4 | 250 |
| --- | --- | SHU0461CTCHAR | 1440.00 | SHU0461CCHAR | 1367.00 | SHU0461C24CHAR | 1412.00 | 600 | 4 | 250 |
| --- | --- | SHU0463CTCHAR* | 1440.00 | SHU0463CCHAR* | 1367.00 | SHU0463C24CHAR* | 1412.00 | 600 | 4 | 250 |
| --- | --- | SHU0581TCHAR | 1255.00 | SHU0581CCHAR | 1270.00 | SHU0581C24CHAR | 1313.00 | 208 | 5 | 450 |
| --- | --- | SHU0583CTCHAR* | 1343.00 | SHU0583CCHAR* | 1270.00 | SHU0583C24CHAR* | 1313.00 | 208 | 5 | 450 |
| SHU0521CHAR | 1182.00 | SHU0521TCHAR | 1255.00 | SHU0521CCHAR | 1270.00 | SHU0521C24CHAR | 1313.00 | 240/208 | 5/3.8 | 450 |
| --- | --- | SHU0531CTCHAR | 1486.00 | SHU0531CCHAR | 1414.00 | SHU0531C24CHAR | 1457.00 | 347 | 5 | 450 |
| --- | --- | SHU0561CTCHAR | 1486.00 | SHU0561CCHAR | 1414.00 | SHU0561C24CHAR | 1457.00 | 600 | 5 | 450 |
| --- | --- | SHU0563CTCHAR* | 1487.00 | SHU0563CCHAR* | 1414.00 | SHU0563C24CHAR* | 1457.00 | 600 | 5 | 450 |
| --- | --- | SHU0781CTCHAR | 1890.00 | SHU0781CCHAR | 1818.00 | SHU0781C24CHAR | 1861.00 | 208 | 7.5 | 700 |
| --- | --- | SHU0783CTCHAR* | 1890.00 | SHU0783CCHAR* | 1818.00 | SHU0783C24CHAR* | 1861.00 | 208 | 7.5 | 700 |
| --- | --- | SHU0721CTCHAR | 1890.00 | SHU0721CCHAR | 1818.00 | SHU0721C24CHAR | 1861.00 | 240/208 | 7.5/5.6 | 700 |
| --- | --- | SHU0731CTCHAR | 2123.00 | SHU0731CCHAR | 2050.00 | SHU0731C24CHAR | 2094.00 | 347 | 7.5 | 700 |
| --- | --- | SHU0761CTCHAR | 2123.00 | SHU0761CCHAR | 2050.00 | SHU0761C24CHAR | 2094.00 | 600 | 7.5 | 700 |
| --- | --- | SHU0763CTCHAR* | 2123.00 | SHU0763CCHAR* | 2050.00 | SHU0763C24CHAR* | 2094.00 | 600 | 7.5 | 700 |

* Three-phase unit that can be field-converted to a single phase unit

* Three-phase unit

Models also available in 277 V and 480 V.

--- not available

ACCESSORIES

| PRODUCT | DESCRIPTION | PRICE |
|------------|---|--------|
| SHUT1 | built-in single pole thermostat (capillary) | 87.25 |
| SHUT2 | built-in double pole thermostat (capillary) | 132.00 |
| SHUFS* | fan switch | 66.25 |
| SHUDIS* | disconnect switch [80 A] | 188.00 |
| SHUC24RX* | relay kit without transformer 24 V (For all SHU, except SHU0521/SHU0581 VOLTS and less) | 137.00 |
| SHUFS-RCV* | remote control circuit for ventilation mode 240 V | 66.25 |

* Factory installed

TECHNICAL SPECIFICATIONS

| BUILT-IN THERMOSTAT | | 240 V CONTROL | | 24 V CONTROL | | VOLTAGE | POWER | FLOW |
|---------------------|---------|---------------|---------|-----------------|---------|---------|---------|------|
| CODE | PRICE | CODE | PRICE | CODE | PRICE | VOLTS | KW | CFM |
| SHU1081CTCHAR | 1986.00 | SHU1081CCHAR | 1913.00 | SHU1081C24CHAR | 1957.00 | 208 | 10 | 700 |
| SHU1083CTCHAR* | 1986.00 | SHU1083CCHAR* | 1913.00 | SHU1083C24CHAR* | 1957.00 | 208 | 10 | 700 |
| SHU1021CTCHAR | 1986.00 | SHU1021CCHAR | 1913.00 | SHU1021C24CHAR | 1957.00 | 240/208 | 10/7.5 | 700 |
| SHU1031CTCHAR | 2151.00 | SHU1031CCHAR | 2075.00 | SHU1031C24CHAR | 2120.00 | 347 | 10 | 700 |
| SHU1061CTCHAR | 2151.00 | SHU1061CCHAR | 2075.00 | SHU1061C24CHAR | 2120.00 | 600 | 10 | 700 |
| SHU1063CTCHAR* | 2151.00 | SHU1063CCHAR* | 2075.00 | SHU1063C24CHAR* | 2120.00 | 600 | 10 | 700 |
| SHU1581CTCHAR | 2646.00 | SHU1581CCHAR | 2575.00 | SHU1581C24CHAR | 2662.00 | 208 | 15 | 1300 |
| SHU1583CTCHAR* | 2646.00 | SHU1583CCHAR* | 2575.00 | SHU1583C24CHAR* | 2662.00 | 208 | 15 | 1300 |
| SHU1521CTCHAR | 2646.00 | SHU1521CCHAR | 2575.00 | SHU1521C24CHAR | 2662.00 | 240/208 | 15/11.3 | 1300 |
| SHU1531CTCHAR | 2646.00 | SHU1531CCHAR | 2575.00 | SHU1531C24CHAR | 2662.00 | 347 | 15 | 1300 |
| SHU1561CTCHAR | 2646.00 | SHU1561CCHAR | 2575.00 | SHU1561C24CHAR | 2662.00 | 600 | 15 | 1300 |
| SHU1563CTCHAR* | 2646.00 | SHU1563CCHAR* | 2575.00 | SHU1563C24CHAR* | 2662.00 | 600 | 15 | 1300 |
| SHU2081CTCHAR | 2905.00 | SHU2081CCHAR | 2831.00 | SHU2081C24CHAR | 2919.00 | 208 | 20 | 1300 |
| SHU2083CTCHAR* | 2905.00 | SHU2083CCHAR* | 2831.00 | SHU2083C24CHAR* | 2919.00 | 208 | 20 | 1300 |
| SHU2021CTCHAR | 2905.00 | SHU2021CCHAR | 2831.00 | SHU2021C24CHAR | 2919.00 | 240/208 | 20/15 | 1300 |
| SHU2031CTCHAR | 2905.00 | SHU2031CCHAR | 2831.00 | SHU2031C24CHAR | 2919.00 | 347 | 20 | 1300 |
| SHU2063CTCHAR* | 2905.00 | SHU2063CCHAR* | 2831.00 | SHU2063C24CHAR* | 2919.00 | 600 | 20 | 1300 |
| SHU2583CTCHAR* | 3347.00 | SHU2583CCHAR* | 3273.00 | SHU2583C24CHAR* | 3360.00 | 208 | 25 | 1300 |
| SHU2563CTCHAR* | 3347.00 | SHU2563CCHAR* | 3273.00 | SHU2563C24CHAR* | 3360.00 | 600 | 25 | 1300 |
| SHU3083CTCHAR* | 3408.00 | SHU3083CCHAR* | 3333.00 | SHU3083C24CHAR* | 3421.00 | 208 | 30 | 1400 |
| SHU3063CTCHAR* | 3408.00 | SHU3063CCHAR* | 3333.00 | SHU3063C24CHAR* | 3421.00 | 600 | 30 | 1400 |
| SHU4063CTCHAR* | 4469.00 | SHU4063CCHAR* | 4396.00 | SHU4063C24CHAR* | 4543.00 | 600 | 40 | 2100 |
| SHU5063CTCHAR* | 4758.00 | SHU5063CCHAR* | 4683.00 | SHU5063C24CHAR* | 4830.00 | 600 | 50 | 2100 |
| SHU6063CTCHAR* | 5225.00 | SHU6063CCHAR* | 5153.00 | SHU6063C24CHAR* | 5298.00 | 600 | 60 | 2100 |

* Three-phase unit that can be field-converted to a single phase unit.

* Three-phase unit

Models also available in 277 V and 480 V.

--- not available

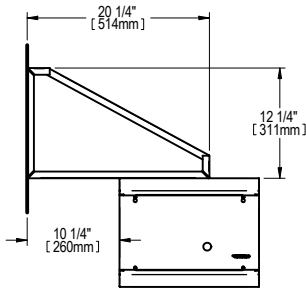
THROW DISTANCE AND HEAT RISE

| UNITS | THROW DISTANCE | | HEAT RISE | |
|-------|----------------|-------|-----------|-----|
| | M | FT | °C | °F |
| 2 | 8.5 | 28 | 17 | 31 |
| 3 | 8.5 | 28 | 35 | 62 |
| 4 | 8.5 | 28 | 52 | 93 |
| 5 | 9.4 | 31 | 55 | 99 |
| 7.5 | 9.4 | 31 | 54 | 97 |
| 10 | 9.4 | 31 | 85 | 153 |
| 15 | 10.7 | 35 | 52 | 93 |
| 20 | 11.3 | 37 | 89 | 160 |
| 25 | 10.2 | 33'6" | 133 | 240 |
| 30 | 10.7 | 35 | 135 | 243 |
| 40 | 10.7 | 35 | 132 | 237 |
| 50 | 10.7 | 35 | 141 | 254 |
| 60 | 10.7 | 35 | 156 | 280 |

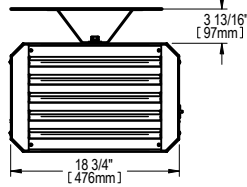
TECHNICAL DRAWINGS

2 KW TO 10 KW UNITS

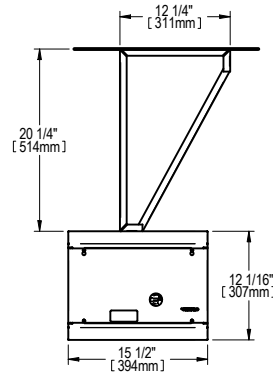
weight: approx. 40 lb (18 kg)



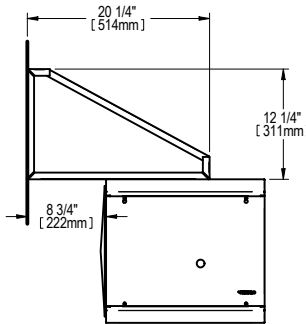
LEFT SIDE



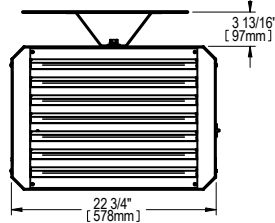
FRONT



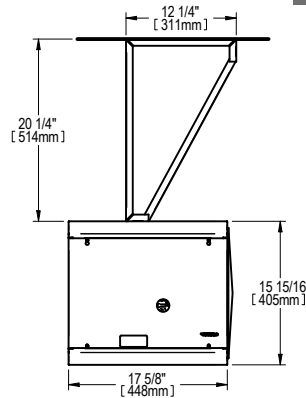
RIGHT SIDE



LEFT SIDE



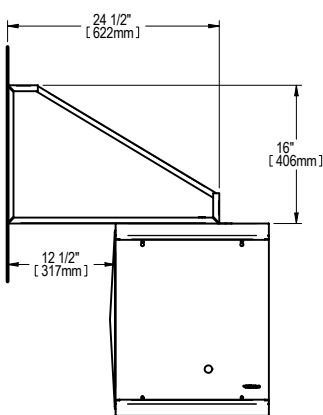
FRONT



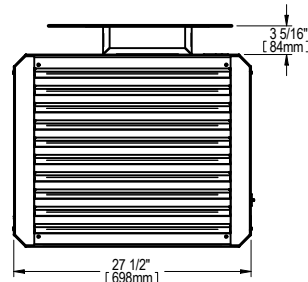
RIGHT SIDE

15 KW TO 30 KW UNITS

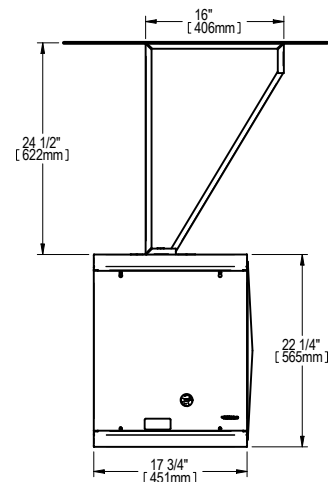
weight: approx. 67 lb (30 kg)



LEFT SIDE



FRONT



RIGHT SIDE

40 KW TO 60 KW UNITS

weight: approx. 100 lb (45 kg)