

ASOR | ORLÉANS™

HIGH-END CONVECTOR



ORLÉANS™



INNOVATION THAT MAXIMIZES YOUR COMFORT

With its unique design, the Orléans convector offers a faster temperature rise than any other convector on the market, ensuring optimal comfort in no time at all. The optional built-in thermostat is equipped with the Zigbee protocol and is smart home ready. In addition, the convector is available in optional colors exclusive to Stelpro, colors that will enhance even the simplest decor. Offering energy efficiency, connectivity, an adapted profile and a wide variety of models, the Orléans is now the benchmark for high-end convectors.

STYLISH AND COMPACT DESIGN

30% SLIMMER CONVECTOR†

OPTIMUM EFFICIENCY

25% FASTER TEMPERATURE RISE†

BUILT-IN THERMOSTAT AVAILABLE (OPTIONAL)

COMPATIBLE WITH THE MAESTRO ECOSYSTEM

QUICK AND EASY INSTALLATION

EXCLUSIVE BRACKET SYSTEM

TOTALLY QUIET

COLORS

- **standard:** white, soft white
- **Orora (optional):** refer to www.stelpro.com/en-US/Orora

FINISH

- epoxy-polyester powdercoat

MANUFACTURING

- 20-gauge steel cabinet and front
- aluminum grille and sides
- bottom air intake and top air discharge
- the cabinet height improves the chimney effect
- safe, rounded corners
- easy access to controls
- thermal protection with automatic reset

ELEMENTS

- aluminum extrusion
- two X-shaped elements to generate maximum heat

CONTROL

- built-in Maestro smart thermostat equipped with the Zigbee protocol
- color-coded feedback for responsible energy consumption
- drastic temperature drop detection (open window function)

INSTALLATION

- surface
- wall mounted at least 4 in. from the floor
- innovative mounting bracket for easy height adjustment
- back entry plate with cable clamps (included)

WARRANTY

- five years, *three years on electronic components

† Compared to similar convectors. Temperature rise is laboratory tested.

PATENTS PENDING

IDEAL FOR:

living room, kitchen, bedroom, office, hallway, basement, commercial space, waiting room, conference room

PART OF THE ORLÉANS FAMILY OF PRODUCTS

NEED A FAN HEATER FOR YOUR BATHROOM?

ASORB



°STELPRO

Stelpro reserves the right to modify descriptions, manufacturing specifications or prices without prior notice. No returns accepted on optional-color products. For all the latest models and prices, please refer to our website at www.stelpro.com.



FC_SOR_US_270420

TECHNICAL SPECIFICATIONS

BUILT-IN THERMOSTAT	WITHOUT THERMOSTAT	POWER		VOLTAGE	LENGTH	WEIGHT
CODE	CODE	WATTS	BTU/H	VOLTS	IN.	LB
STANDARD MODEL – HEIGHT OF 17 7/8 IN.						
ASOR0502	ASOR0502WC	500/375	1706/1280	240/208	18	10.7
ASOR1002	ASOR1002WC	1000/750	3413/2560	240/208	23 1/2	13.2
ASOR1502	ASOR1502WC	1500/1125	5119/3839	240/208	29 1/4	15.9
ASOR2002	ASOR2002WC	2000/1500	6825/5119	240/208	35 1/4	21.4
HIGH MODEL – HEIGHT OF 27 7/8 IN.						
ASORH1002	ASORH1002WC	1000/750	3413/2560	240/208	18	15
ASORH1502	ASORH1502WC	1500/1125	5119/3839	240/208	24 1/2	19.4
ASORH2002	ASORH2002WC	2000/1500	6825/5119	240/208	30 1/4	23.2
LOW MODEL – HEIGHT OF 13 IN.						
ASORL1002	ASORL1002WC	1000/750	3413/2560	240/208	29 1/2	11.5
ASORL1502	ASORL1502WC	1500/1125	5119/3839	240/208	38 7/8	15.2
ASORL2002	ASORL2002WC	2000/1500	6825/5119	240/208	50 1/4	18.3

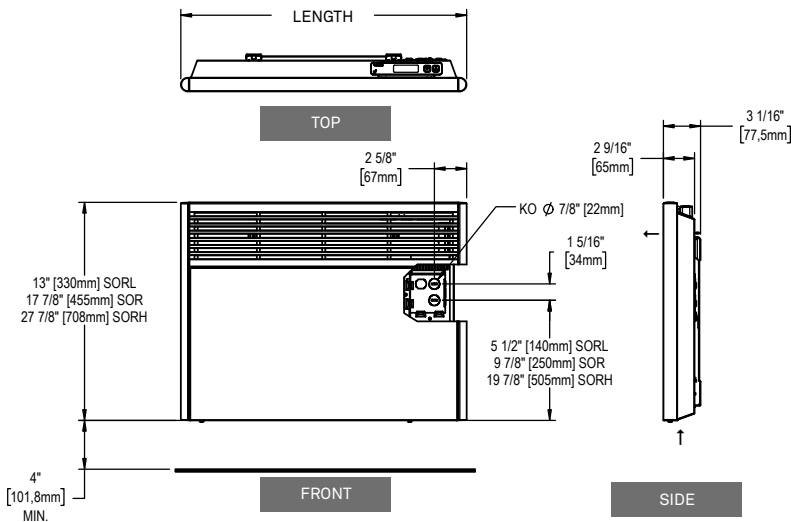
Add W for white or SW for soft white (or consult the optional color chart and contact your Stelpro representative for all other colors).
Thermostat included except WC = without control.

ACCESSORIES

PRODUCT	DESCRIPTION
SORRE153*	built-in electronic low voltage relay [15 A @ 120 V-347 V]
SORRE153T*	built-in electronic low voltage relay c/w transformer 24 V [15 A @ 208 V-347 V]

Electronic relays can receive a PWM (pulsed width modulation) or digital (on/off) signal.
* Factory installed

TECHNICAL DRAWINGS



BUILT-IN THERMOSTAT

CONTROL THE TEMPERATURE OF YOUR HOME FROM YOUR SMARTPHONE, TABLET OR COMPUTER



zigbee COMPATIBLE CONTROLLER REQUIRED

HARMONIZES WITH **MAESTRO** WORKS WITH **SmartThings**

FOR HOME AUTOMATED SYSTEM COMPATIBILITIES AND INSTRUCTIONS ON CONNECTING TO YOUR THERMOSTAT. REFER TO WWW.Stelpro.COM.

