

# WFA | ALUX™

## ALUMINUM WALL FAN HEATER



### WHEN DURABILITY AND PERFORMANCE MEET DESIGN

In need of a solid, stylish heater to warm your clients in the lobby or entrance of your business? The Alux series wall fan heater (WFA) with its remarkable rush of warm air is the solution. It has an aluminum extrusion grille that is striking, modern and unbelievably resistant. Imagine no more dents or rust! The WFA is suitable for recessed installation or can be surface mounted on a wall and is available in a large array of wattages to meet all your needs.

#### EXTRUDED ALUMINUM PROFILE WITH A UNIQUE, LUXURY DESIGN

#### EXTREMELY SOLID, IMPACT AND RUST RESISTANT

#### WIDE RANGE OF MODELS AND HEATING CAPACITIES INCLUDING A SINGLE 4800 W MODEL

#### SIGNATURE NICHROME ELEMENT OFFERS SUPERIOR PERFORMANCE AND IMMEDIATE HEAT

#### COLOURS

- **standard:** white, soft white
- **Orora (optional):** refer to [www.stelpro.com/en-CA/Orora](http://www.stelpro.com/en-CA/Orora)

#### FINISH

- epoxy-polyester powdercoat

#### MANUFACTURING

- 22-gauge steel cabinet
- extruded aluminum grille with a thickness equivalent to 13 gauge
- top air intake with bottom air discharge
- quiet helicoidal fan: single unit 1 x 160 CFM – double unit 2 x 160 CFM – triple unit 3 x 160 CFM
- thermal protection with automatic reset
- totally enclosed, permanently lubricated motor

#### ELEMENT

- high-quality nichrome element producing instant heat

#### CONTROL

- connection of multiple units to the same thermostat is possible with a relay kit without transformer (optional) and an external transformer (not provided)

#### INSTALLATION

- wall mounted
- recessed or surface mounted with surface adapter (optional)

#### WARRANTY

- three years

#### IDEAL FOR:

lobby, entrance, corridor, factory, warehouse, stairwell



Stelpro reserves the right to modify descriptions, manufacturing specifications or prices without prior notice. No returns accepted on optional-colour products. For all the latest models and prices, please refer to our website at [www.stelpro.com](http://www.stelpro.com).



# TECHNICAL SPECIFICATIONS

WITHOUT CONTROL		BUILT-IN THERMOSTAT		240 V CONTROL	24 V CONTROL		POWER	VOLTAGE	WEIGHT	MODEL	
CODE	PRICE	CODE	PRICE	CODE	CODE	PRICE	WATTS	VOLTS	KG	LB	UNIT
WFA1508	657.00	WFA1508T	706.00	WFA1508C	WFA1508C24	811.00	1500	208	9.1	20	SINGLE
WFA1502	657.00	WFA1502T	706.00	WFA1502C	WFA1502C24	811.00	1500/1125	240/208	9.1	20	SINGLE
WFA1503	900.00	WFA1503T	950.00	WFA1503C	WFA1503C24	1054.00	1500	347	9.1	20	SINGLE
---	---	WFA1506T	992.00	WFA1506C	WFA1506C24	1097.00	1500	600	12	27	SINGLE
WFA2008	657.00	WFA2008T	706.00	WFA2008C	WFA2008C24	811.00	2000	208	10.4	23	SINGLE
WFA2002	657.00	WFA2002T	706.00	WFA2002C	WFA2002C24	811.00	2000/1500	240/208	10.4	23	SINGLE
WFA2003	900.00	WFA2003T	950.00	WFA2003C	WFA2003C24	1054.00	2000	347	10.4	23	SINGLE
---	---	WFA2006T	992.00	WFA2006C	WFA2006C24	1097.00	2000	600	12	27	SINGLE
WFA3008	671.00	WFA3008T	719.00	WFA3008C	WFA3008C24	825.00	3000	208	10.4	23	SINGLE
WFA3002	671.00	WFA3002T	719.00	WFA3002C	WFA3002C24	825.00	3000/2250	240/208	10.4	23	SINGLE
WFA3003	916.00	WFA3003T	965.00	WFA3003C	WFA3003C24	1069.00	3000	347	10.4	23	SINGLE
---	---	WFA3006T	1006.00	WFA3006C	WFA3006C24	1110.00	3000	600	12	27	SINGLE
WFA4008	714.00	WFA4008T	762.00	WFA4008C	WFA4008C24	866.00	4000	208	10.4	23	SINGLE
WFA4002	714.00	WFA4002T	762.00	WFA4002C	WFA4002C24	866.00	4000/3000	240/208	10.4	23	SINGLE
WFA4003	956.00	WFA4003T	1006.00	WFA4003C	WFA4003C24	1110.00	4000	347	10.4	23	SINGLE
---	---	WFA4006T	1048.00	WFA4006C	WFA4006C24	1152.00	4000	600	12	27	SINGLE
WFA4808	741.00	WFA4808T	793.00	WFA4808C	WFA4808C24	903.00	4800	208	10.4	23	SINGLE
WFA4802	741.00	WFA4802T	793.00	WFA4802C	WFA4802C24	903.00	4800/3600	240/208	10.4	23	SINGLE
WFA4803	998.00	WFA4803T	1049.00	WFA4803C	WFA4803C24	1159.00	4800	347	10.4	23	SINGLE
---	---	WFA4806T	1094.00	WFA4806C	WFA4806C24	1204.00	4800	600	12	27	SINGLE
---	---	WFA6008CT	1755.00	WFA6008C	WFA6008C24	1706.00	6000	208	20	44	DOUBLE
---	---	WFA6002T	1601.00	WFA6002C	WFA6002C24	1706.00	6000/4500	240/208	20	44	DOUBLE
---	---	WFA6003T	2019.00	WFA6003C	WFA6003C24	2123.00	6000	347	20	44	DOUBLE
---	---	WFA6006T	2019.00	WFA6006C	WFA6006C24	2123.00	6000	600	22	48	DOUBLE
---	---	WFA60083CT*	1816.00	WFA60083C*	WFA60083C24*	1767.00	6000	208	36	80	TRIPLE
---	---	WFA60063CT*	2234.00	WFA60063C*	WFA60063C24*	2186.00	6000	600	36	80	TRIPLE
---	---	WFA8008CT	1852.00	WFA8008C	WFA8008C24	1803.00	8000	208	20	44	DOUBLE
---	---	WFA8002CT	1852.00	WFA8002C	WFA8002C24	1803.00	8000/6000	240/208	20	44	DOUBLE
---	---	WFA8003CT	2431.00	WFA8003C	WFA8003C24	2383.00	8000	347	20	44	DOUBLE
---	---	WFA8006CT	2431.00	WFA8006C	WFA8006C24	2383.00	8000	600	22	48	DOUBLE
---	---	WFA90083CT*	2502.00	WFA90083C*	WFA90083C24*	2453.00	9000	208	36	80	TRIPLE
---	---	WFA90063CT*	3180.00	WFA90063C*	WFA90063C24*	3130.00	9000	600	36	80	TRIPLE
---	---	WFA12008CT	2711.00	WFA12008C	WFA12008C24	2662.00	12 000	208	36	80	TRIPLE
---	---	WFA12002CT	2711.00	WFA12002C	WFA12002C24	2662.00	12 000/9000	240/208	36	80	TRIPLE
---	---	WFA12003CT	3388.00	WFA12003C	WFA12003C24	3340.00	12 000	347	36	80	TRIPLE
---	---	WFA12006CT	3388.00	WFA12006C	WFA12006C24	3340.00	12 000	600	36	80	TRIPLE
---	---	WFA120083CT*	2711.00	WFA120083C*	WFA120083C24*	2662.00	12 000	208	36	80	TRIPLE
---	---	WFA120063CT*	3388.00	WFA120063C*	WFA120063C24*	3340.00	12 000	600	36	80	TRIPLE

Add W for white or SW for soft white (consult the optional colours chart or contact your Stelpro representative for all other colours).

\* Three-phase unit

Models also available in 277 V and 480 V. --- not available

# ACCESSORIES

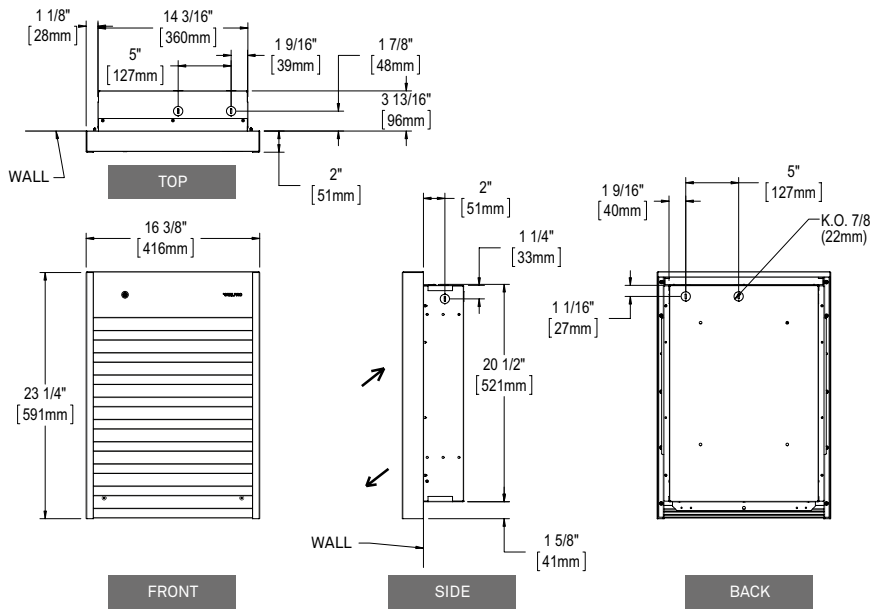
PRODUCT	DESCRIPTION	PRICE
WFAT1	built-in single pole thermostat [120 V-347 V]	50.00
WFAT2	built-in double pole thermostat [120 V-347 V]	63.50
WFASA1*	surface adapter (single unit)	104.00
WFASA2*	surface adapter (double unit)	213.00
WFASA3*	surface adapter (triple unit)	317.00
WFADIS-30*	disconnect switch kit 600 V/30 A, 2 poles	130.00
WFADIS-40*	disconnect switch kit 600 V/40 A, 2 poles/3 poles	154.00
WFADIS-60*	disconnect switch kit 600 V/60 A, 2 poles/3 poles	187.00
WFC24RX*	relay kit without transformer 24 V	136.00

\* Add W for white or SW for soft white.

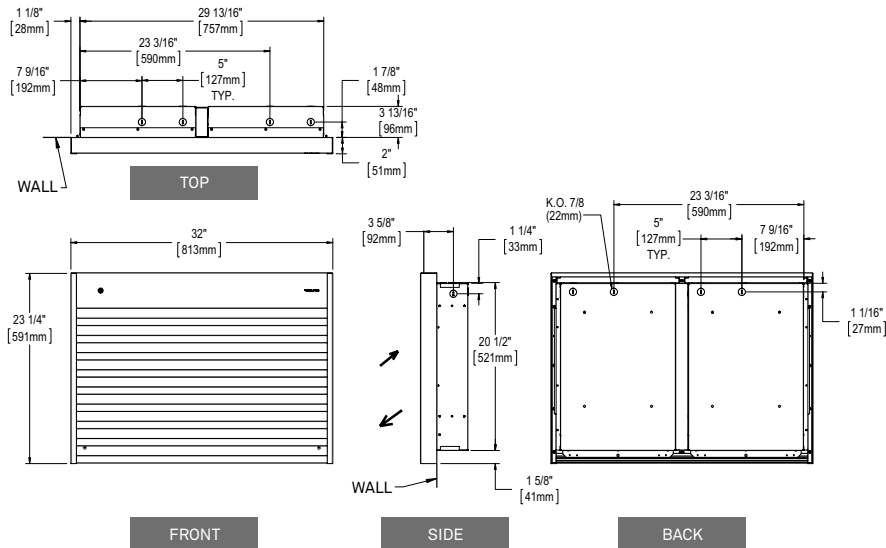
\* Factory installation

# TECHNICAL DRAWINGS

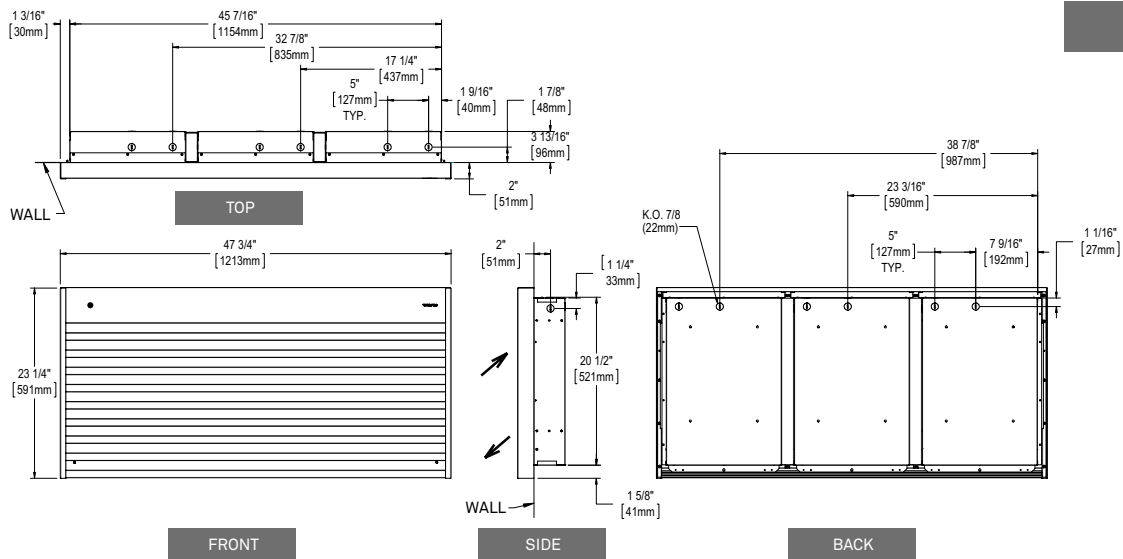
SINGLE UNIT



DOUBLE UNIT



TRIPLE UNIT





Stelpro reserves the right to modify descriptions, manufacturing specifications or prices without prior notice. No returns accepted on optional-colour products. For all the latest models and prices, please refer to our website at [www.stelpro.com](http://www.stelpro.com).