

# WF

## WALL FAN HEATER



## VERSATILITY IS THE NAME OF THE GAME!

The WF is a high-capacity fan heater that's ideal for building lobbies, long corridors, stairwells, workshops, factories and warehouses. Its electrical element is made of high-quality nichrome that provides an immediate surge of hot air. The various modes of wall installation make the WF heater one of the most versatile fan heaters on the market: it can be surface mounted or recessed, with a variety of models and heating capacities to choose from.

### GRILLE WITH ROUNDED SIDES

DURABLE AND STYLISH

### WIDE RANGE OF MODELS AND HEATING CAPACITIES

INCLUDING A SINGLE 4800 W MODEL

### NICHROME ELEMENT

ASSURING INSTANT HEAT

### OPTIONAL DISCONNECT SWITCH AVAILABLE



ROUNDED SIDES

### IDEAL FOR:

lobby, corridor, factory, warehouse, stairwell

### COLOURS

- **standard:** white, soft white
- **luxury finish:** stainless steel (see price list)
- **Orora (optional):** refer to [www.stelpro.com/en-CA/Orora](http://www.stelpro.com/en-CA/Orora)

### FINISH

- epoxy-polyester powdercoat or stainless steel

### MANUFACTURING

- 20-gauge steel cabinet and 18-gauge steel grille
- top air intake with bottom air discharge
- quiet helicoidal fan: single unit 1 x 160 CFM – double unit 2 x 160 CFM – triple unit 3 x 160 CFM
- thermal protection with automatic reset
- totally enclosed, permanently lubricated motor

### ELEMENT

- high-quality nichrome element producing instant heat

### CONTROL

- connection of multiple units to the same thermostat is possible with a relay kit without transformer (optional) and an external transformer (not provided)

### INSTALLATION

- wall mounted
- recessed or surface mounted with surface adapter (optional)

### WARRANTY

- three years

# °STELPRO

Stelpro reserves the right to modify descriptions, manufacturing specifications or prices without prior notice. No returns accepted on optional-colour products. For all the latest models and prices, please refer to our website at [www.stelpro.com](http://www.stelpro.com).



# TECHNICAL SPECIFICATIONS

WITHOUT CONTROL			BUILT-IN THERMOSTAT			240 V CONTROL		24 V CONTROL		POWER		VOLTAGE		WEIGHT		MODEL
CODE	PRICE W OR SW	PRICE SS	CODE	PRICE W OR SW	PRICE SS	CODE	CODE	PRICE W OR SW	PRICE SS	WATTS	VOLTS	KG	LB	UNIT		
WF1508	538.00	663.00	WF1508T	587.00	712.00	WF1508C	WF1508C24	692.00	818.00	1500	208	9	20	SINGLE		
WF1502	538.00	663.00	WF1502T	587.00	712.00	WF1502C	WF1502C24	692.00	818.00	1500/1125	240/208	9	20	SINGLE		
WF1503	784.00	909.00	WF1503T	834.00	959.00	WF1503C	WF1503C24	938.00	1064.00	1500	347	9	20	SINGLE		
---	---	---	WF1506T	875.00	1001.00	WF1506C	WF1506C24	981.00	1107.00	1500	600	10	22	SINGLE		
WF2008	538.00	663.00	WF2008T	587.00	712.00	WF2008C	WF2008C24	692.00	818.00	2000	208	9	20	SINGLE		
WF2002	538.00	663.00	WF2002T	587.00	712.00	WF2002C	WF2002C24	692.00	818.00	2000/1500	240/208	9	20	SINGLE		
WF2003	784.00	909.00	WF2003T	834.00	959.00	WF2003C	WF2003C24	938.00	1064.00	2000	347	9	20	SINGLE		
---	---	---	WF2006T	875.00	1001.00	WF2006C	WF2006C24	981.00	1107.00	2000	600	10	22	SINGLE		
WF3008	552.00	678.00	WF3008T	600.00	726.00	WF3008C	WF3008C24	707.00	833.00	3000	208	9	20	SINGLE		
WF3002	552.00	678.00	WF3002T	600.00	726.00	WF3002C	WF3002C24	707.00	833.00	3000/2250	240/208	9	20	SINGLE		
WF3003	798.00	924.00	WF3003T	849.00	974.00	WF3003C	WF3003C24	954.00	1079.00	3000	347	9	20	SINGLE		
---	---	---	WF3006T	890.00	1016.00	WF3006C	WF3006C24	996.00	1121.00	3000	600	10	22	SINGLE		
WF4008	595.00	721.00	WF4008T	643.00	769.00	WF4008C	WF4008C24	749.00	874.00	4000	208	9	20	SINGLE		
WF4002	595.00	721.00	WF4002T	643.00	769.00	WF4002C	WF4002C24	749.00	874.00	4000/3000	240/208	9	20	SINGLE		
WF4003	840.00	965.00	WF4003T	890.00	1016.00	WF4003C	WF4003C24	996.00	1121.00	4000	347	9	20	SINGLE		
---	---	---	WF4006T	933.00	1058.00	WF4006C	WF4006C24	1039.00	1163.00	4000	600	10	22	SINGLE		
WF4808	622.00	748.00	WF4808T	676.00	801.00	WF4808C	WF4808C24	786.00	912.00	4800	208	9	20	SINGLE		
WF4802	622.00	748.00	WF4802T	676.00	801.00	WF4802C	WF4802C24	786.00	912.00	4800/3600	240/208	9	20	SINGLE		
WF4803	882.00	1007.00	WF4803T	934.00	1059.00	WF4803C	WF4803C24	1045.00	1170.00	4800	347	9	20	SINGLE		
---	---	---	WF4806T	979.00	1104.00	WF4806C	WF4806C24	1090.00	1215.00	4800	600	10	22	SINGLE		
---	---	---	WF6008CT	1532.00	1772.00	WF6008C	WF6008C24	1482.00	1722.00	6000	208	18	40	DOUBLE		
---	---	---	WF6002T	1376.00	1616.00	WF6002C	WF6002C24	1482.00	1722.00	6000/4500	240/208	18	40	DOUBLE		
---	---	---	WF6003T	1799.00	2039.00	WF6003C	WF6003C24	1905.00	2144.00	6000	347	18	40	DOUBLE		
---	---	---	WF6006T	1799.00	2039.00	WF6006C	WF6006C24	1905.00	2144.00	6000	600	20	44	DOUBLE		
---	---	---	WF60083CT*	1532.00	1834.00	WF60083C*	WF60083C24*	1482.00	1784.00	6000	208	36	80	TRIPLE		
---	---	---	WF60063CT*	1953.00	2256.00	WF60063C*	WF60063C24*	1905.00	2207.00	6000	600	36	80	TRIPLE		
---	---	---	WF8008CT	1614.00	1852.00	WF8008C	WF8008C24	1565.00	1803.00	8000	208	18	40	DOUBLE		
---	---	---	WF8002CT	1614.00	1852.00	WF8002C	WF8002C24	1565.00	1803.00	8000/6000	240/208	18	40	DOUBLE		
---	---	---	WF8003CT	2193.00	2431.00	WF8003C	WF8003C24	2146.00	2383.00	8000	347	18	40	DOUBLE		
---	---	---	WF8006CT	2193.00	2431.00	WF8006C	WF8006C24	2146.00	2383.00	8000	600	20	44	DOUBLE		
---	---	---	WF90083CT*	2203.00	2502.00	WF90083C*	WF90083C24*	2152.00	2453.00	9000	208	36	80	TRIPLE		
---	---	---	WF90063CT*	2880.00	3180.00	WF90063C*	WF90063C24*	2829.00	3130.00	9000	600	36	80	TRIPLE		
---	---	---	WF12008CT	2434.00	2737.00	WF12008C	WF12008C24	2386.00	2687.00	12000	208	36	80	TRIPLE		
---	---	---	WF12002CT	2434.00	2737.00	WF12002C	WF12002C24	2386.00	2687.00	12000/9000	240/208	36	80	TRIPLE		
---	---	---	WF12003CT	3119.00	3420.00	WF12003C	WF12003C24	3070.00	3372.00	12000	347	36	80	TRIPLE		
---	---	---	WF12006CT	3119.00	3420.00	WF12006C	WF12006C24	3070.00	3372.00	12000	600	36	80	TRIPLE		
---	---	---	WF120083CT*	2434.00	2737.00	WF120083C*	WF120083C24*	2386.00	2687.00	12000	208	36	80	TRIPLE		
---	---	---	WF120063CT*	3119.00	3420.00	WF120063C*	WF120063C24*	3070.00	3372.00	12000	600	36	80	TRIPLE		

Add W for white, SW for soft white or SS for stainless steel (consult the optional colours chart or contact your Stelpro representative for all other colours).

\* Three-phase unit

Models also available in 277 V and 480 V.

--- not available



## THROW DISTANCE AND HEAT RISE

UNITS	THROW DISTANCE		HEAT RISE	
	M	FT	°C	°F
1.5	4.1	13'7"	30	53
2	4.1	13'7"	42	75
3	4.1	13'7"	61	110
4	4.1	13'7"	74	133
4.8	4.1	13'7"	93	167
6	4.1	13'7"	61	110
8	4.1	13'7"	74	133
9	4.1	13'7"	61	110
12	4.1	13'7"	74	133

## ACCESSORIES

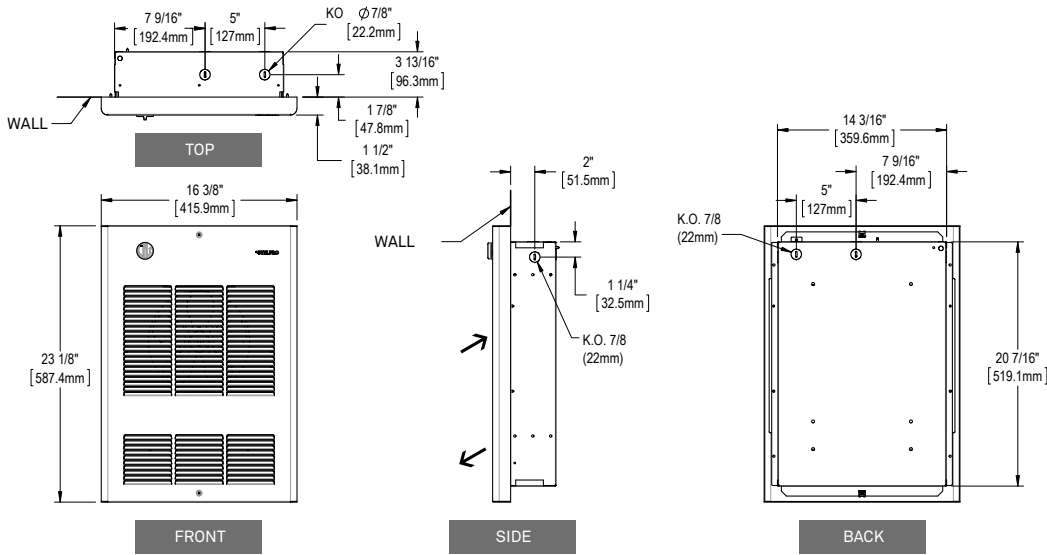
PRODUCT	DESCRIPTION	PRICE
WFT1	built-in single pole thermostat [120 V-600 V]	50.00
WFT2	built-in double pole thermostat [120 V-600 V]	63.50
WFA1*	surface adapter (single unit)	66.25
WFA2*	surface adapter (double unit)	136.00
WFA3*	surface adapter (triple unit)	203.00
WFA1SS	stainless steel surface adapter (single unit)	164.00
WFA2SS	stainless steel surface adapter (double unit)	282.00
WFA3SS	stainless steel surface adapter (triple unit)	396.00
WFDIS-30*	disconnect switch kit 600 V/30 A, 2 poles	132.00
WFDIS-40*	disconnect switch kit 600 V/40 A, 2 poles/3 poles	156.00
WFDIS-60*	disconnect switch kit 600 V/60 A, 2 poles/3 poles	188.00
WFC24RX*	relay kit without transformer 24 V	136.00

\* Add W for white or SW for soft white.

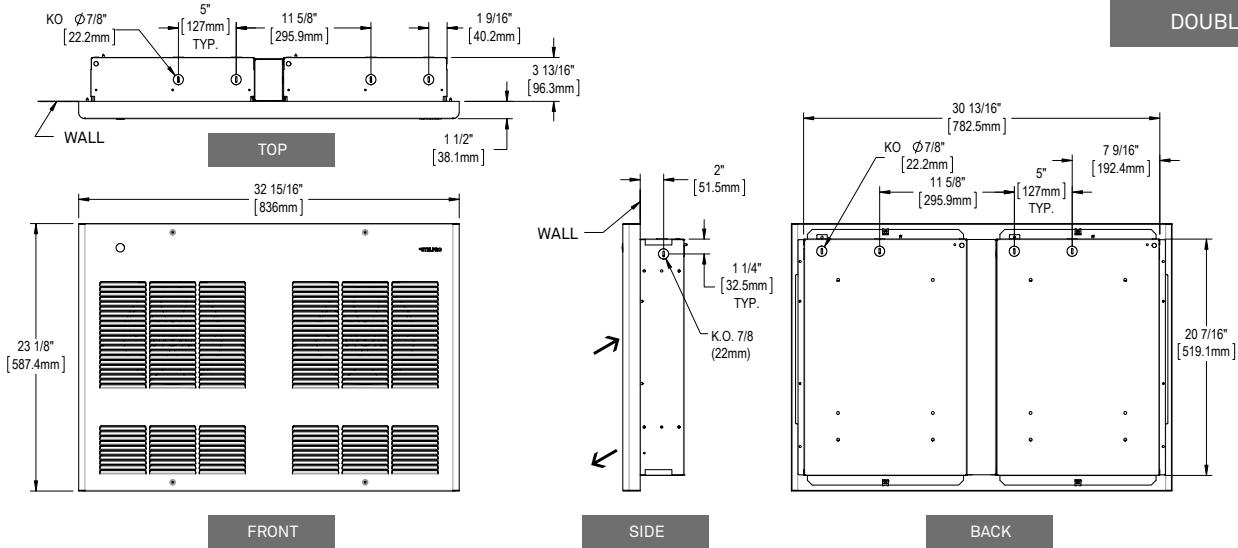
\* Factory installation

# TECHNICAL DRAWINGS

## SINGLE UNIT



## DOUBLE UNIT



## TRIPLE UNIT

