

# INSTALLATION INSTRUCTIONS FOR STELPRO DRYER (SHDL SERIES)

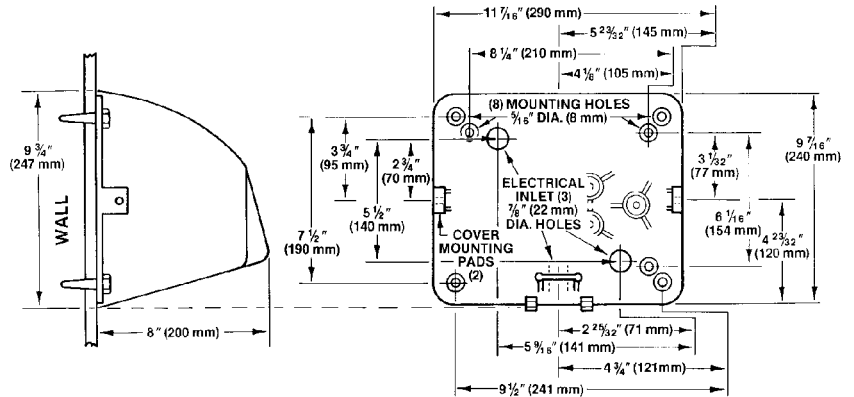
**FOR PROPER ELECTRICAL CONNECTIONS, CHECK YOUR LOCAL BUILDING CODES.  
YOUR UNIT MUST BE INSTALLED BY A QUALIFIED, LICENSED ELECTRICIAN.**

## Suggested Mtg. Heights from floor to bottom of dryer

Men's	43" (109 cm)
Ladies'	41" (104 cm)
Teenagers'	39" (99 cm)
Sm. Children	33" (84 cm)
Handicapped	35" (89 cm)

## Recommended Fastener

Masonry Wall	½" expansion sleeve with ¼" lag bolt
Hollow Wall	¼" wing type through bolt
Wooden Wall	¼" lag screw with washer

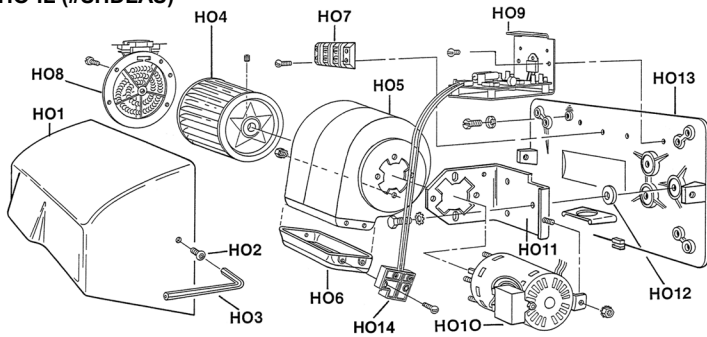


1. Remove cover of dryer by unscrewing two tamper-proof bolts from the sides of the cover with the special wrench provided with each unit.
2. Attach wall plate assembly to smooth wall using the recommended type of fastener (see above).
3. Connect 110/120V dryer to a 20 Amp branch circuit only using at least 12 GA wire. Connect 208V or 240V dryer to a 15 Amp branch circuit only using at least 14 GA wire.
4. Attach lines to terminals as indicated by the schematic inside dryer cover. Be sure that an equipment ground wire is securely fastened to wall plate. For runs over 50 feet or for multiple installations, increase the size of the wire used. Dryers located in shower rooms or other wet locations should be installed with circuits protected by ground fault interrupter(s).
5. Before replacing cover, check the Serial Number marked inside the dryer to be sure it matches the Serial Number on the nameplate.  
**PLEASE DO NOT SWITCH COVERS.**

**NOTE:** TO PROTECT DRYER FROM INTERNAL CORROSION CAUSED BY WASH WATER AND CLEANING SOLUTIONS, IT IS **HIGHLY RECOMMENDED** THAT AFTER COMPLETING INSTALLATION, A BEAD OF SILICONE SEALANT BE PLACED AROUND THE OUTSIDE OF THE COVER AT THE WALL.

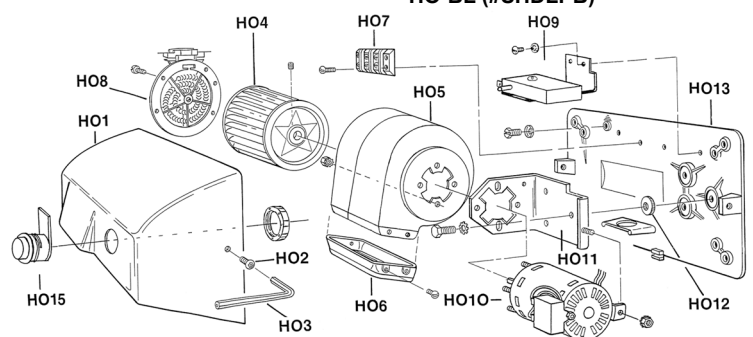
## PARTS LIST FOR PUSH BUTTON AND AUTOMATIC DRYER

### AUTOMATIC DRYER HO-IL (#SHDLAS)



Surface Mounted with Capacitor Motor

### PUSH BUTTON DRYER HO-BL (#SHDLPB)



Surface Mounted with Triac Control

<u>REF NO.</u>	<u>DESCRIPTION</u>
HO1	Cover Lexan (HO-IL) Automatic Cover Lexan (HO-BL) Push button
HO2	Tamper-proof bolt (Lexan cover)
HO3	Tamper-proof wrench
HO4	Blower Wheel
HO5	Blower Housing
HO6	Blower Vent/Grille
HO7	Terminal Block
HO8	Heating Element Assembly 110/120V, 208V, 240V

<u>REF NO.</u>	<u>DESCRIPTION</u>
HO-9	Dryer Control- Timer (Push button-all voltages) Dryer Control- Infrared 110/120V or 208/240V Motor - Capacitor (110/120V or 208/240V)
HO-10	Motor Bracket
HO-11	Motor Bracket Pads (3)
HO-12	Wall Plate
HO-13	Optics (Sensor)
HO-14	Pushbutton Assy. (including nut)
HO-15	Element Baffle (not shown)
HO-16	Motor Baffle (not shown)

**IMPORTANT:** THE MODEL NUMBER, SERIAL NUMBER AND VOLTAGE OF THE DRYER **MUST BE INCLUDED** WHEN ORDERING PARTS.

 **DISCONNECT ELECTRICAL SUPPLY TO DRYER PRIOR TO CLEANING**

## **CLEANING INSTRUCTIONS**

### **OUTSIDE**

Gently wash Cover (including Inlet Screen) using a soft cloth or sponge and a mild soap or detergent with lukewarm water to loosen dirt and grime. DO NOT USE ABRASIVE OR HIGHLY ALKALINE CLEANERS. NEVER SCRAPE WITH RAZOR BLADE OR OTHER SHARP INSTRUMENT. BENEZENE, LEADED GASOLINE, ACETONE OR CARBON TETRACHLORIDE SHOULD NEVER BE USED.

### **INSIDE**

With normal use, dryer will require cleaning once a year. Heavier usage requires more frequent cleaning. Lint on the Inlet Screen, fan or other internal parts of dryer will reduce efficiency and shorten the life of the working parts. To clean, remove cover by unscrewing the tamper-proof bolts from cover with the special wrench provided with each dryer. Use a small, soft brush to gently clean all parts. Don't forget to inspect for missing or broken Blower Vent/Grille

## **TROUBLESHOOTING GUIDE**

### **PUSH BUTTON DRYER**

#### ***If your dryer does not shut off***

Check for loose, disconnected or improper wiring at dryer timer. If OK, replace dryer timer.

#### ***If your dryer does not turn on***

First, verify that the dryer circuit breaker is on.  
Then check voltage to dryer terminal block.  
Check for loose wires on dryer timer.  
Check to see if push button assembly is sticking  
If OK, replace dryer timer.

#### ***If your dryer does not always turn on***

Check to see if push button assembly is sticking.  
If OK, replace dryer timer.

#### ***If your dryer heats up but no air comes out***

Check to see if your blower wheel is jammed.  
Check to see if motor is hot. If hot, let cool for 10 minutes to reset motor's internal circuit breaker.  
If cool, replace motor.

#### ***If your dryer blows only cold air***

Check for loose wires on heating element.  
If OK, replace heating element.

### **AUTOMATIC DRYER**

#### ***If your dryer does not shut off***

Check for foreign material on optical sensor next to air outlet.  
Check for loose connections to dryer control  
If OK, replace dryer control

#### ***If your dryer does not turn on***

Verify that the dryer circuit breaker is on.  
Check voltage to dryer terminal block.  
Check for loose or disconnected terminals on dryer control.  
Check for foreign material on optical sensor next to air outlet  
If OK, replace dryer control.

#### ***If your dryer does not always turn on, or turns on by itself***

Check for foreign material on optical sensor next to air outlet  
Check for loose or disconnected terminals on dryer control.  
If OK, replace dryer control.

#### ***If your dryer heats up but no air comes out***

Check to see if your blower wheel is jammed.  
Check to see if motor is hot. If hot, let cool for 10 minutes to reset motor's internal circuit breaker.  
If cool, replace motor.

#### ***If your dryer blows only cold air***

Check for loose wires on heating element.  
If OK, replace heating element.

## **LIMITED WARRANTY FOR STOCK #SHDLAS AND STOCK #SHDLPB HAND DRYERS**

This unit is guaranteed three (3) years. If in this period of time the unit becomes defective, it must be returned to the place of purchase with a copy of the invoice, or simply contact our customer service department (with a copy of the invoice in hand). **In order for the warranty to be valid, the unit must be installed according to the instructions and well maintained.**

**°STELPRO**

**Stelpro Design Inc.**  
St-Bruno, QC J3V 6L7  
www.stelpro.com