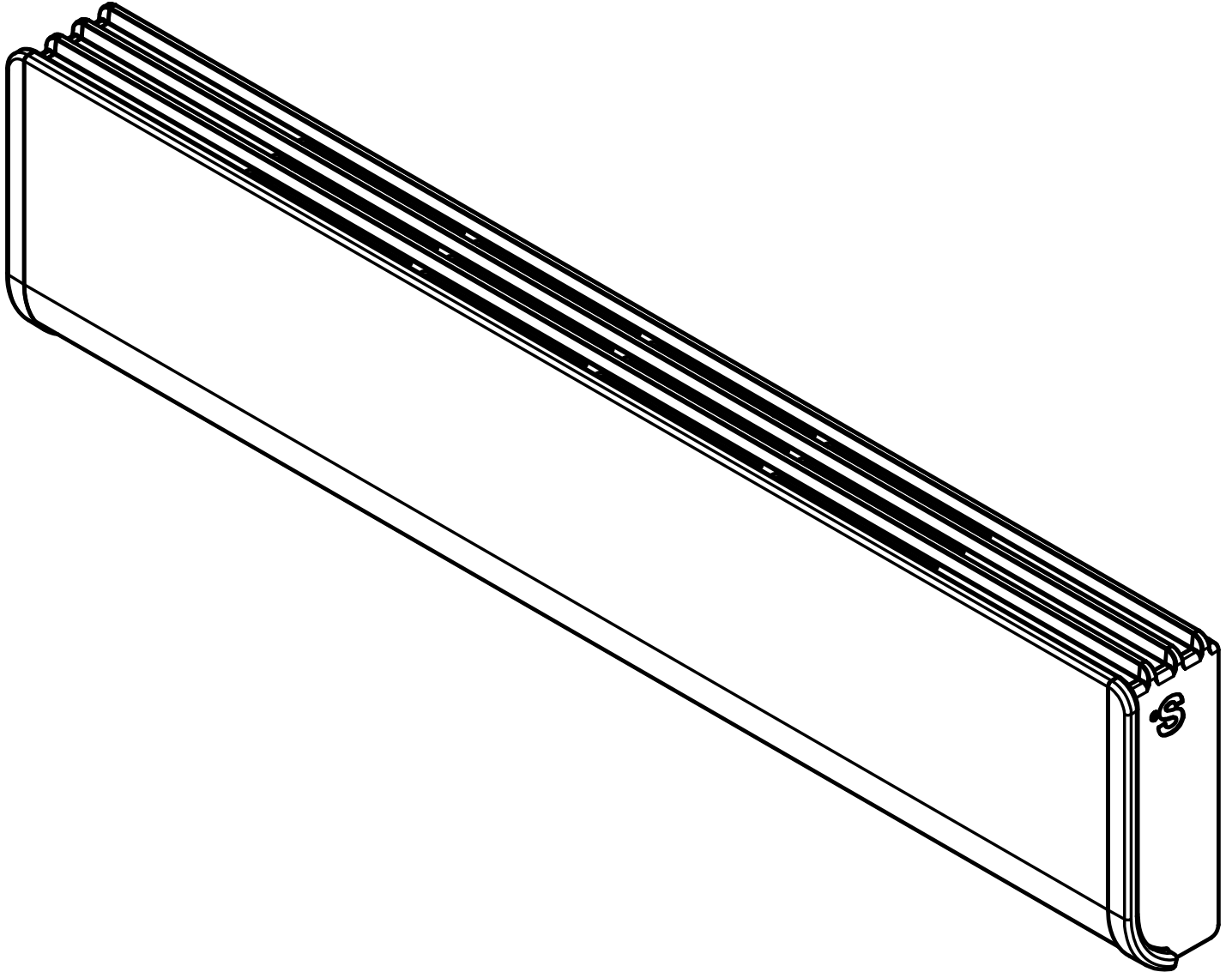




USER'S GUIDE

BA SERIES
HIGH-END BASEBOARD
REPLACEMENT COMPONENTS LIST INCLUDED



This unit
complies with
the CSA and
UL standards



WARNING

IMPORTANT INSTRUCTIONS

Before installing and operating this product, the user and/or installer must read, understand and follow these instructions and keep them handy for future reference. If these instructions are not followed, the warranty will be considered null and void and the manufacturer deems no further responsibility for this product. This product must be installed by a qualified person and connected by a **certified electrician**, according to the **electrical and building codes** effective in your region.

The following instructions must be adhered to in order to avoid personal injuries or property damages, serious injuries and potentially fatal electric shocks.

Protect the heating unit with the appropriate circuit breaker or fuse, in accordance with the nameplate.

Make sure the line voltage (volt) is consistent with that indicated on the unit's nameplate.

This unit must be **grounded**.

Switch off the power at the circuit breaker/fuse before installing, repairing and cleaning the unit.

Make sure the unit is appropriate for the intended use (if needed, refer to the product catalog or a representative).

RECOMMENDED HEATING CAPACITY: 1.25 W/cubic foot (0.03 m³).

It corresponds to **10 W/square foot (0.09 m²)** based on a standard ceiling height of 8 feet (2.44 m). The recommended capacity is usually sufficient for normal heating needs. Please note that the insulation quality of walls and windows are some of the factors that influence heat losses, which modify the required capacity to heat a room. If needed, refer to a specialist who will be able to calculate these heat losses and optimize the required capacity or consult the "Online heating calculation" section of the Stelpro Design Web site (residential buildings). To heat a large room and increase your comfort, it is recommended to install several units instead of one. For example, 2 X 1000 W rather than 1 X 2000 W.

Do not install the unit where objects or pieces of furniture could be heat damaged.

If the unit's capacity is insufficient for the size of the room, it will be in operation continuously, and may become defective earlier and turn yellow.

Respect distances and positions indicated in the installation section.

If the installer or user modifies the unit, they will be held responsible for any damage resulting from this modification, and the CSA certification could be void.

This unit must not come into contact with a water source and must be protected from splashes (e.g. a wet mop). Do not use it if any part has been immersed. Moreover, do not turn it on or off when standing in water or if your hands are wet.

When cutting or drilling into a wall, do not damage electrical wiring and other hidden utilities.

Do not install this product on walls made of synthetic material such as, but not limited to, carpet and wallpaper.

When starting up the unit for the first time or after a long period, it is normal that it produces some temporary odours and whitish smoke.

Because this unit is hot when in use, it may pose risks even in normal operation. Therefore, be **careful** and **responsible** when using it. To avoid burns, do not let bare skin touch hot surfaces. Let the unit cool down for few minutes before handling (it will stay warm for some time after shut-down). If provided, use handles when moving this heater.

Leave at least **3 inches (7.5 cm)** between the front of the unit and objects that have a ground clearance of at least 1 inch (2.5 cm) such as, but not limited to, beds, tables, armchairs, curtains, etc. If these objects are located directly on the floor, leave at least **6 inches (15 cm)** between them and the front of the unit. Leave at least **6 inches (15 cm)** of space between the top of the unit and objects such as, but not limited to furniture, pillows, curtains, blankets, towels, laundry baskets, clothing, papers, etc. Furthermore, certain materials are more sensitive to heat than others, you must assure that these materials are located at a proper proximity where they can handle the heat released.

Do not install on a wall behind a door.

Never block air vents. This obstruction could lead to overheating, which could result in a fire. Do not use on soft surfaces, like a bed, where openings may become blocked. Do not place a carpet or rug in front of the unit.

Do not insert or allow foreign objects to enter any air vent as this may cause electric shocks, a fire, or damages to the unit.

This unit has hot and arcing or sparking parts inside. It is not designed to be used or stored in wet areas or areas containing flammable liquids, combustible materials or corrosive, abrasive, chemical, explosive and flammable substances such as, but not limited to, gasoline, paint, chlorine, sawdust and cleaning products.

Some areas are dustier than others. Thus, it is the user's responsibility to evaluate if the unit must be cleaned based on the amount of dirt accumulated on and inside air vents. Accumulated dirt can lead to a component malfunction or give a yellowish colour to unit. Failure to install and maintain unit in accordance with these instructions poses a fire hazard.

Thermal protection activation indicates that the unit has been subjected to abnormal operating conditions. If the thermal protection remains activated or activates and deactivates repeatedly, it is recommended that a qualified electrician or a certified repair centre examine the unit in order to make sure it is not damaged. (Refer to the LIMITED WARRANTY)

If the unit is damaged or defective, cut off power supply at circuit breaker and call a certified repair centre. (Refer to the LIMITED WARRANTY)

SAVE THESE INSTRUCTIONS

NOTE: When a part of the product specification must be changed to improve operability or other functions, priority is given to the product specification itself. In such instances, the instruction manual may not entirely match all the functions of the actual product. Therefore, the actual product and packaging, as well as the name and illustration, may differ from the manual.

SPECIFICATIONS, TECHNICAL DRAWINGS & INSTALLATION

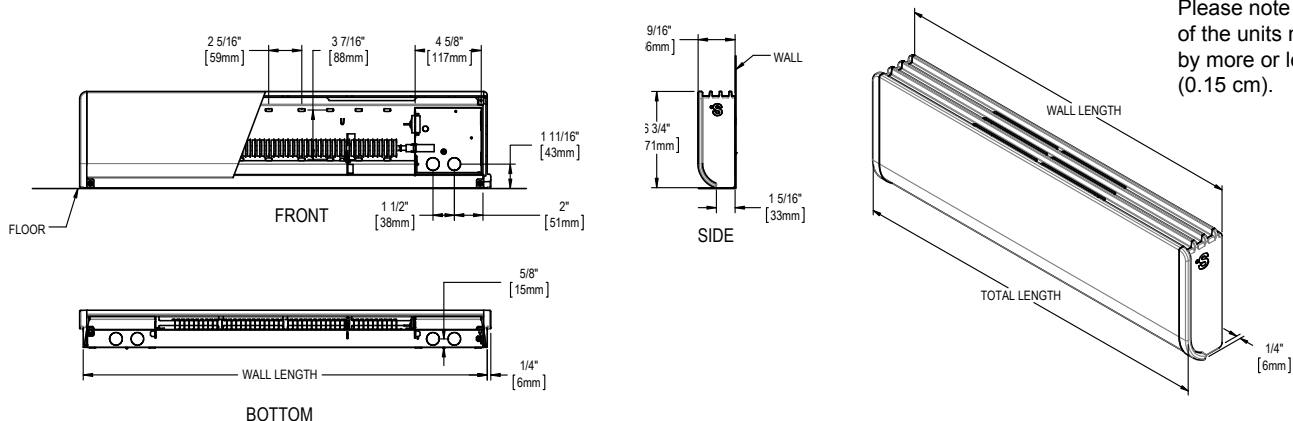
SPECIFICATIONS

DENSITY 250 W PER FEET			WALL LENGTH†		DENSITY 150 W PER FEET			WALL LENGTH†	
CODE	WATTS	VOLTS	MM	IN.	CODE	WATTS	VOLTS	MM	IN.
BA0302W	300	240**	516	20 5/16	---	---	---	---	---
BA0502W	500	240**	719	28 5/16	BAL0302*	300	240**	719	28 5/16
BA0752W	750	240**	965	38	BAL0452*	450	240**	965	38
BA1002W	1000	240**	1217	47 7/8	BAL0602*	600	240**	1217	47 7/8
BA1202W	1250	240**	1466	57 11/16	BAL0752*	750	240**	1466	57 11/16
BA1502W	1500	240**	1694	66 11/16	BAL0902*	900	240**	1694	66 11/16
BA1752W	1750	240**	1941	76 3/8	BAL1052*	1050	240**	1941	76 3/8
BA2002W	2000	240**	2141	84 5/16	BAL1202*	1200	240**	2141	84 5/16
BA2252W	2250	240**	2393	94 3/16	BAL1352*	1350	240**	2393	94 3/16
BA2502W	2500	240**	2616	103	BAL1502*	1500	240**	2616	103

†To obtain the total length, add 1/2 in. (13 mm) to the wall length. See technical drawings.

**Other voltages available: 120 V, 208 V, 277 V, 347 V, 480 V and 600 V

TECHNICAL DRAWINGS



Please note that the width of the units may vary by more or less 1/16 in. (0.15 cm).

INSTALLATION

IMPORTANT NOTES PERTAINING TO THE INSTALLATION

N.B. Cut off power supply at circuit breaker/fuse before proceeding to the installation.

Do not place a carpet or rug in front of the unit.

- To install a thermostat kit or relay, refer to the appropriate user guide. Grounding must be made by connecting the ground wire (bare wire) coming from the circuit breaker panel to the green screw located inside the junction box of the heater.
- After the baseboard heater has been tightened to the wall using the mounting holes provided, loosen the mounting screws half a turn to allow for metal expansion.
- Do not install the baseboard below an electrical outlet

N.B. The illustration indicates the airflow generated by the baseboard heater.

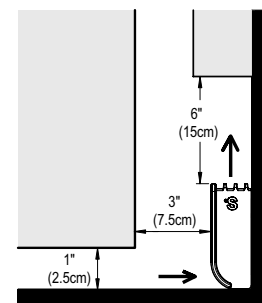
This air corridor must remain clear in order to allow the unit to operate efficiently; to ensure good air circulation and to avoid a fire hazard.

Leave at least 3 inches (7.5 cm) between the front of the unit and objects that have a ground clearance of at least 1 inch (2.5 cm) such as, but not limited to, beds, tables, armchairs, curtains, etc. If these objects are located directly on the floor, leave at least 6 inches (15 cm) between them and the front of the unit. Leave at least 6 inches (15 cm) of space between the top of the unit and objects such as, but not limited to furniture, pillows, curtains, blankets, towels, laundry baskets, clothing, papers, etc. Furthermore, certain materials are more sensitive to heat than others, you must assure that these materials are located at a proper proximity where they can handle the heat released. Do not install the baseboard under an electrical outlet.

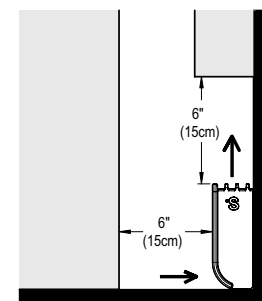
The junction boxes volume is 52.5 po³ (860.3 cm³)

CLEARANCE REQUIRED

Between the front of the unit and objects that have a ground clearance of at least 1 inch (2.5 cm)

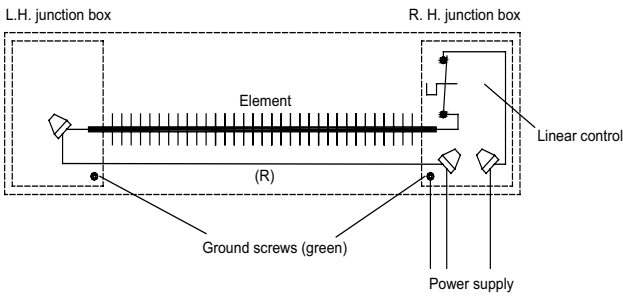


Between the front of the unit and objects located directly on the floor



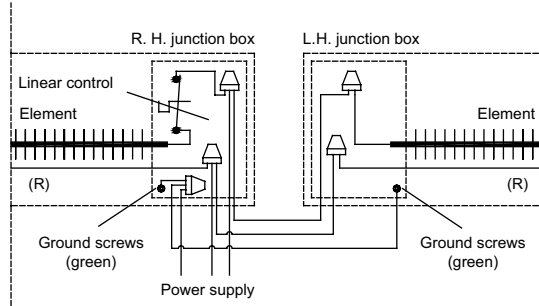
INSTALLATION & MAINTENANCE

ELECTRICAL WIRING



SINGLE BASEBOARD WIRING

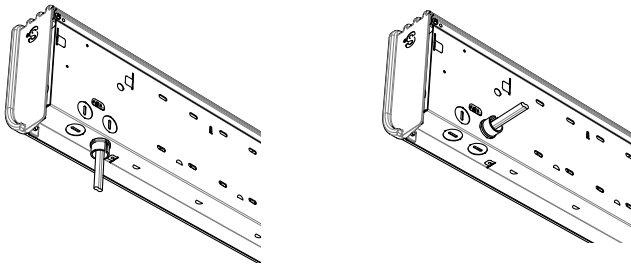
The baseboard can be wired to a power supply from either end. Remove twist-on connector from selected junction box and secure the power leads.



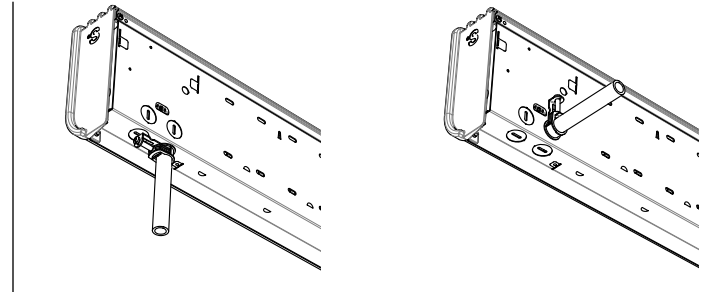
MULTIPLE BASEBOARDS WIRING*

Power connections can be made in either junction box of any heater.
*Ground continuity must be maintained between heaters that are physically joined to each other and that are supplied from the same branch circuit.

USING UNIVERSAL CABLE CLAMP



INSTALLATION WITH EMT CONDUIT



MAINTENANCE



N.B. The unit should be cleaned at least once a year. All other servicing is to be done by qualified service personnel. This unit must be cleaned regularly in order for the warranty to be valid. Make sure the power has been turned off at the circuit breaker panel and that the heating element has cooled before cleaning the unit or before removing front panel for cleaning and lubrication.

Use a soft rag for dusting. When cleaning, use only a damp rag and non-abrasive dish soap. If you use a cleaning product, always wipe the product off properly to avoid the discoloration of the unit. Do not use abrasive or chemical cleaners because they may damage the finishing. If the unit is used in a very dusty location, use a vacuum brush to remove dust and other foreign objects from the grilles. Note that cigarette smoke could yellow the discharge grille and that the best way to prevent it is to clean the unit on a regular basis.

Don't forget to replace front panel (with the screws that were removed) if it was removed for cleaning. Restore the power when cleaning or lubrication work is complete.

WARNING

Do not use cleaning products identified with these symbols:



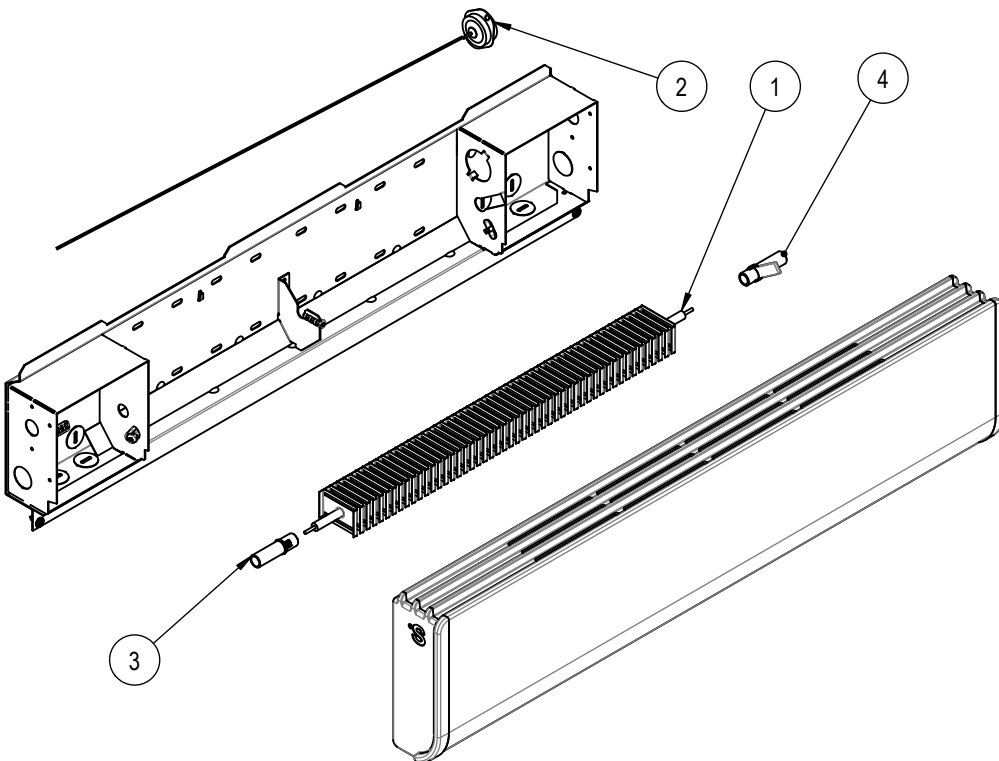
N.B. Note that there is electrical current linked to the unit even if the thermostat is set off. This means that there is a risk of electric shock as long as the unit is energized.

REPLACEMENT COMPONENT LIST

REPLACEMENT COMPONENT LIST

REF. #	PART #	DESCRIPTION	DENSITY
1	EB0300-***	ELEMENT EB 300W	MEDIUM
1	EB0500-***	ELEMENT EB 500W	MEDIUM
1	EB0750-***	ELEMENT EB 750W	MEDIUM
1	EB1000-***	ELEMENT EB 1000W	MEDIUM
1	EB1250-***	ELEMENT EB 1250W	MEDIUM
1	EB1500-***	ELEMENT EB 1500W	MEDIUM
1	EB1750-***	ELEMENT EB 1750W	MEDIUM
1	EB2000-***	ELEMENT EB 2000W	MEDIUM
1	EB2250-***	ELEMENT EB 2250W	MEDIUM
1	EB2500-***	ELEMENT EB 2500W	MEDIUM
1	EBAL0300-***	ELEMENT EBAL 300 W	LOW
1	EBAL0450-***	ELEMENT EBAL 450 W	LOW
1	EBAL0600-***	ELEMENT EBAL 600 W	LOW
1	EBAL0750-***	ELEMENT EBAL 750 W	LOW
1	EBAL0900-***	ELEMENT EBAL 900 W	LOW
1	EBAL1050-***	ELEMENT EBAL 1050 W	LOW
1	EBAL1200-***	ELEMENT EBAL 1200 W	LOW
1	EBAL1350-***	ELEMENT EBAL 1350 W	LOW
1	EBAL1500-***	ELEMENT EBAL 1500 W	LOW
2	PROT-091	LINEAR THERMAL PROTECTION BA 300W/500W - BAL 300W	MEDIUM / LOW
2	PROT-092	LINEAR THERMAL PROTECTION BA 750W - BAL 450W	MEDIUM / LOW
2	PROT-093	LINEAR THERMAL PROTECTION BA 1000W - BAL 600W	MEDIUM / LOW
2	PROT-094	LINEAR THERMAL PROTECTION BA 1250W - BAL 750W	MEDIUM / LOW
2	PROT-095	LINEAR THERMAL PROTECTION BA 1500W - BAL 900W	MEDIUM / LOW
2	PROT-096	LINEAR THERMAL PROTECTION BA 1750W - BAL 1050W	MEDIUM / LOW
2	PROT-097	LINEAR THERMAL PROTECTION BA 2000W - BAL 1200W	MEDIUM / LOW
2	PROT-098	LINEAR THERMAL PROTECTION BA 2250W - BAL 1350W	MEDIUM / LOW
2	PROT-099	LINEAR THERMAL PROTECTION BA 2500W - BAL 1500W	MEDIUM / LOW
3	SB-024	SNAP-IN BUSHING FOR BASEBOARD ELEMENT	
4	SB-032	SNAP-IN BUSHING FOR BASEBOARD ELEMENT	

***= VOLTAGE



TROUBLESHOOTING

PROBLEM	DEFECTIVE PART OR PART TO CHECK
The unit does not work	<ul style="list-style-type: none"> Defective thermostat or wrong thermostat setting Open circuit breaker or fuse Thermal protection activated Faulty connections
The unit runs continuously	<ul style="list-style-type: none"> Defective thermostat or wrong thermostat setting Heat losses greater than the unit's capacity
The enclosure is extremely hot	<ul style="list-style-type: none"> Defective thermal protection Blocked air vents
The unit cycles under control of the thermal protection (over-heat indicator)	<ul style="list-style-type: none"> Blocked air vents
Overheating	<ul style="list-style-type: none"> Defective thermostat or wrong thermostat setting
The breaker trips when the heater is turned on	<ul style="list-style-type: none"> Faulty connections Voltage higher than that indicated on the nameplate
The desired room temperature cannot be reached	<ul style="list-style-type: none"> One or more defective elements Defective thermostat or wrong thermostat setting Voltage lower than that indicated on the nameplate Heat losses greater than the unit's capacity

N.B. If you do not solve the problem after checking these points, cut off the power supply at the main electrical panel and contact our customer service (please refer to the limited warranty to obtain the phone numbers).

LIMITED WARRANTY

This limited warranty is offered by Stelpro Design Inc. ("Stelpro") and applies to the following product made by Stelpro: model BA. **Please read this limited warranty carefully.** Subject to the terms of this warranty, Stelpro warrants its products and their components against defects in workmanship and/or materials for the following periods from the date of purchase: **5 years and lifetime warranty on the heating element (for first end user)**. This warranty applies only to the original purchaser; it is non-transferable and cannot be extended.

CLAIM PROCEDURE

If at any time during the warranty period the unit becomes defective, you must cut off the power supply at the main electrical panel and contact 1) your installer or distributor, 2) your service center or 3) Stelpro's customer service department. In all cases, you must have a **copy of the invoice** and provide the **information written on the product nameplate**. Stelpro reserves the right to examine or to ask one of its representatives to examine the product itself or any part of it before honoring the warranty. Stelpro reserves the right to replace the entire unit, refund its purchase price or repair a defective part. Please note that repairs made within the warranty period must be authorized in advance in writing by Stelpro and carried out by persons authorized by Stelpro.

Before returning a product to Stelpro, you must have a Stelpro authorization number (RMA). To obtain it, call the customer service department at: **1-800-363-3414** (electricians and distributors - French), **1-800-343-1022** (electricians and distributors - English), or **1-866-766-6020** (consumers). The authorization number must be clearly written on the parcel or it will be refused.

CONDITIONS, EXCLUSIONS AND DISCLAIMER OF LIABILITY

This warranty is exclusive and in lieu of all other representations and warranties (except of title), expressed or implied, and Stelpro expressly disclaims and excludes any implied warranty of merchantability or implied warranty of fitness for a particular purpose.

Stelpro's liability with respect to products is limited as provided above. Stelpro shall not be subject to any other obligations or liabilities whatsoever, whether based on contract, tort or other theories of law, with respect to goods or services furnished by it, or any undertakings, acts or omissions relating thereto. Without limiting the generality of the foregoing, Stelpro expressly disclaims any liability for property or personal injury damages, penalties, special or punitive damages, damages for lost profits, loss of use of equipment, cost of capital, cost of substitute products, facilities or services, shutdowns, slowdowns, or for other types of economic loss or for claims of a dealer's customers or any third party for such damages. Stelpro specifically disclaims all consequential, incidental and contingent damages whatsoever.

This warranty does not cover any damages or failures resulting from: 1) a faulty installation or improper storage; 2) an abusive or abnormal use, lack of maintenance, improper maintenance (other than that prescribed by Stelpro) or a use other than that for which the unit was designed; 3) a natural disaster or an event out of Stelpro's control, including, but not limited to, hurricanes, tornadoes, earthquakes, terrorist attacks, wars, overvoltage, flooding, water damages, etc. This warranty does not cover any accidental or intentional losses or damages, nor does it cover damages caused by negligence of the user or owner of the product. Moreover, it does not cover the cost of disconnection, transport, and installation.

The warranty is limited to the repair or the replacement of the unit or the refund of its purchase price, **at the discretion of Stelpro**. Any parts replaced or repaired within the warranty period with the written authorization of Stelpro will be warranted for the remainder of the original warranty period. This warranty will be considered null and void and Stelpro will have the right to refuse any claims if **products have been altered** without the written authorization of Stelpro and if the nameplate numbers have been removed or modified. This warranty does not cover scratches, dents, corrosion or discoloration caused by excessive heat, chemical cleaning products and abrasive agents. It does not cover any damage that occurred during the shipping.

Some states and provinces do not allow the exclusion or limitation of incidental or consequential damages and some of them do not allow limitations on how long an implied warranty lasts, so these exclusions or limitations may not apply to you. This warranty gives you specific legal rights and you may have other rights which vary from state to state or from province to province.