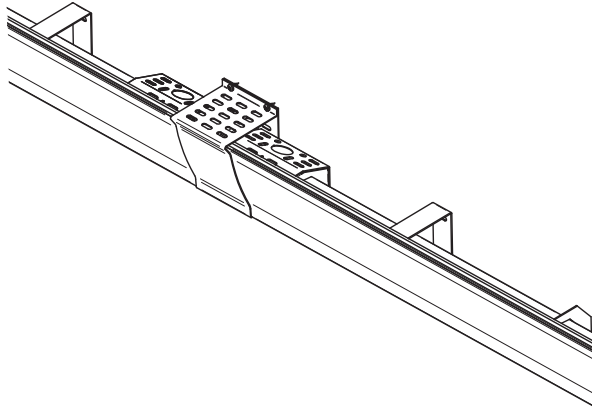


INSTALLER'S GUIDE

SCRSP SERIES - SPLICE PLATE



WARNING

Before installing and operating this product, the user and/or installer must read, understand and follow these instructions and keep them handy for future reference. If these instructions are not followed, the warranty will be considered null and void and the manufacturer deems no further responsibility for this product.

The following instructions must be adhered to in order to avoid personal and serious injuries, property damages and potentially fatal electric shocks.

Switch off the power at the circuit breaker/fuse before installing, repairing and cleaning the unit.

Make sure the unit is appropriate for the intended use (if needed, refer to the product catalogue or a representative).

Prior to installing the two radiators, the end covers facing each other need to be removed from both units. Install them both according to the instructions described in the SCR User's Guide included with the units.

Make sure to leave a space between the two units to allow for metal expansion during the heating cycle. See THE MINIMUM SPACE TABLE below for the minimum required space depending on the model. To simplify the task of making the electrical connections in the junction boxes, you may temporarily position one unit further away; and once the connections are made, to disengage only the bottom clips of the wall brackets of that unit, slide the unit to the proper spacing between the units and re-engage the clips.

CHOICE OF ELECTRICAL POWER SUPPLY CONNECTIONS

POWER SUPPLY CONNECTION AT ONE OF THE EXTREMITIES

To do so, you must proceed with the electrical connections shown in FIGURE 1 (see next page) for both the center connections and for the extremity connections, and plan for a spacing between the units according to the MINIMUM SPACE TABLE.

POWER SUPPLY CONNECTION IN THE MIDDLE

If you choose making the power supply connections in the middle of both units, it must be done according to FIGURE 2 (see next page) and proceed with one of the following methods depending on the choice of knockout hole.

1 - USING THE KNOCKOUT HOLE AT THE BACK PART OF THE SPLICE PLATE

Space the units equally or larger than the minimum listed in the MINIMUM SPACE TABLE, keep in mind this space must be at least equivalent to the diameter of the cable fitting or the conduit fitting (whichever is the case) that will be used in the knockout hole. Install the fitting on the back part of the splice plate, pass the cable through it and fasten it in place. Make the electrical connections according to FIGURE 2 (see next page).

2 - USING A KNOCKOUT HOLE FROM ONE OF THE RADIATORS' JUNCTION BOX

Space the units equally or larger than the minimum listed in the MINIMUM SPACE TABLE, make sure it is large enough to allow the insertion of the cable fitting or conduit fitting (whichever is the case). Install the fitting and proceed with the electrical connections according to FIGURE 2 (see next page).

MINIMUM SPACE TABLE

MINIMUM SPACE BETWEEN TWO IDENTICAL RADIATORS INSTALLED SIDE BY SIDE

MODEL #	POWER - WATTS	MINIMUM SPACE - INCH (MM)
SCR045	450	7/16 (11)
SCR060	600	9/16 (14)
SCR075	750	11/16 (17)
SCR090	900	3/4 (19)
SCR105	1050	7/8 (22)
SCR120	1200	1 (25)
SCR150	1500	1-1/8 (29)

FIGURE 1

2 OR MORE HEATERS
WITH POWER SUPPLY FROM ONE EXTREMITY

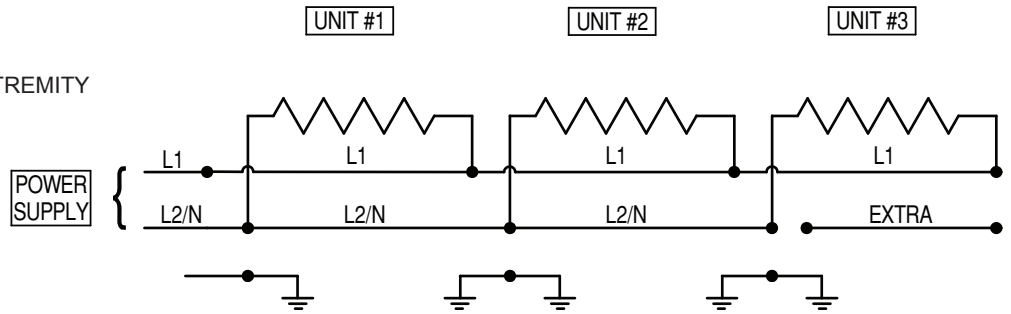
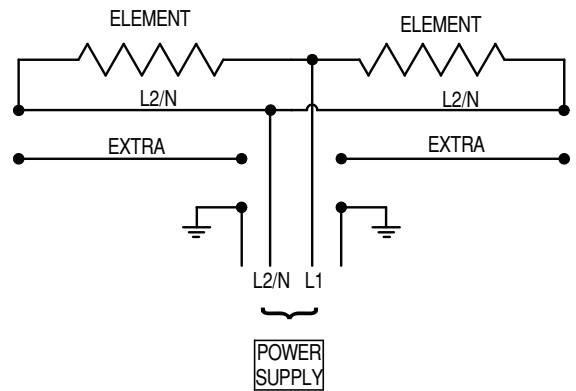


FIGURE 2

2 HEATERS
WITH POWER SUPPLY IN THE MIDDLE



SPLICE PLATE PARTS INSTALLATION

Once the electrical connections are done and the two radiators are installed, install the splice plate according to the following instructions, referring to FIGURE 3.

1 - FRONT PART INSTALLATION

Insert the front part (1) of the plate on the front of the two units by first pushing the bottom portion. (WARNING: DO NOT SLIDE THIS PART OF THE PLATE ALONG THE LENGTH OF THE UNIT AS THIS WILL DAMAGE THE PAINT ON THE FRONT OF THE UNIT.) Pass the bottom portion under and behind the units, while retaining the top portion near the top edge of the radiators. Once the bottom portion of the front part of the splice plate is inserted, lift the top portion slightly and push it into place towards the back of the units.

2 - BACK PART INSTALLATION

Place the back part (2) of the splice plate behind the two units, facing the meeting points with the front part (1). First align and insert the hooks at the bottom with the slots at the bottom of the front part (1). Then, assemble the top of each part and fasten with the screws (3) provided.

FIGURE 3

