

INSTALLATION INSTRUCTIONS FOR STELPRO SURFACE MOUNTED DRYER (SHDLPBH76 SERIES)

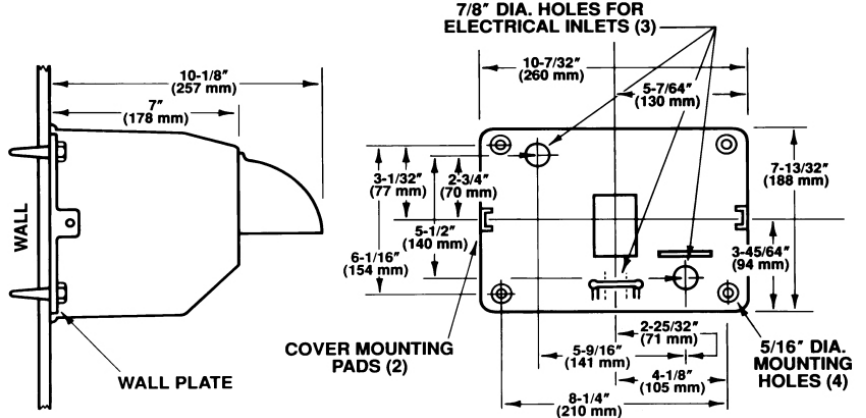
**FOR PROPER ELECTRICAL CONNECTIONS, CHECK YOUR LOCAL BUILDING CODES.
YOUR UNIT MUST BE INSTALLED BY A QUALIFIED, LICENSED ELECTRICIAN.**

Suggested heights from floor to bottom of dryer

	HAND DRYER	HAIR DRYER
Men	40" (102 cm)	64" (163 cm)
Ladies	38" (97 cm)	58" (147 cm)
Teenagers	36" (91 cm)	56" (142 cm)
Children	30" (76 cm)	43" (109 cm)
Handicapped	32" (81 cm)	45" (114 cm)

Recommended fastener

Masonry wall	½" expansion sleeve with ¼" lag bolt
Hollow wall	¼" wing type through bolt
Wooden wall	¼" lag screw with washer



1. Remove cover by unscrewing two tamper-proof bolts from the sides of the dryer with special wrench provided with each unit.
2. Attach wall plate assembly to smooth wall using the recommended type of fastener (see above).
3. Connect a 120V dryer to no more than a 20 A branch circuit using at least a #12 GA copper wire. Connect a 208V or 240V dryer to no more than a 15 A branch circuit using at least a #14 GA copper wire.
4. Attach lines to terminals as indicated by the electrical diagram inside dryer cover. Be sure that an equipment ground wire is securely fastened to the wall plate. For runs over 50 feet or for multiple installations, increase the size of the wire used. Dryers should be installed as electrical and building codes require in your region.
5. Before replacing cover, check the serial number marked inside the dryer to be sure it matches the serial number under the cover.

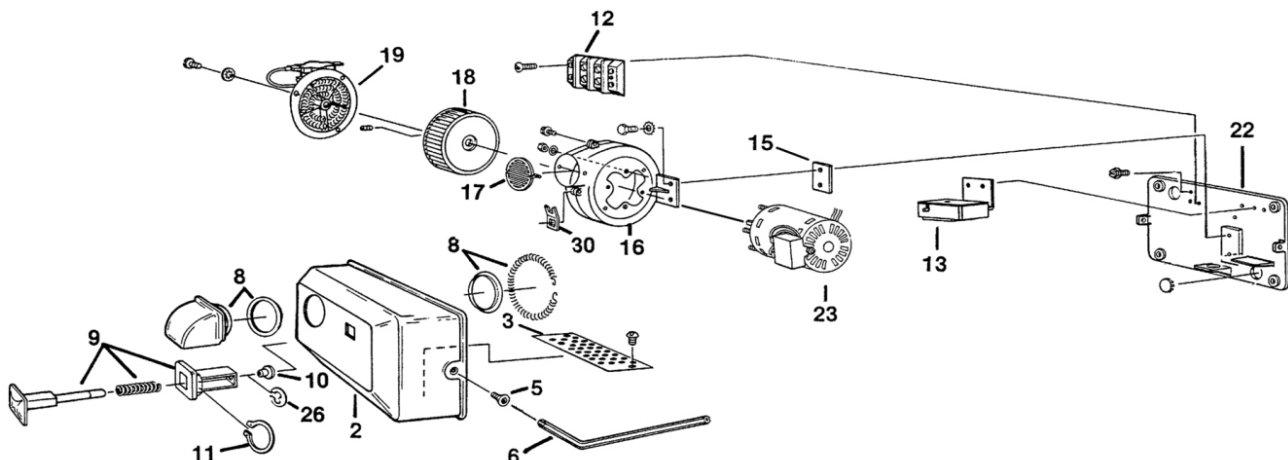
PLEASE DO NOT SWITCH COVERS. DO NOT FORGET TO LEAVE THE SPECIAL TAMPER PROOF WRENCH TO THE OWNER.

NOTE: Upon completing installation and checking for proper operation, it is **highly** recommended that a bead of **silicone sealant** be placed around the outside of the cover at the wall to protect dryer from internal corrosion caused by wash water and cleaning solutions.

PARTS LIST FOR SURFACE-MOUNTED DRYER

Model, serial number and voltage of dryer must be provided when ordering parts

<u>REF NO.</u>	<u>DESCRIPTION</u>	<u>REF NO.</u>	<u>DESCRIPTION</u>
2	Cover – white or chrome	15	Blower housing mounting pad
3	Inlet grille	16	Blower housing
5	Tamper-proof bolt	17	Blower grille
6	Tamper-proof wrench	18	Blower wheel
8	Nozzle (with spring & washer)	19	Heating element assembly
9	Push button assembly (incl. #10, #11, #26)	22	Wall plate
10	Push button tip	23	Motor
11	Push button snap ring	26	Push button e-ring
12	Terminal block	30	Nozzle fixer
13	Timer		



⚡ DISCONNECT ELECTRICAL SUPPLY TO DRYER PRIOR TO CLEANING OR SERVICING ⚡

CLEANING INSTRUCTIONS

OUTSIDE

Gently wash the cover (including the inlet grille) using a soft cloth or sponge and mild soap or detergent with water. DO NOT USE ABRASIVE OR HIGHLY ALKALINE CLEANERS. NEVER SCRAPE WITH RAZOR BLADE OR OTHER SHARP INSTRUMENT. BENEZENE, LEADED GASOLINE, ACETONE OR CARBON TETRACHLORIDE SHOULD NEVER BE USED.

INSIDE

With normal use, dryer will require cleaning once a year. Heavier usage requires more frequent cleaning. Lint on the inlet grille, fan or other internal parts of dryer will reduce efficiency and shorten the life of the working parts. To clean the unit, remove the cover by unscrewing the tamper-proof bolts from cover with the special wrench provided with each dryer. Use a small, soft brush to gently clean all parts. Don't forget to inspect for missing or broken parts.

TROUBLESHOOTING

As with any electrical appliance, repairs to be performed by qualified service personnel

If your dryer does not shut off

Check for loose, disconnected or improper wiring at dryer timer.
If ok, replace the dryer timer.

If your dryer does not turn on

First, verify that the dryer circuit breaker is on.
Then, check voltage to dryer terminal block.
Check for loose wires on dryer timer or broken push button tip.
Check to see if push button assembly is sticking.
If ok, replace dryer timer.

If your dryer does not always turn on

Check for loose wires on dryer timer or broken push button tip.
If ok, replace dryer timer.

If your dryer heats up but no air comes out

Check to see if your blower wheel is jammed.
Check to see if motor is hot. If hot, let cool for 10 minutes
to reset motor's internal circuit breaker.
If cool, replace motor.

If your dryer blows only cold air

Check for loose wires on heating element.
If ok, replace heating element.

LIMITED WARRANTY FOR STOCK #SHDLPBH76C

This unit is guaranteed three (3) years. If in this period of time the unit becomes defective, it must be returned to the place of purchase with a copy of the invoice, or simply contact our customer service department (with a copy of the invoice in hand). **In order for the warranty to be valid, the unit must be installed according to the instructions and well maintained.**



Stelpro Design Inc.
Saint-Bruno-de-Montarville, QC J3V 6L7
www.stelpro.com