

# INSTALLATION INSTRUCTIONS FOR STELPRO XLERATOR® HAND DRYER (SHDXL SERIES)

**FOR PROPER ELECTRICAL CONNECTIONS, CHECK YOUR LOCAL BUILDING CODES.  
YOUR UNIT MUST BE INSTALLED BY A QUALIFIED, LICENSED ELECTRICIAN.**

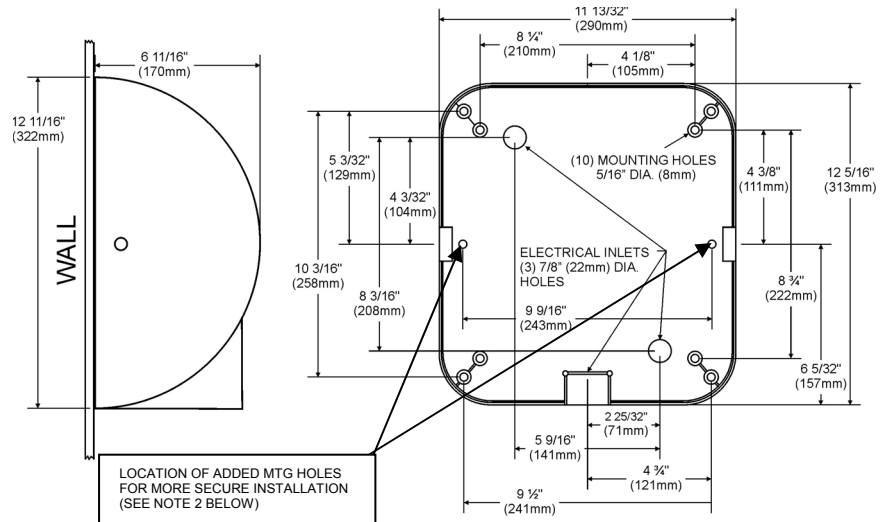
### Suggested Mtg. Heights from floor to bottom of dryer

Men's	45" (109 cm)
Ladies'	43" (104 cm)
Teenagers'	41" (99 cm)
Sm. Children	35" (84 cm)
Handicapped	37" (89 cm)

IF MOUNTING OVER COUNTERTOP, DISTANCE FROM COUNTER TO DRYER MUST BE 15" (381mm) **MINIMUM**

### Recommended Fastener

Masonry Wall	½" expansion sleeve with ¼" lag bolt
Hollow Wall	¼" wing type through bolt
Wooden Wall	¼" lag screw with washer

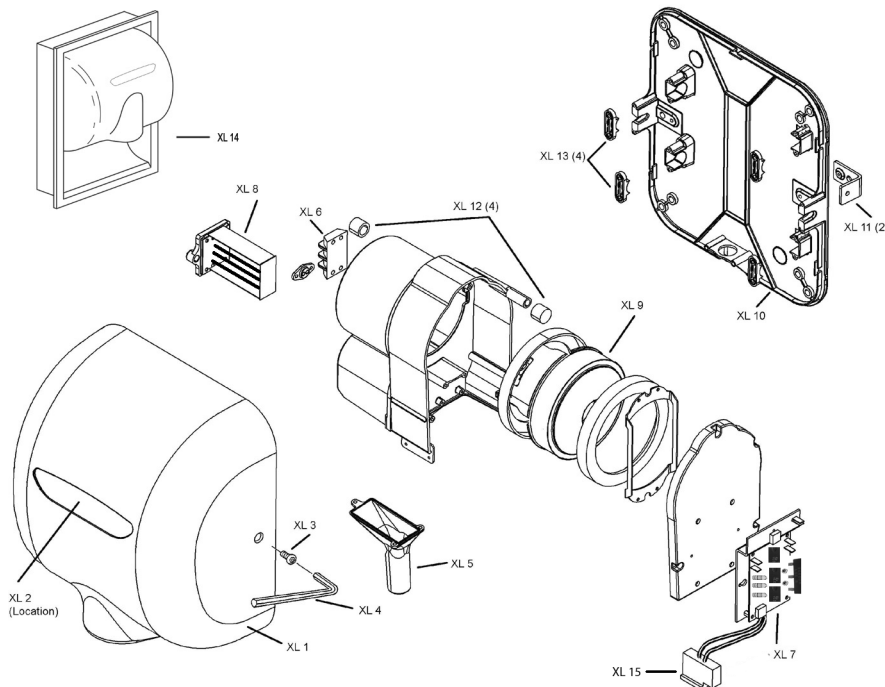


1. Remove cover of dryer by unscrewing two tamper-proof bolts from the sides of the cover with the special wrench provided with each unit.
2. Attach wall plate at the four corners to smooth wall. In locations where vandalism is a concern, use the two additional mounting holes shown. Remove control assembly to access right side mounting hole. Attach with the following recommended type of fastener (see above).
3. Connect a 110/120V dryer to a 15 Amp. branch circuit using at least 12 GA copper wire. (Do not exceed a 20 Amp. Branch circuit)  
Connect a 208 or 220/240V dryer to a 15 Amp. branch circuit using at least 14 GA copper wire. (Do not exceed a 15 Amp. Branch circuit)
4. Attach lines to terminals as indicated by the schematic inside dryer cover. Be sure that an equipment ground wire is securely fastened to green ground screw on base plate. For runs over 50 feet or for multiple installations, increase the size of the wire used. Dryers located in shower rooms or other wet locations should be installed with circuits protected by ground fault interrupter(s).
5. In multiple installations, before replacing cover, check the Serial Number marked inside the dryer to be sure it matches the Serial Number marked on the label at the bottom of cover. **PLEASE DO NOT SWITCH COVERS.**

**NOTE**

**TO PROTECT DRYER FROM INTERNAL CORROSION CAUSED BY WASH WATER AND CLEANING SOLUTIONS, IT IS *HIGHLY* RECOMMENDED THAT AFTER COMPLETING INSTALLATION, A BEAD OF SILICONE SEALANT BE PLACED AROUND THE OUTSIDE OF THE COVER AT THE WALL.**

## PARTS LIST FOR XLERATOR DRYER



<u>REF NO.</u>	<u>DESCRIPTION</u>
XL 1	Cover (includes Nameplate)
XL 2	Nameplate
XL 3	Tamper-proof Bolt
XL 4	Tamper-proof Wrench
XL 5	Air Outlet (includes gasket & screws)
XL 6	Terminal Block (includes screws)
XL 7	Control Assembly & Sensor
XL 8	Heating Element Assembly
XL 9	Motor Assembly (includes gaskets & wire harness)
XL 10	Wall Plate Assembly (includes mtg. brackets)
XL 11	Cover Mounting Brackets
XL 12	Housing Grogmet
XL 13	Housing Retainer
XL 14	Recess Kit (for ADA)
XL 15	Optics (Sensor)

## **CLEANING INSTRUCTIONS**

### **OUTSIDE**

Gently wash cover (including air Inlet holes) using a soft cloth or sponge and a mild soap or detergent with lukewarm water to loosen dirt and grime.

### **INSIDE - CLEANING SHOULD BE PERFORMED BY QUALIFIED SERVICE PERSONNEL**

With normal use, dryer will require cleaning once a year. Heavier usage requires more frequent cleaning. Lint on the air inlet or other internal parts of dryer will reduce efficiency and shorten the life of the working parts. To clean, remove cover by unscrewing the tamper-proof bolts from cover with the special wrench provided with each dryer. Use a small, soft brush to gently clean all parts.

## **TROUBLESHOOTING YOUR DRYER**

**AS WITH ANY ELECTRICAL APPLIANCE, REPAIRS TO BE PERFORMED BY QUALIFIED SERVICE PERSONNEL**

### **⚡ DISCONNECT ELECTRICAL SUPPLY TO DRYER PRIOR TO SERVICING ⚡**

#### ***If your dryer does not turn on***

1. Verify that the dryer is receiving power by checking electrical service, circuit breaker or fuse to the dryer. If power is OK,
2. Check voltage to dryer terminal block. If OK,
3. May be mounted too close to a counter or object. If OK,
4. Check for loose wires on dryer control and for foreign material on dryer sensor next to air outlet. If OK,
5. Replace dryer control.

#### ***If your dryer does not shut off***

1. May be mounted too close to a counter or object. If OK,
2. Check for loose, disconnected or improper wiring at dryer control. If OK,
3. Replace dryer control.

#### ***If your dryer does not always turn on, or turns on by itself***

1. May be mounted too close to a counter or object. If OK,
2. Check for foreign material on optical sensor next to air outlet. If OK,
3. Check for loose wires on dryer control. If OK,
4. Replace dryer control.

#### ***If your dryer heats up but no air comes out***

1. Check motor fuse if so equipped. If OK,
2. Replace motor.

#### ***If your dryer blows only cold air***

1. Check for loose connections to heating element. If OK,
2. Replace heating element.

#### ***If your dryer has a loss of air volume***

1. Check for air leaks at the heating element. If OK,
2. Replace heating element.

### **LIMITED WARRANTY FOR STOCK #SHDXL HAND DRYERS**

This unit is guaranteed five (5) years. If in this period of time the unit becomes defective, it must be returned to the place of purchase with a copy of the invoice, or simply contact our customer service department (with a copy of the invoice in hand). **In order for the warranty to be valid, the unit must be installed according to the instructions and well maintained.**

