

PYROBOX

**CONTROL PANEL
FOR SNOW MELTING SYSTEM**

**PYROBOX3
PYROBOX3C
PYROBOX5**

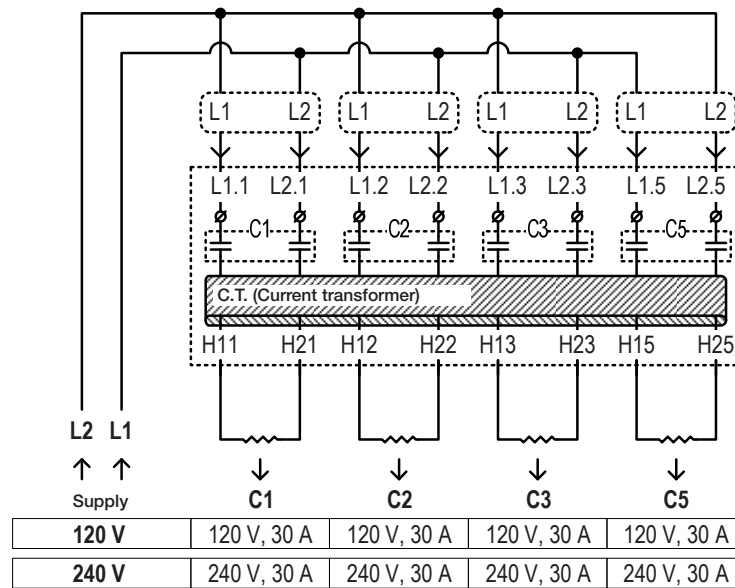
	SUPPLY	LOADS	NOTES	DRAWING	PAGE	
PYROBOX3	1 P x 120 V	120 V, 4 x 30 A		1		
	1 P x 240 V	240 V, 4 x 30 A				
PYROBOX3C	3 P x 208 V	208 V, 2 x 50 A + 208 V, 30 A	OPTION 1 1 heater per contactors C1, C2 and C5	2	2	
	3 P x 347 V	347 V, 2 x 50 A				
	3 P x 480 V	480 V, 2 x 50 A				
	3 P x 600 V	600 V, 2 x 50 A				
	3 P x 208 V	208 V, 6 x 50 A	OPTION 2 3 heaters per contactors C1-C2 (triangle) and 1 heater per contactor C5	3		
	3 P x 347 V	347 V, 6 x 50 A				
	3 P x 480 V	480 V, 6 x 50 A				
	3 P x 600 V	600 V, 6 x 50 A				
	3 P x 208 V + N	208 V, 2 x 50 A + 120 V, 30 A	OPTION 1 1 heater per contactors C1, C2 and C5 (Neutral connected to C5)	4		
	3 P x 347 V + N	347 V, 2 x 50 A + 200 V, 30 A				
	3 P x 480 V + N	480 V, 2 x 50 A + 277 V, 30 A				
	3 P x 600 V + N	600 V, 2 x 50 A				
3 P x 208 V	208 V, 6 x 50 A + 120 V, 30 A	OPTION 2 3 heaters per contactors C1-C2 (triangle) and 1 heater per contactor C5	5	3		
3 P x 347 V	347 V, 6 x 50 A + 200 V, 30 A					
3 P x 480 V	480 V, 6 x 50 A + 277 V, 30 A					
3 P x 600 V	600 V, 6 x 50 A					
3 P x 208 V + N	120 V, 2 x 50 A + 120 V, 30 A	OPTION 3 1 heater per contactors C1, C2 and C5 (Neutral connected to all contactors)	6			
3 P x 347 V + N	200 V, 2 x 50 A + 200 V, 30 A					
3 P x 480 V + N	277 V, 2 x 50 A + 277 V, 30 A					
3 P x 600 V + N	347 V, 2 x 50 A					
PYROBOX5	3 P x 208 V	208 V, 4 x 50 A + 208 V, 30 A	OPTION 1 1 heater per contactors C1-C5		7	4
	3 P x 347 V	347 V, 4 x 50 A				
	3 P x 480 V	480 V, 4 x 50 A				
	3 P x 600 V	600 V, 4 x 50 A				
	3 P x 208 V	208 V, 12 x 50 A + 208 V, 30 A	OPTION 2 3 heaters per contactors C1-C4 (triangle) and 1 heater per contactor C5	8		
	3 P x 347 V	347 V, 12 x 50 A				
	3 P x 480 V	480 V, 12 x 50 A				
	3 P x 600 V	600 V, 12 x 50 A				
	3 P x 208 V + N	208 V, 4 x 50 A + 120 V, 30 A	OPTION 1 1 heater per contactors C1-C5	9		
	3 P x 347 V + N	347 V, 4 x 50 A + 200 V, 30 A				
	3 P x 480 V + N	480 V, 4 x 50 A + 277 V, 30 A				
	3 P x 600 V + N	600 V, 4 x 50 A				
	3 P x 208 V + N	208 V, 12 x 50 A + 120 V, 30 A	OPTION 2 3 heaters per contactors C1-C4 (triangle) and 1 heater per contactor C5	10		
	3 P x 347 V + N	347 V, 12 x 50 A + 200 V, 30 A				
	3 P x 480 V + N	480 V, 12 x 50 A + 277 V, 30 A				
	3 P x 600 V + N	600 V, 12 x 50 A				
3 P x 208 V + N	120 V, 4 x 50 A + 120 V, 30 A	OPTION 3 1 heater per contactors C1-C5 (Neutral connected to all contactors)	11	6		
3 P x 347 V + N	200 V, 4 x 50 A + 200 V, 30 A					
3 P x 480 V + N	277 V, 4 x 50 A + 277 V, 30 A					
3 P x 600 V + N	347 V, 4 x 50 A					

INS-PYROBOX-WIRING_051219



PYROBOX3

1

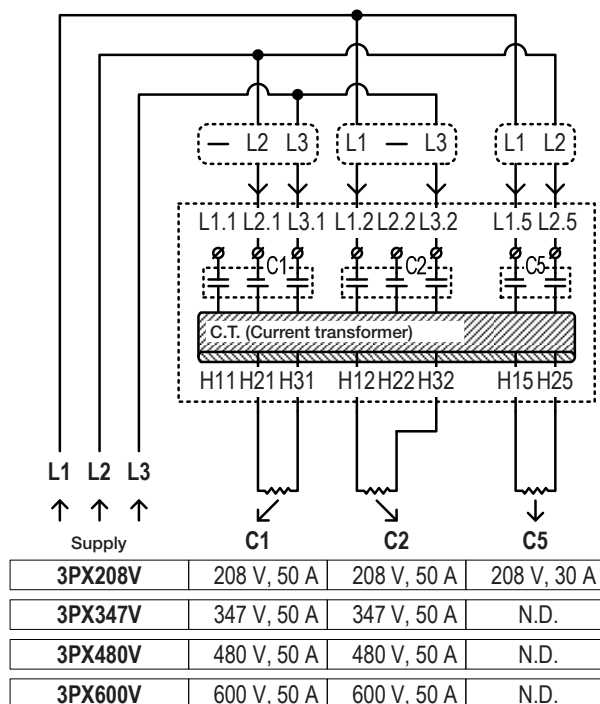


PYROBOX3C

2

OPTION 1

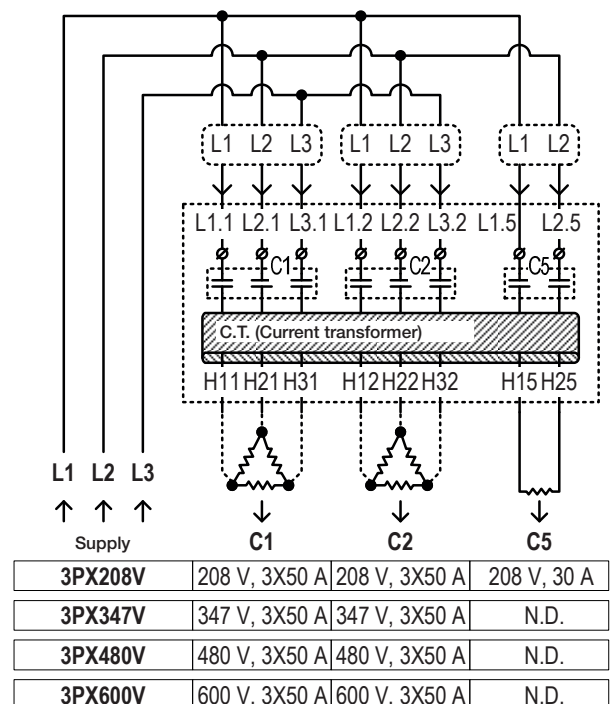
1 heater per contactors C1, C2 and C5



3

OPTION 2

3 heaters per contactors C1 and C2 (triangle transform) and 1 heater per contactor C5



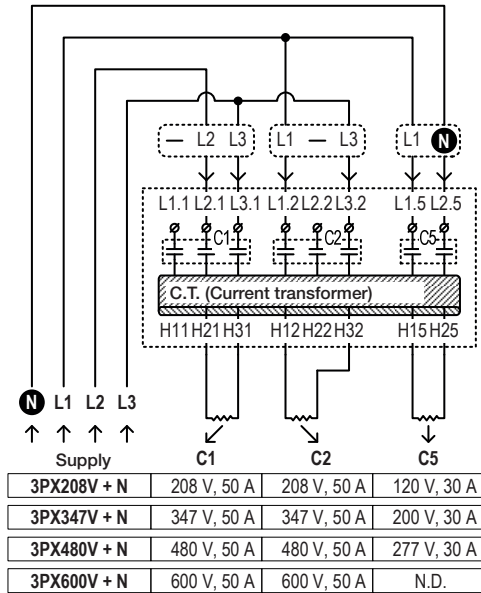
Note: Contactors 1 and 2 can be connected to any combination of 1 or 3 (triangle transform) heaters. Example: Contactor C1 can be connected to 3 heaters (triangle transform) and contactor C2 can be connected to 1 heater.

PYROBOX3C | SUPPLY 3P WITH NEUTRAL CONNECTED TO C5

4

OPTION 1

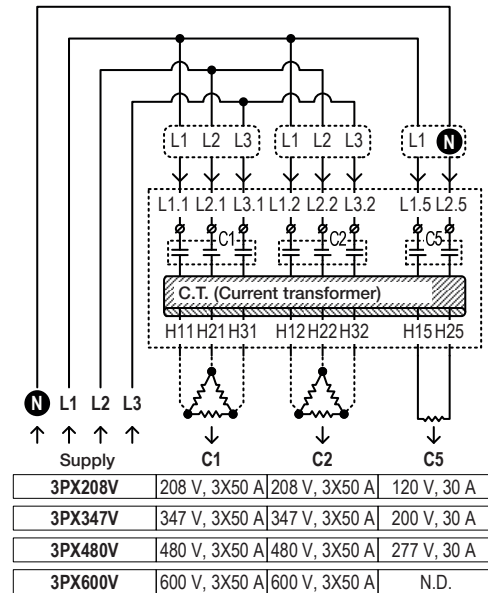
1 heater per contactors C1, C2 and C5 (Neutral connected to C5)



5

OPTION 2

3 heaters per contactors C1 and C2 (triangle transform) and 1 heater per contactor C5



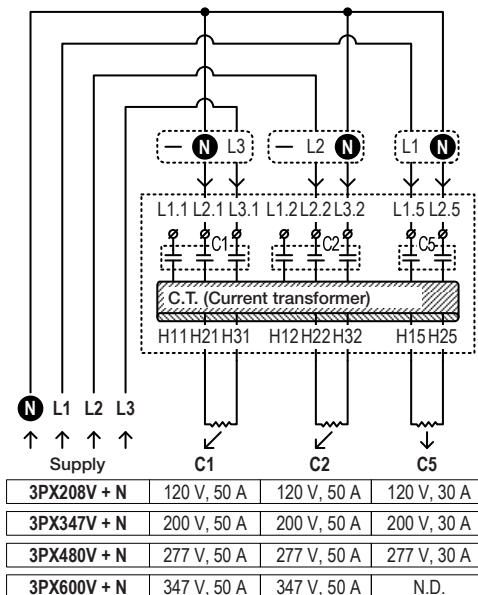
Note: Contactors 1 and 2 can be connected to any combination of 1 or 3 (triangle transform) heaters with and without neutral. Example: Contactor C1 connected to 3 heaters (triangle transform) and contactor C2 connected to 1 heater.

PYROBOX3C | SUPPLY 3P WITH NEUTRAL CONNECTED TO ALL CONTACTORS

6

OPTION 3

1 heater per contactors C1, C2 and C5
(Neutral connected to C1, C2 and C5)



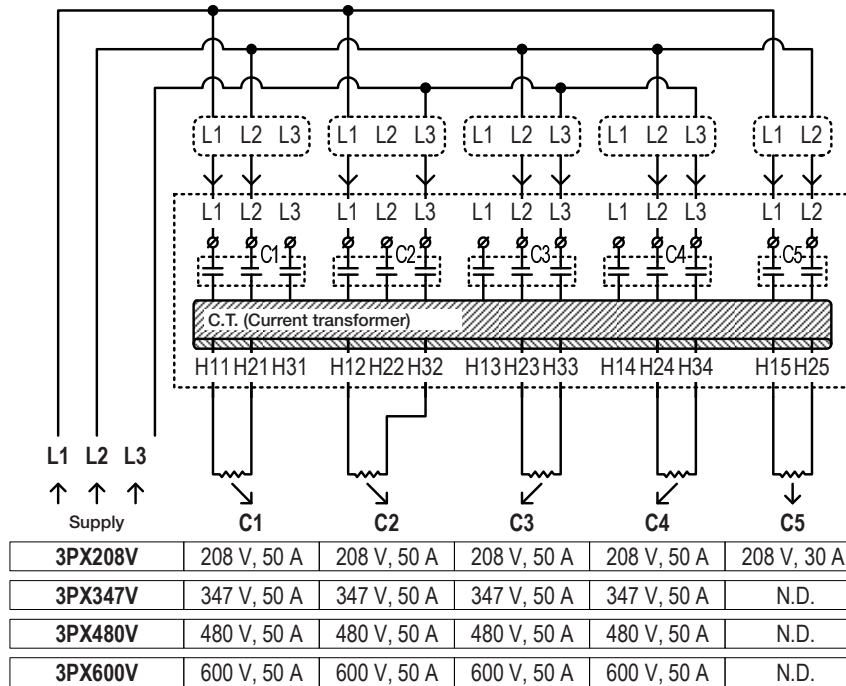
Note: Contactors 1 and 2 can be connected to any combination of 1 or 3 (triangle transform) heaters with and without neutral. Example: Contactor C1 connected to 3 heaters (triangle transform) and contactor C2 connected to 1 heater.

PYROBOX5 | SUPPLY 3P WITHOUT NEUTRAL

7

OPTION 1

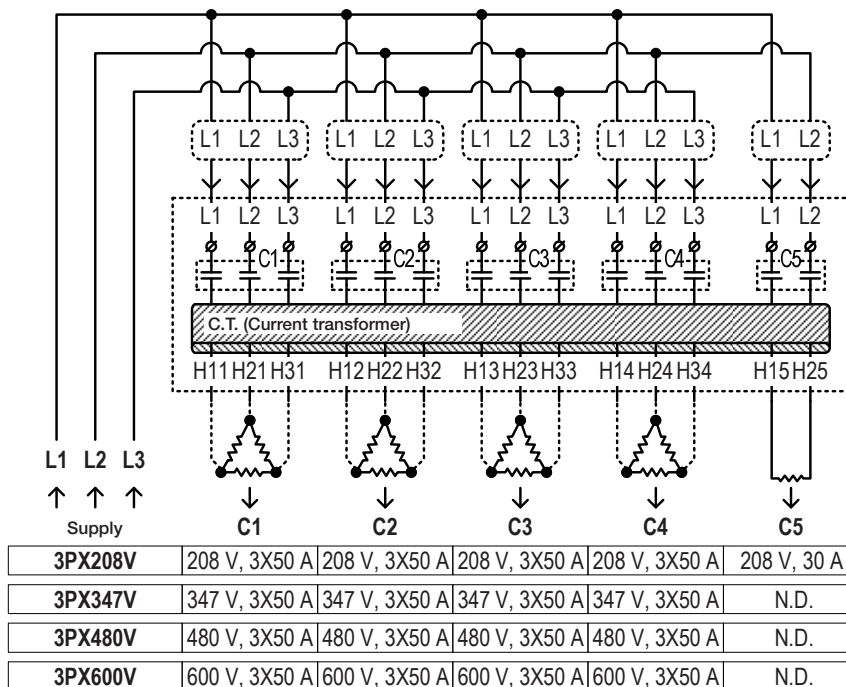
1 heater per contactors C1, C2, C3, C4 and C5



8

OPTION 2

3 heaters per contactors C1, C2, C3 and C4 (triangle transform) and 1 heater per contactor C5



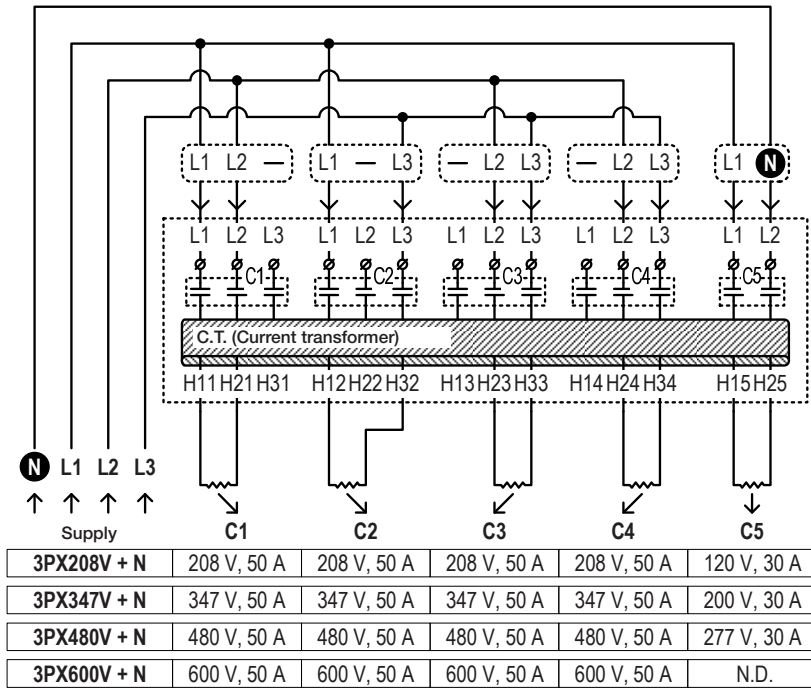
Note: Contactors 1 and 2 can be connected to any combination of 1 or 3 (triangle transform) heaters. Example: Contactor C1 can be connected to 3 heaters (triangle transform) and contactor C2 can be connected to 1 heater.

PYROBOX5 | SUPPLY 3P WITH NEUTRAL CONNECTED TO C5

9

OPTION 1

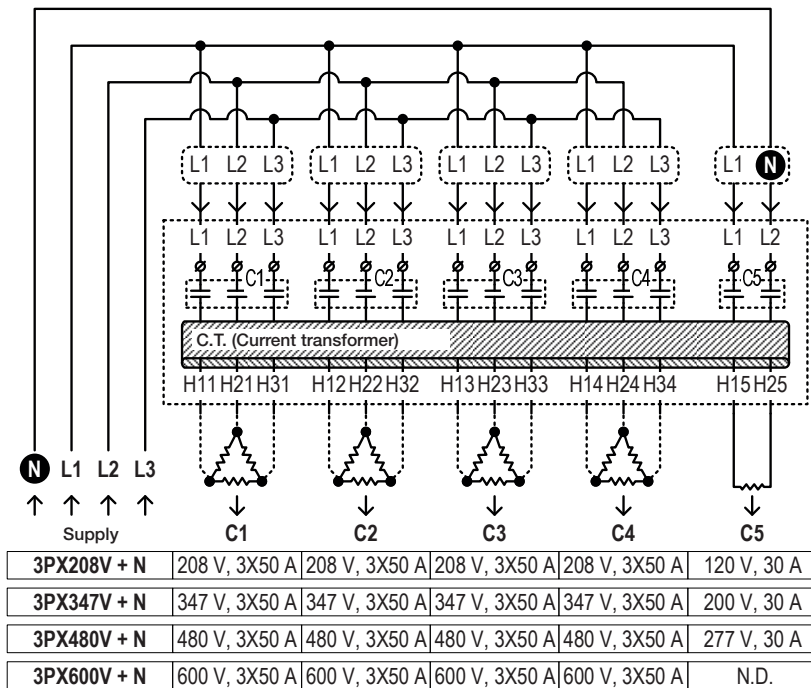
1 heater per contactors C1, C2, C3, C4 and C5



10

OPTION 2

3 heaters per contactors C1, C2, C3 and C4 (triangle transform) and 1 heater per contactor C5

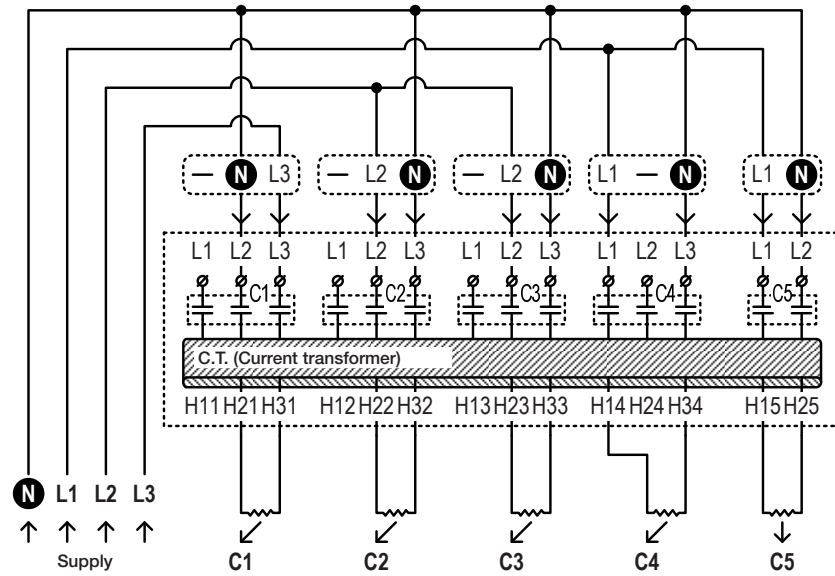


Note: Contactors 1 and 2 can be connected to any combination of 1 or 3 (triangle transform) heaters. Example: Contactor C1 can be connected to 3 heaters (triangle transform) and contactor C2 can be connected to 1 heater.

11

OPTION 3

1 heater per contactors C1, C2, C3 and C4 and C5 (Neutral connected to C1, C2, C3, C4 and C5)



3PX208V + N	120 V, 50 A	120 V, 50 A	120 V, 50 A	120 V, 50 A	120 V, 30 A
3PX347V + N	200 V, 50 A	200 V, 50 A	200 V, 50 A	200 V, 50 A	200 V, 30 A
3PX480V + N	277 V, 50 A	277 V, 50 A	277 V, 50 A	277 V, 50 A	277 V, 30 A
3PX600V + N	347 V, 50 A	347 V, 50 A	347 V, 50 A	347 V, 50 A	N.D.

Note : Contactors 1, 2, 3 and 4 can be connected to any combination of 1 or 3 (triangle transform) heaters with and without neutral. Example: Contactor C1, C2 and C3 connected to 3 heaters (triangle transform) and contactor C2 connected to 1 heater.

THANK YOU FOR YOUR PURCHASE!

QUESTION? PROBLEM? CONTACT STELPRO CUSTOMER SERVICE.

WWW.STELPRO.COM

CONTACT@STELPRO.COM

1-844-STELPRO