

OWNER'S MANUAL

°STELPRO

NON-PROGRAMMABLE ELECTRONIC THERMOSTAT
FOR BASEBOARDS AND CONVECTORS

ST252NP ST302NP ST402NP



1-844-STELPRO
WWW.STELPRO.COM

IMPORTANT INSTRUCTIONS

THE THERMOSTAT MUST BE INSTALLED BY A CERTIFIED
ELECTRICIAN.

Connect the thermostat to a 120 to 240 VAC power source ONLY and
comply with load limits.

WARNING – HIGH VOLTAGE

Turn off the power supply before installation and main-
tenance. Leave at least 12 in. (30 cm) clearance around
the thermostat to ensure that it is properly vented.

SAVE THESE INSTRUCTIONS

TECHNICAL SPECIFICATIONS

VOLTAGE AND LOAD

PRODUCT CODE	SUPPLY VOLTAGE	LOAD AT 120 V	LOAD AT 240 V
	VOLTS	WATTS	WATTS
ST252NP	120-240	150-1250	300-2500
ST302NP		150-1500	300-3000
ST402NP		150-2000	300-4000

Load control type	Resistive
Frequency	60 Hz
Storage temperature	-40°C to 50°C (-40°F to 122°F)
Operating temperature	-20°C to 50°C (-4°F to 122°F). LC display less effective below 0°C (32°F)
Humidity	5% to 98% without condensation
Action	Type 1.Y
Pollution degree	2
Software	Class A
Rated impulse voltage	Category II (1500 V)
Independently mounted control for surface mounting	
Thermistor used as a sensor, carries no load current	
Overload protection device external to the control: circuit breaker (refer to local electrical code)	

BEFORE YOU GET STARTED

- The box contains one (1) thermostat with mounting plate, two (2) mounting screws, two (2) twist-on wire connectors and one (1) owner's manual.
- To install this thermostat, you will need a #2 Phillips screwdriver.
- Install your thermostat about 5 ft (1.5 m) from the floor on an inside wall facing the heating system.

EN1

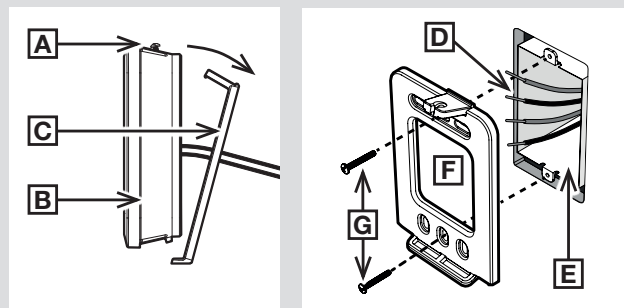
INSTALLATION

1 ATTACH THE MOUNTING PLATE

WARNING

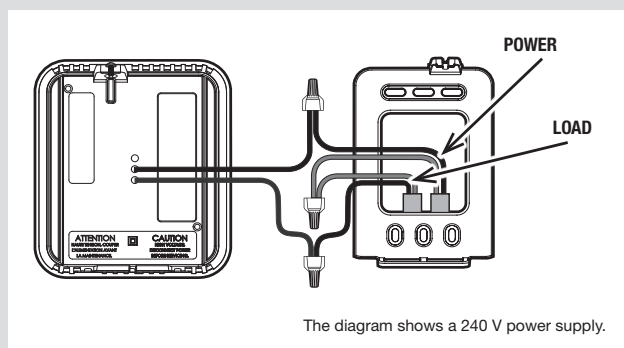
Turn off the power supply.

- Loosen the screw [A] at the top of the thermostat [B] without removing it.
- Separate the mounting plate [C] from the thermostat. Pull the top of the plate and rotate it as shown.
- Take the power wires [D] out of the junction box [E] and run them through the large opening in the center of the mounting plate [F].
- Using the two (2) mounting screws provided [G], attach the thermostat mounting plate to the junction box [E]. The plate can be centered on the junction box or shifted to the left or right.



2 CONNECT THE POWER SUPPLY WIRES

- Complete the thermostat's electrical connection according to the diagram below. Tighten the wires securely in the supplied wire connectors.
- Push the wires and connectors into the electrical box.



WARNING

Incorrectly connected electrical wires could
result in a fire hazard.

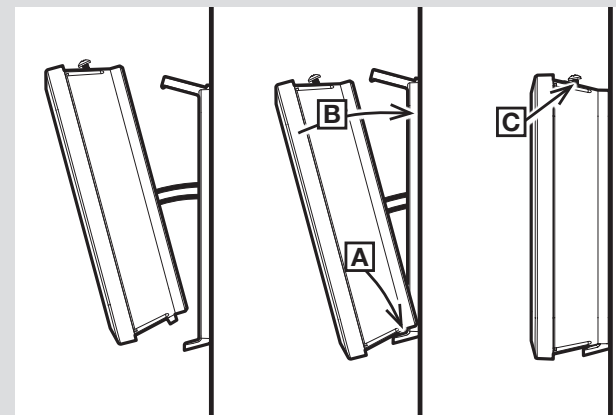
NOTE: If the electrical wires are aluminum, use CO/ALR
connectors instead (not supplied).

EN2

INSTALLATION – CONT'D

3 ATTACH THE THERMOSTAT

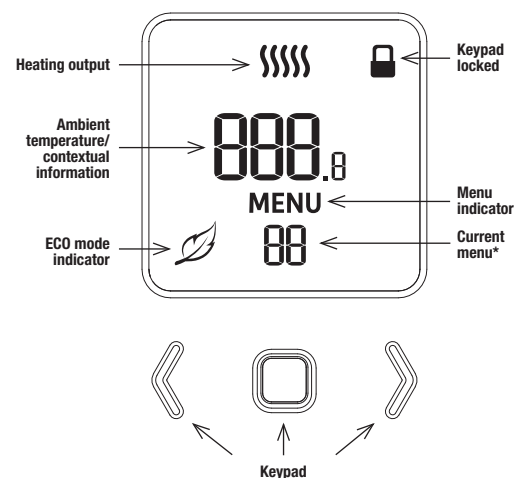
- Using the alignment guide, hook the bottom [A] of the thermostat into the bottom of the plate. Be sure not to jam the wires between the thermostat and mounting plate.
- Rotate the thermostat upwards [B] and attach it on the top hook of the mounting plate.
- Tighten the screw at the top of the thermostat [C] to hold it in place securely.
- Restore the power at the circuit breaker.



NOTE: If you need to remove the thermostat, follow step 1 in
section 1, then use a straight screwdriver to unhook it from the
top of the mounting plate.

INTERFACE

This is a non-programmable thermostat. The temperature
setpoint remains constant unless you change it.



*Displays only when using the advanced menus.

Touch the keypad once to activate the backlight, then you
can make changes.

EN3

INITIAL SETTINGS

To begin with, follow the on-screen instructions to adjust your
thermostat's settings. Press or to change your selection
and to confirm.

- Temperature format: °C / °F (Celsius / Fahrenheit)
- ECO mode setpoint temperature (5°C to 30°C / 41°F to 86°F). By default, the ECO mode setpoint is 17°C / 63°F.

Your heating needs may vary according to the season
and even the time of day. To meet your needs, this ther-
mostat is equipped with two distinct modes: ECO and
COMFORT. You can switch from one mode to another
by simply pressing . ECO mode saves you money by
providing a more energy-efficient setpoint temperature
when you're sleeping or away from home.

YOUR THERMOSTAT IS NOW READY TO USE!

FEATURES

KEY FEATURES

- Press or once to lower or raise the setpoint tempe-
rature by 0.5°C / 1°F. The setpoint temperature will remain
at this value until it is changed. **Note:** If you change the
setpoint temperature while in ECO mode, the thermostat
will switch to COMFORT mode.
- Press once to switch from ECO mode to COMFORT
mode and vice versa.

ADVANCED MENU ACCESS AND USE

- Press and hold for three (3) seconds to access the
thermostat's advanced menus.
- Press or to change your selection.
- Press to confirm your selection and proceed to the
next menu.
- Press and hold for three (3) seconds to exit the
advanced menus.

ADVANCED MENUS LIST

- Menu 10** – Temperature format: °C / °F (Celsius / Fahrenheit)
- Menu 20** – ECO mode setpoint temperature (5°C to 30°C / 41°F to 86°F). By default, the ECO mode setpoint is 17°C / 63°F.
- Menu 30** – Keypad lock: ON / OFF (Lock / Unlock keypad)
- dEF** – Reset thermostat to default values: N / Y (No / Yes)

°STELPRO LIMITED WARRANTY

Limited three-year warranty. See details on www.stelpro.com.