

WARNING

Before installing and operating this product, the user and/or installer must read, understand and follow these instructions and keep them handy for future reference. If these instructions are not followed, the warranty will be considered null and void and the manufacturer deems no further responsibility for this product. The following instructions must be adhered to in order to avoid personal and serious injuries, property damages and potentially fatal electric shocks. Switch off the power at the circuit breaker/fuse before installing, repairing and cleaning the unit. Make sure the unit is appropriate for the intended use (if needed, refer to the product catalog or a representative).

1. Remove the front cover of the unit and remove the junction box cover.
2. Position the relay on the top of the voltage separator. Position the relay in the top of the junction box and install with screws. FIG. 1
3. Pass the blue wires of the relay through the hole of the separator. FIG. 2
4. Insert the control wires supplied by the installer into the baseboard electrical box through one of the knockouts (KOE). Then, insert the same wires into the voltage separator hole. Connect the low voltage wires with the relay wires using an appropriate wire nut. For the connections, refer to the diagram included with the relay.
5. Connect the wire coming from the heating element to a black wire of the relay using with a wire nut. FIG. 3
6. Connect the second black wire of the relay to a line feed (L2/N) and the thermal protection wire to line feed (L1). FIG. 4
7. Close the junction box and replace the cover, making sure the wires are well positioned.



FIG. 1

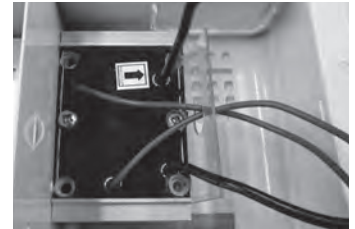


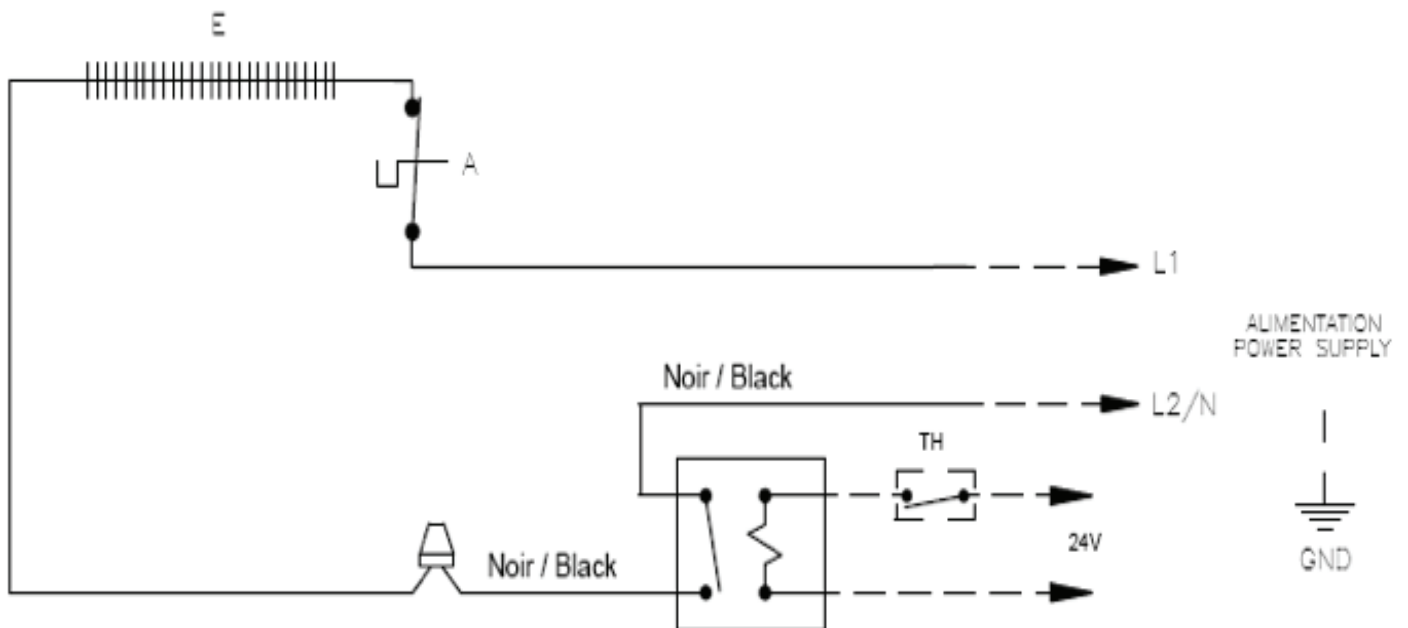
FIG. 2



FIG. 3



FIG. 4



WARNING

Before installing and operating this product, the user and/or installer must read, understand and follow these instructions and keep them handy for future reference. If these instructions are not followed, the warranty will be considered null and void and the manufacturer deems no further responsibility for this product. The following instructions must be adhered to in order to avoid personal and serious injuries, property damages and potentially fatal electric shocks. Switch off the power at the circuit breaker/fuse before installing, repairing and cleaning the unit. Make sure the unit is appropriate for the intended use (if needed, refer to the product catalog or a representative).

1. Remove the front cover of the unit and remove the junction box cover.
2. Position the relay on the top of the voltage separator. Position the relay in the top of the junction box and install with screws. FIG. 1
3. Insert the black, red and white relay wires (control side) into the hole of the voltage separator. FIG. 2
4. Insert the control wires supplied by the installer into the baseboard electrical box through one of the knock outs (KOE). Then, insert the same wires into the voltage separator hole. Connect the low voltage wires with the relay wires using an appropriate wire nut. For the connections, refer to the diagram included with the relay.
5. Connect the blue relay wire with the wire that comes from the heating element by using an appropriate wire nut. FIG. 3
6. Connect the white wire of the relay with the wire of the thermal protection and the line feed wire (L1) and connect the black wire of the relay (power side) to the line feed (L2/N). FIG. 4
7. Close the junction box and replace the cover, making sure the wires are well positioned.



FIG. 1



FIG. 2



FIG. 3



FIG. 4

