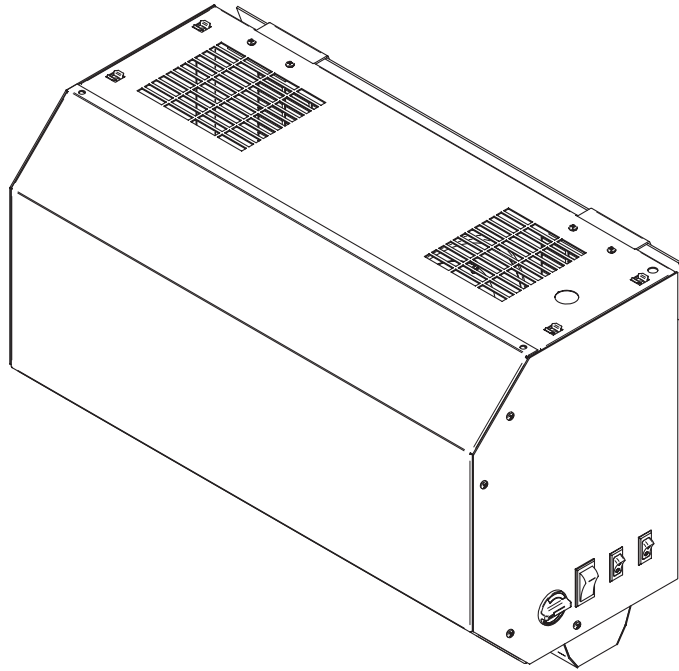




# USER'S GUIDE

## ASDC SERIES COMMERCIAL AIR CURTAIN

REPLACEMENT COMPONENT LIST INCLUDED



This unit  
complies with  
the CSA and  
UL standards



### WARNING

### IMPORTANT INSTRUCTIONS

Before installing and operating this product, the user and/or installer must read, understand and follow these instructions and keep them handy for future reference. If these instructions are not followed, the warranty will be considered null and void and the manufacturer deems no further responsibility for this product.

This product must be installed by a qualified person and connected by a **certified electrician**, according to the **electrical and building codes** effective in your region.

The following instructions must be adhered to in order to avoid personal injuries or property damages, serious injuries and potentially fatal electric shocks.

Make sure that all screws and electrical terminal connections are tightly secured before operating the unit in case they would have loosened during transportation.

Protect the heating unit with the appropriate circuit breaker or fuse, in accordance with the nameplate.

Make sure the line voltage (volt) is consistent with that indicated on the unit's nameplate.

This unit must be **grounded**.

Switch off the power at the circuit breaker/fuse before installing, repairing and cleaning the unit.

Make sure the unit is appropriate for the intended use (if needed, refer to the product catalog or a representative). Use this heater only as described in this manual. Any other use not recommended by the manufacturer may cause fire, electric shock, or injury to persons. Do not use outdoors.

#### RECOMMENDED HEATING CAPACITY:

**1.25 W/cubic foot (0.03 m<sup>3</sup>).**

It corresponds to **10 W/square foot (0.09 m<sup>2</sup>)** based on a standard ceiling height of 8 feet (2.44 m).

Do not install the unit where objects or pieces of furniture could be heat damaged.

If the unit's capacity is insufficient for the size of the room, it will be in operation continuously, and may become defective earlier and turn yellow.

**Respect distances and positions** indicated in the installation section.

If the installer or user modifies the unit, they will be held responsible for any damage resulting from this modification, and the CSA certification could be void.

This unit must not come into contact with a water source and must be protected from splashes (e.g. a wet mop). Do not use it if any part has been immersed. Moreover, do not turn it on or off when standing in water or if your hands are wet.

When cutting or drilling into a wall, do not damage electrical wiring and other hidden utilities.

# SPECIFICATIONS AND TECHNICAL DRAWINGS

## ⚠ WARNING

Do not install this product on walls made of synthetic material such as, but not limited to, carpet and wallpaper.

When starting up the unit for the first time or after a long period, it is normal that it produces some temporary odours and whitish smoke.

Because this unit is hot when in use, it may pose risks even in normal operation. Therefore, be **careful** and **responsible** when using it. To avoid burns, do not let bare skin touch hot surfaces. Let the unit cool down for few minutes before handling (it will stay warm for some time after shut-down). Extreme caution is necessary when any heater is used by or near children or invalids and whenever the heater is left operating and unattended.

It is the user's responsibility to ensure that objects including, but not limited to, shelves or plastic containers do not come in contact with the unit and to keep them at least 24 inches (61 cm) from the unit.

Never block air vents (with objects or other items). You risk damaging the heater and the obstruction could lead to electric shock or overheating, which could result in a fire.

Do not insert or allow foreign objects to enter any air vent as this may cause electric shocks, a fire, or damages to the unit.

This unit has hot and arcing or sparking parts inside. It is not designed to be used or stored in wet areas or areas containing flammable liquids, combustible materials or corrosive, abrasive, chemical, explosive and flammable substances such as, but not limited to, gasoline, paint, chlorine, sawdust and cleaning products.

Some areas are dustier than others. Thus, it is the user's responsibility to evaluate if the unit must be cleaned based on the amount of dirt accumulated on and inside air vents. Accumulated dirt can lead to a component malfunction or give a yellowish colour to unit. Failure to install and maintain unit in accordance with these instructions poses a fire hazard.

Thermal protection activation indicates that the unit has been subjected to abnormal operating conditions. If the thermal protection remains activated or activates and deactivates repeatedly, it is recommended that a qualified electrician or a certified repair centre examine the unit in order to make sure it is not damaged. (Refer to the limited warranty)

Before unplugging the unit, all controls must be in the "OFF" position and the current from the main breaker panel should be cut. (The general switch may be used also, if included.)

If the unit is damaged or defective, discontinue use, cut off power supply at circuit breaker and contact a certified electrician or certified repair centre. (Refer to the limited warranty)

## SAVE THESE INSTRUCTIONS

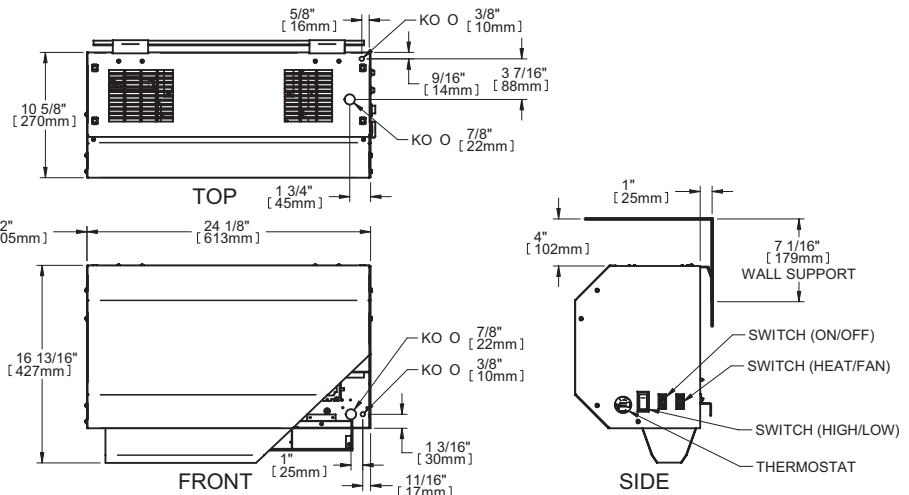
**Note:** When a part of the product specification must be changed to improve operability or other functions, priority is given to the product specification itself. In such instances, the instruction manual may not entirely match all the functions of the actual product. Therefore, the actual product and packaging, as well as the name and illustration, may differ from the manual.

## SPECIFICATIONS

| 24 V CONTROL | POWER HIGH/LOW | VOLTAGE | PHASE | POWER HIGH/LOW | LENGTH | WEIGHT | FLOW |
|--------------|----------------|---------|-------|----------------|--------|--------|------|
| 24 V CONTROL | WATTS          | VOLTS   | PH.   | BTU            | MM     | IN.    | KG   |
| ASDC0581C24  | 5000/2500      | 208     | 1     | 10239/17065    | 613    | 24 1/8 | 23,6 |
| ASDC0583C24  | 5000/2500      | 208     | 3     | 10239/17065    | 613    | 24 1/8 | 23,6 |
| ASDC0521C24  | 5000/2500      | 240     | 1     | 10239/17065    | 613    | 24 1/8 | 23,6 |
| ASDC0571C24  | 5000/2500      | 277     | 1     | 10239/17065    | 613    | 24 1/8 | 23,6 |
| ASDC0531C24  | 5000/2500      | 347     | 1     | 10239/17065    | 613    | 24 1/8 | 23,6 |
| ASDC0551C24  | 5000/2500      | 480     | 1     | 10239/17065    | 613    | 24 1/8 | 23,6 |
| ASDC0553C24  | 5000/2500      | 480     | 3     | 10239/17065    | 613    | 24 1/8 | 23,6 |
| ASDC0561C24  | 5000/2500      | 600     | 1     | 10239/17065    | 613    | 24 1/8 | 23,6 |
| ASDC0563C24  | 5000/2500      | 600     | 3     | 10239/17065    | 613    | 24 1/8 | 23,6 |

Add **W** for white or **SW** for silica white. Please consult our product catalog to know the other available options.

## TECHNICAL DRAWINGS



# INSTALLATION

## INSTALLATION

### SUPPLIED PARTS :

- Four (4) mounting brackets
- Six (6) screws
- One (1) wall bracket

Unit requires a minimum mounting height of 6 feet (1.83 m) from finished floor.

**N.B. Cut off power supply at circuit breaker/fuse before proceeding to the installation and wiring connections. This product must be connected by a certified electrician, according to the electrical and building codes effective in your region. Consult the wiring plan found on the unit.**

**To reduce the risk of fire, do not store or use gasoline or other flammable vapors and liquids in the vicinity of the heater. Do not mount in contact with combustible material. Do not mount in close proximity to another unit. Moreover, you must never lift the unit using the fan cage.**

### WALL INSTALLATION

- 1 SECURE THE FOUR (4) MOUNTING BRACKETS TO THE UNIT USING THE PROVIDED SCREWS.

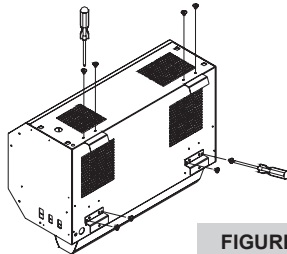


FIGURE 1

- 2 UNSCREW THE FRONT COVER, REMOVE IT AND SET IT ASIDE.

- 3 SCREW THE WALL BRACKET ONTO THE WALL. MAKE SURE TO SCREW IT IN STUDS, BECAUSE THE UNIT REQUIRES A SOLID ANCHORING.

- 4 HOOK THE UNIT ONTO THE WALL BRACKET.

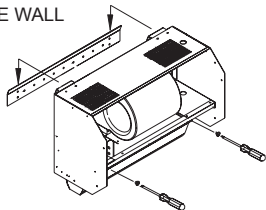


FIGURE 2

- 5 SCREW THE BOTTOM OF THE UNIT INTO THE WALL USING TWO (2) SCREWS. (SEE FIG. 2)

- 6 MAKE ELECTRICAL CONNECTIONS REFERRING TO THE WIRING DIAGRAM INSIDE THE FRONT COVER.

- 7 CHECK IF THE UNIT RUNS PROPERLY.

- 8 PUT BACK THE FRONT COVER ONTO THE UNIT AND SECURE IT.

**N.B. INSTALL THE UNIT AT LEAST 4 INCHES FROM THE CEILING.**

### CEILING INSTALLATION

- 1 UNSCREW THE FRONT COVER, REMOVE IT AND SET IT ASIDE.

- 2 INSERT FOUR (4) 3/8-16 THREADED RODS (NOT INCLUDED) INTO THE SPRING NUTS LOCATED AT THE FOUR CORNERS OF THE UNIT.

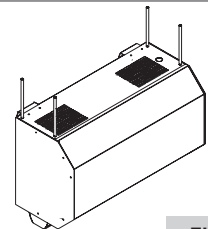


FIGURE 3

- 3 SCREW NUTS AND WASHERS (NOT INCLUDED) INSIDE THE CABINET TO RETAIN THE RODS.

- 4 MAKE SURE THE CEILING IS STRONG ENOUGH TO SUPPORT THE WEIGHT OF THE UNIT. IF NEEDED, SOLIDIFY IT. THEN, DRILL FOUR (4) HOLES INTO THE CEILING (5/8") IN ORDER TO INSERT THE RODS.

- 5 INSERT THE THREADED RODS INTO THE DRILLED HOLES AND SECURE THEM USING NUTS AND WASHERS.

- 6 MAKE ELECTRICAL CONNECTIONS REFERRING TO THE WIRING DIAGRAM INSIDE THE FRONT COVER.

- 7 CHECK IF THE UNIT RUNS PROPERLY.

- 8 PUT BACK THE FRONT COVER ONTO THE UNIT AND SECURE IT.

**N.B. INSTALL THE UNIT AT LEAST 4 INCHES FROM THE CEILING.**

### WINDOW INSTALLATION

- 1 BUILD TWO (2) STUDS USING ALUMINUM ANGLE IRON (1" X 1") AND DRILL ONE (1) 1/4" HOLE AT 5 1/2" FROM THE TOP OF THESE STUDS.

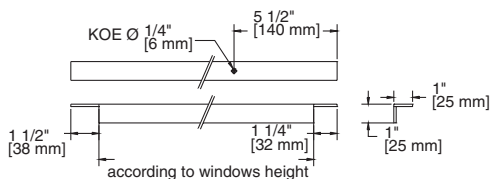


FIGURE 4

- 2 SCREW THE WALL BRACKET INTO THE HOLES OF THE STUDS.

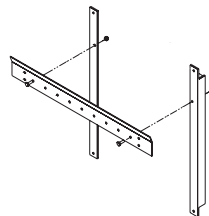


FIGURE 5

- 3 SECURE THE FOUR (4) MOUNTING BRACKETS TO THE UNIT USING THE PROVIDED SCREWS.

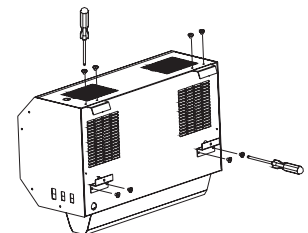


FIGURE 6

- 4 UNSCREW THE UNIT COVER, REMOVE IT AND PUT IT ASIDE.

# INSTALLATION, OPERATION AND MAINTENANCE

**5** FIX THE UNIT TO THE STUDS USING TWO SELF-DRILLING SCREWS (SCREW THEM INTO THE HOLES LOCATED AT THE BOTTOM OF THE UNIT).

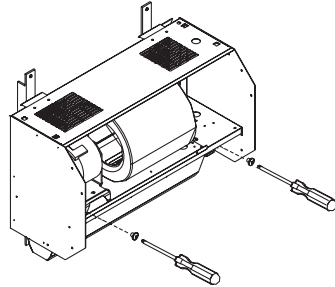


FIGURE 7

**6** FIX THE ASSEMBLY ABOVE THE WINDOW FRAMING.

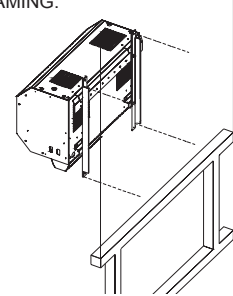


FIGURE 8

**7** MAKE ELECTRICAL CONNECTIONS REFERRING TO THE WIRING DIAGRAM INSIDE THE FRONT COVER.

**8** CHECK IF THE UNIT RUNS PROPERLY.

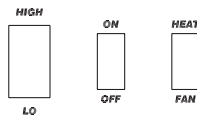
**9** PUT BACK THE FRONT COVER ONTO THE UNIT AND SECURE IT.

**N.B.** Install the unit at least 4 inches from the ceiling.

## OPERATION

**Warning:** the heater must be properly installed before it is used.

| BUTTONS                     |          |                             |
|-----------------------------|----------|-----------------------------|
| ON                          | OFF      | HI                          |
| URNS ON                     | URNS OFF | FULL POWER,<br>MAXIMUM FLOW |
| LOW                         | HEAT     | FAN                         |
| HALF POWER,<br>REDUCED FLOW | HEATING  | VENTILATION                 |



## MAINTENANCE



All other repairs and maintenance other than those described in this guide should be performed by qualified service personnel. In order for the warranty to be valid, the unit must be cleaned regularly. Cut off power supply at circuit breaker/fuse and wait for the unit to cool down before cleaning.

Use a soft rag for dusting. When cleaning, use only a damp rag and non-abrasive dish soap. Do not use abrasive or chemical cleaners because they may damage the finishing. If the unit is used in a very dusty location, use a vacuum brush to remove dust and other foreign objects from the grilles. If needed, vacuum out the dust inside the unit. Note that cigarette smoke could yellow the discharge grille and that the best way to prevent it is to clean the unit on a regular basis.

Do not use cleaning products identified with these symbols:



**N.B.** Note that there is electrical current linked to the unit even if the thermostat is set off. This means that there is a risk of electric shock as long as the unit is energized.

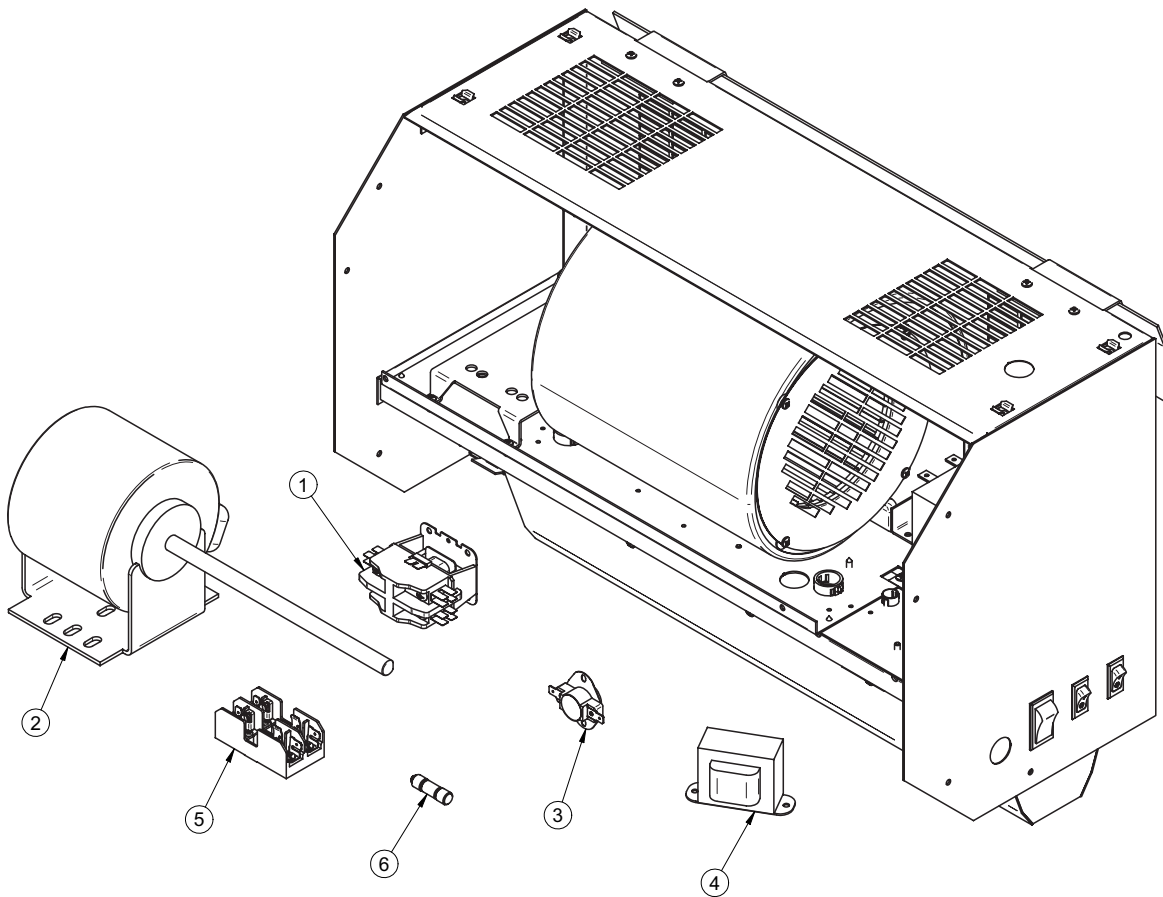
## TROUBLESHOOTING

| PROBLEM  | DEFECTIVE PART OR PART TO CHECK  |
|--|--|
| The unit does not come on  | <ul style="list-style-type: none"> <li>The circuit breaker is in the OFF position</li> <li>Open circuit breaker or fuse</li> <li>The thermal protection has been activated</li> <li>Faulty connections</li> <li>Defective transformer</li> </ul> |
| The unit becomes extremely hot   | <ul style="list-style-type: none"> <li>The unit cycles under control of the thermal protection or it is defective</li> <li>Blocked air vents</li> <li>Defective motor</li> </ul>   |
| The unit cycles under control of the thermal protection (overheat indicator) | <ul style="list-style-type: none"> <li>Blocked air vents</li> <li>Defective motor</li> </ul>   |
| The breaker trips when the heater is turned on                               | <ul style="list-style-type: none"> <li>Faulty connections</li> <li>Voltage lower than that written on the nameplate</li> </ul>   |
| Elements are on, but the motor does not run                                  | <ul style="list-style-type: none"> <li>Defective motor</li> </ul>  |

# REPLACEMENT COMPONENT LIST

## REPLACEMENT COMPONENT LIST

| REF # | PART #     | DESCRIPTION                            |
|-------|------------|--|
| 1     | CONT-3002  | CONTACTOR 30A 2 POLES 24 V             |
| 1     | CONT-3022  | CONTACTOR 30A 2 POLES 240-208 V        |
| 1     | CONT-3503  | CONTACTOR 35A 3 POLES 24 V             |
| 1     | CONT-4023  | CONTACTOR 40A 3 POLES 240-208 V        |
| 2     | MO-026     | MOTOR 1/5HP 208/240 V                  |
| 3     | PROT-005   | THERMAL PROTECTION (AUTO.) (L175)      |
| 4     | TRF200025  | TRANSFORMER 240/24/25 VA               |
| 4     | TRF300025  | TRANSFORMER 347/24/25 VA               |
| 4     | TRF320025  | TRANSFORMER 347/240/25 VA              |
| 4     | TRF320250  | TRANSFORMER 347/240/250 VA             |
| 4     | TRF600025  | TRANSFORMER 600/24/25 VA               |
| 4     | TRF620250  | TRANSFORMER 600/240/250 VA             |
| 4     | TRF200040D | TRANSFORMER 208-240/24/40VA, CL.2 CL.B |
| 5     | HOLD-005   | FUSE HOLDER 2 POLES 600V               |
| 6     | FS-005     | FUSE 15A CLASS CC 600V T.D.            |



# LIMITED WARRANTY

This limited warranty is offered by Stelpro Design Inc. ("Stelpro") and applies to the following product made by Stelpro: model ASDC. **Please read this limited warranty carefully. Subject to the terms of this warranty,** Stelpro warrants its products and their components against defects in workmanship and/or materials for the following periods from the date of purchase: **3 years.** This warranty applies only to the original purchaser; it is non-transferable and cannot be extended.

## CLAIM PROCEDURE

If at any time during the warranty period the unit becomes defective, you must cut off the power supply at the main electrical panel and contact 1) your installer or distributor, 2) your service center or 3) Stelpro's customer service department. In all cases, you must have a **copy of the invoice** and provide the **information written on the product nameplate.** Stelpro reserves the right to examine or to ask one of its representatives to examine the product itself or any part of it before honoring the warranty. Stelpro reserves the right to replace the entire unit, refund its purchase price or repair a defective part. Please note that repairs made within the warranty period must be authorized in advance in writing by Stelpro and carried out by persons authorized by Stelpro.

Before returning a product to Stelpro, you must have a Stelpro authorization number (RMA). To obtain it, call the customer service department at: **1-800-363-3414** (electricians and distributors - French), **1-800-343-1022** (electricians and distributors - English), or **1-866-766-6020** (consumers). The authorization number must be clearly written on the parcel or it will be refused.

## CONDITIONS, EXCLUSIONS AND DISCLAIMER OF LIABILITY

This warranty is exclusive and in lieu of all other representations and warranties (except of title), expressed or implied, and Stelpro expressly disclaims and excludes any implied warranty of merchantability or implied warranty of fitness for a particular purpose.

Stelpro's liability with respect to products is limited as provided above. Stelpro shall not be subject to any other obligations or liabilities whatsoever, whether based on contract, tort or other theories of law, with respect to goods or services furnished by it, or any undertakings, acts or omissions relating thereto. Without limiting the generality of the foregoing, Stelpro expressly disclaims any liability for property or personal injury damages, penalties, special or punitive damages, damages for lost profits, loss of use of equipment, cost of capital, cost of substitute products, facilities or services, shut-downs, slowdowns, or for other types of economic loss or for claims of a dealer's customers or any third party for such damages. Stelpro specifically disclaims all consequential, incidental and contingent damages whatsoever.

This warranty does not cover any damages or failures resulting from: 1) a faulty installation or improper storage; 2) an abusive or abnormal use, lack of maintenance, improper maintenance (other than that prescribed by Stelpro) or a use other than that for which the unit was designed; 3) a natural disaster or an event out of Stelpro's control, including, but not limited to, hurricanes, tornadoes, earthquakes, terrorist attacks, wars, overvoltage, flooding, water damages, etc. This warranty does not cover any accidental or intentional losses or damages, nor does it cover damages caused by negligence of the user or owner of the product. Moreover, it does not cover the cost of disconnection, transport, and installation.

The warranty is limited to the repair or the replacement of the unit or the refund of its purchase price, **at the discretion of Stelpro.** Any parts replaced or repaired within the warranty period with the written authorization of Stelpro will be warranted for the remainder of the original warranty period. This warranty will be considered null and void and Stelpro will have the right to refuse any claims if **products have been altered** without the written authorization of Stelpro and if the nameplate numbers have been removed or modified. This warranty does not cover scratches, dents, corrosion or discoloration caused by excessive heat, chemical cleaning products and abrasive agents. It does not cover any damage that occurred during the shipping.

Some states and provinces do not allow the exclusion or limitation of incidental or consequential damages and some of them do not allow limitations on how long an implied warranty lasts, so these exclusions or limitations may not apply to you. This warranty gives you specific legal rights and you may have other rights which vary from state to state or from province to province.